

# VAR2-IPPOE-hy4-1 Medium Range Hybrid Network Illuminator



- Dedicated IP Lighting for Network Cameras
- Smart and Programmable
- Lighting that Responds to any Event
- Control Lights Individually or in Groups
- Integrated Web Interface
- Combined Infra-Red & White-Light Illumination
- Distances up to 130m (427ft) IR & 70m (230ft) WL
- PLATINUM Elite SMT LED Technology
- Hot-spot Reduction Technology (HRT)
- VARIO Interchangeable Lens System

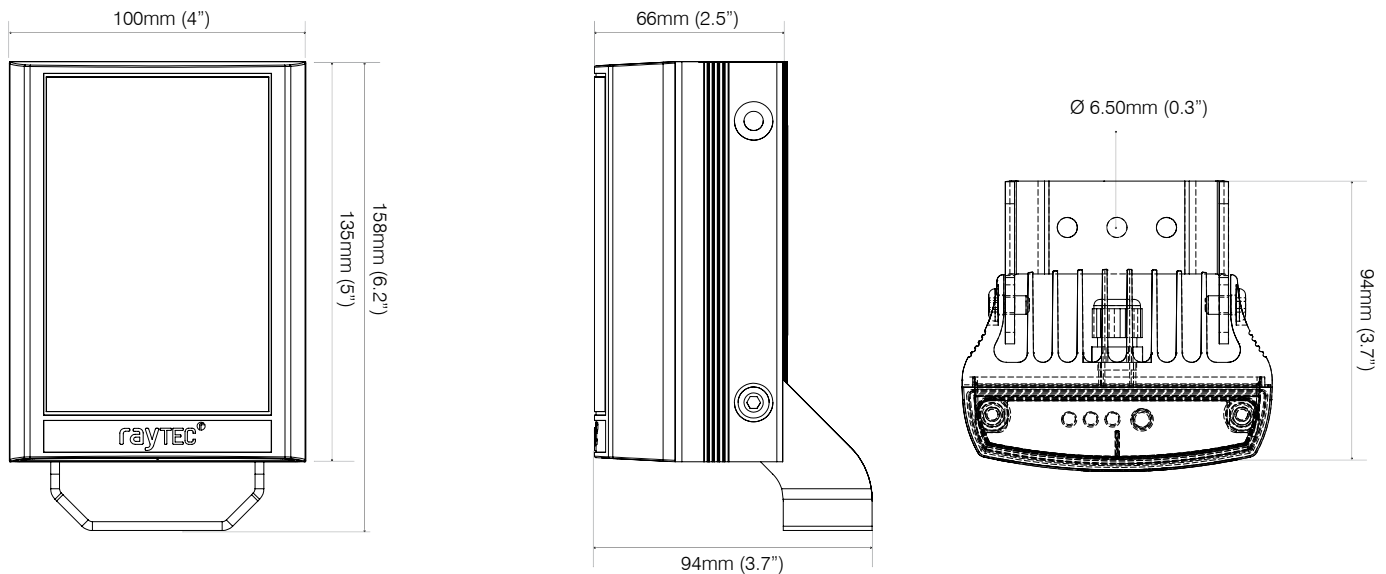
VARIO2 IP Hybrid illuminators provide dedicated high performance lighting for IP cameras. VARIO2 IP Hybrid illuminators use PLATINUM Elite SMT LED technology to deliver all the performance of a stand alone Infra-Red illuminator and a stand alone White-Light illuminator in a single, fully integrated two-in-one solution, and can be fully integrated into an IP eco-system to provide smart, situation dependent lighting.

VARIO2 IP Hybrid enables users to create dynamic lighting systems, capable of controlling illuminators individually or in groups, to automatically deliver the exact amount of light where and when it is needed, improving image quality under any condition.

Set up is quick and easy, with Discovery software provided as standard. VARIO2 IP Hybrid also reduces visits to site, minimising transport and labour costs and saving time, whilst ensuring maximum performance from your system at all times. VARIO2 IP Hybrid features an interchangeable lens system with Hot-spot Reduction Technology to deliver highly even illumination, where it is most needed, for outstanding night-time images.

The VARIO2 IP PoE hy4-1 network illuminator delivers maximum distances up to 130m (427ft) IR & 70m (230ft) WL.

## Product Dimensions



## Features

**Dedicated IP Lighting with PoE**

**Two-in-one Hybrid solution**

**Integrated Web Interface**

**Advanced User Defined Settings**

**API for Platform Integration**

**HTTP Commands as Standard**

**Platinum Elite SMT LED Technology**

**VARIO Interchangeable lens system**

**Hot-spot Reduction Technology (HRT)**

## Benefits

Remote control from any where on the network. Easy set-up, commissioning, operation and maintenance, minimising labour time and costs whilst maximising performance 24/7.

Infra-Red and White-Light in a single, fully integrated illuminator. IR for surveillance and WL for deterrent or enhanced colour picture information

Provides quick access screen for instant response to live events in real time as well as a host of advanced programmable settings.

Integrated web interface provides a host of user defined additional settings and diagnostics tools. Tailor your solution to meet the exact demands of your installation.

VARIO2 IP provides a dedicated API for seamless integration into 3rd party technology platforms such as VMS, BMS and Access Control Systems.

HTTP command functionality provides even more integration possibilities. HTTP commands can be used to control VARIO2 IP illuminators from any network enabled device.

PLATINUM Elite SMT LED technology allows VARIO2 IP Hybrid to deliver all the performance of both a stand alone Infra-Red illuminator and a stand alone White-Light illuminator in a single solution.

Angle of illumination can be easily, quickly and precisely adjusted by changing the VARIO holographic lens insert, to match the specific camera field of view.

HRT - Hot-Spot Reduction Technology delivers a highly diffused, elliptical beam shape to deliver more light where it is needed, generating both longer distances and minimizing light wastage. The HRT system also prevents overexposure of foreground objects.

## 5 YEAR WARRANTY

All Raytec luminaires are provided with an industry leading 5 year warranty and have an expected useful life in excess of 10 years



# Technical Specifications

## Illuminator

Wavelength	Infra-Red 850nm (940nm options available)	White-Light
Max Distance	130m (427ft)	70m (230ft)
Total Lumens	n/a	745lm per luminaire
Colour Temp	n/a	6000K~
Colour Reproduction Index	n/a	>70
Angle	Standard pack includes 10 circular + 35 x 10 (fitted as standard) and 60 x 25 elliptical lenses Additional optional lenses: 80 x 30 and 120 x 50	
Input	PoE+ IEEE 802.3at or 24V DC	
Consumption	15W	
Data Input	Cat 5 Cable	
Beam Shape	Elliptical with HRT (Hot-spot Reduction Technology)	
Beam Angle System	VARIO Interchangeable Lens System	
LED type	PLATINUM Elite SMT LEDs	
Number of LEDs	6 x Infra-Red, 3 x White-Light	
IP rating	IP66	
Temperature Range	- 50° to +50°C (-58 to 122°F)	
Colour	Black	
Weight	950g (2.1lbs)	
Dimensions	100 x 135 x 66mm (4" x 5" x 2.5" approx.)	
Cable Length	2 x 2.5m	
Bracketry	U bracket included VUB Bracketry also available (Optional)	
Minimum System Requirements	PC running Windows 7 with IE8 and network access.	
Country of Manufacture	United Kingdom	

## POWERS – The Open Lighting Standard

Specifications and distances based on the POWERS lighting standard  
For full POWERS data and A&E specifications please contact  
sales@rayteccctv.com

## Integrated Command and Control Technology

Hardware Features	<ul style="list-style-type: none"> <li>In-built photocell for automatic on/off operation</li> <li>Photocell following output</li> <li>External telemetry input</li> </ul>
Quick Access Software Features (provided as standard via integrated web interface)	<ul style="list-style-type: none"> <li>Individual or group control (Groups up to 16 units)</li> <li>Individual control for Infra-Red and White-Light</li> <li>Power On/Off</li> <li>Power control: 20-100%</li> <li>Boost: 120% power for 10 seconds</li> <li>Deterrent feature with selectable patterns and speed</li> </ul>
Advanced User Defined Software Features: (provided as standard via integrated web interface)	<ul style="list-style-type: none"> <li>Timer functions</li> <li>Soft start turn on</li> <li>3 x deterrent patterns</li> <li>3 x deterrent speeds</li> <li>Selectable external telemetry input: volt free or TTL</li> <li>Individually trigger Infra-Red and White-Light</li> <li>Photocell sensitivity trigger level</li> <li>Assign illuminator to group for collective control</li> <li>Administrator and user access levels</li> <li>Password Protection: create user and administrator passwords</li> <li>Assign name, group name and IP address</li> <li>Restore factory defaults</li> <li>Restart/reboot</li> <li>Software upgrade</li> <li>Standard and advanced diagnostics</li> <li>Supported protocols include HTTP, Local and VMS operating modes (including combinations)</li> <li>Ping command functionality</li> </ul>
System Integration (Application Programming Interface)	<ul style="list-style-type: none"> <li>API for integration into 3rd party platforms</li> <li>API for integration into network devices via HTTP commands</li> </ul>

## Product Codes

Part Codes	Description	Angles	Infra-Red Distances	White-Light Distances
VAR2-IPPOE-hy4-1	VARIO2 IP PoE hy4 Network Illuminator, 3 angle options included, 24V DC or PoE+ power input, black, 850nm and White-Light	10 x 10 °	130m (427ft)	70m (230ft)
		35 x 10° (fitted as standard)	70m (230ft)	42m (138ft)
		60 x 25°	49m (161ft)	22m (72ft)
		80 x 30° (optional)	32m (105ft)	16m (52ft)
		120 x 50° (optional)	22m (72ft)	12m (39ft)
VAR2-IPPOE-hy4-1-c	VARIO2 IP PoE hy4 Network Illuminator, 3 angle options included, 24V DC or PoE+ power input, black, 940nm and White-Light	Same as above	Contact Raytec	Same as above

## Optional Parts

VAR-i4-LENS-8030	Individual i4 VARIO lens – 80°H x 30°V
VAR-i4-LENS-12050	Individual i4 VARIO lens – 120°H x 50°V