

DS-2TD2528T-7/Q Explosion-Proof Optical & Thermal Network Bullet Camera



Hikvision DS-2TD2528T-7/Q Explosion-Proof Thermographic Thermal & Optical Bi-spectrum bullet camera series are applied to perimeter defense and fire-prevention in critical infrastructures such as oil industry, mine fields, chemical industry, port, and grain processing industry. It adopts 316L stainless steel material to meet the requirements of used in explosion-proof environment. The accurate temperature measurement system sends you alarms to protect your property.

Key Feature

- High sensitivity sensor with 256 × 192 resolution
- NETD is less than 40 mk (@25°C, F# = 1.0)
- Supports contrast adjustment
- Leading thermal image processing technology: Adaptive AGC, DDE, 3D DNR
- Up to 15 palettes of adjustable color
- Powerful behavior analysis functions, based on deep learning algorithm: Line crossing, intrusion, region entrance & exit
- High quality detector with 10 years warranty
- 316L Stainless Steel enclosure, protecting camera in corrosive environments and extending reliability and longevity far beyond standard cameras
- ATEX, IECEx, NEMA 4X Certificated



▪ Specification

Thermal	
Max. Resolution	256 × 192
Thermal Module	
Image sensor	Vanadium Oxide Uncooled Focal Plane Arrays
Pixel Interval	12 μm
NETD	less than 40 mk (@25°C), F# = 1.0
MRAD	1.71 mrad
Field of View	24.9° × 18.7° (H × V)
Min. Focusing Distance	0.5 m
Aperture	F1.0
Lens (Focal Length)	7 mm
Response waveband	8 μm to 14 μm
Optical Module	
Max. Resolution	2688 × 1520
Image Sensor	1/2.7" Progressive Scan CMOS
Min. Illumination	Color: 0.05 Lux @ (F1.6, AGC ON), B/W: 0.01 Lux @ (F1.6, AGC ON)
Field of View	84.0° × 44.8°(H × V)
Aperture Range	F1.6
WDR	120 dB
Shutter Speed	1s to 1/100,000s
Day & Night	IR cut filter with auto switch
Focal Length	4 mm
Selection Parameter	
Case Type	Bullet
Smart Function	
VCA(Video Content Analysis)	4 VCA rule types (Line Crossing, Intrusion, Region Entrance, and Region Exiting), up to 8 VCA rules.
Temperature Measurement	3 temperature measurement rule types, 21 rules (10 points, 10 regions, and 1 line).
Temperature Range	-20°C to 550°C (-4°F to 1,022°F)
Temperature Accuracy	Max (± 2°C, ± 2%)
Infrared	
IR Distance	up to 30 m
IR Intensity and Angle	Automatically adjusted
Network	
Main Stream	Thermal: 25 fps (1280 × 720, 704 × 576, 640 × 512, 320 × 240) Optical: 50 Hz: 25 fps (2688 × 1520, 1920 × 1080, 1280 × 720) 60Hz: 30 fps (2688 × 1520, 1920 × 1080, 1280 × 720)
Sub stream	Thermal: 25 fps (704 × 576, 640 × 512, 320 × 240) Optical: 50 Hz: 25 fps (704 × 576, 352 × 288) 60 Hz: 30 fps (704 × 480, 352 × 240)

Video compression	H.265/H.264/MJPEG, H.265+/H.264+ encoding with Baseline/Main/High Profile
Audio compression	G.711u/G.711a/G.722.1/MP2L2/G.726/PCM
Protocols	IPv4/IPv6, HTTP, HTTPS, 802.1x, Qos, FTP, SMTP, UPnP, SNMP, DNS, DDNS, NTP, RTSP, RTCP, RTP, TCP, UDP, IGMP, ICMP, DHCP, PPPoE
Simultaneous live view	Up to 20
User/Host level	Up to 32 users, 3 levels: Administrator, Operator, User
Security measures	User authentication (ID and Password), MAC address binding, HTTPS encryption, IEEE 802.1x access control, IP address filtering
Integration	
Alarm Input	2-ch inputs (0 to 5 VDC)
Alarm Output	2-ch relay outputs, alarm response actions configurable
Alarm Action	Preset/Patrol Scan/ Pattern Scan/SD Card Record/Relay Output/Smart capture/FTP upload/Email linkage
Audio Input	Mic in/Line in interface. Line input: 2 to 2.4 V[p-p], output impedance: 1 K Ω \pm 10%
Audio Output	Linear Level; Impedance: 600 Ω
Ethernet	1 RJ45 10M/100M Self-adaptive Ethernet interface
SD Memory Card	Built-in Micro SD card slot, support Micro SD/SDHC/SDXC card (up to 256 GB), support manual/alarm recording
Application Programming	Support ISAPI, HIKVISION SDK and third-party management platform
Client	iVMS-4200
Web Browser	Google Chrome 57+, Mozilla Firefox 52+, Internet Explorer 10+, Mac Safari 12+
General	
Menu Language	English
Power	100 to 240 VAC, PoE (802.3af)
Power Consumption	100 to 240 VAC, Max. 8 W PoE (802.3af)
Work Temperature/Humidity	-40°C to 60°C (-40°F to 140°F), 90% or less
Protection Level	IP68 Standard, TVS 6000V Lightning protection, surge protection, voltage transient protection
Dimensions	286.7 mm \times 175.2 mm \times 150.1 mm (11.29" \times 6.9" \times 5.91")
Weight	Approx. 6.1 kg (13.45 lb)
Approval	
EMC	CE-EMC (EN 55032: 2015, EN 61000-3-2:2019, EN 61000-3-3: 2013+A1:2019, EN50130-4: 2011+A1: 2014); RCM (AS/NZS CISPR 32: 2015); IC (ICES-003: Issue 7)
Safety	CB: IEC 62368-1: 2014+A11; CE-LVD: EN 62368-1: 2014/A11: 2017; BIS: IS 13252 (Part 1): 2010/ IEC 60950-1: 2005
Protection	IP68: IEC 60529-2013
Explosion-Proof Protection	ATEX: II 2 G Ex db IIC T6 Gb/II 2 D Ex tb IIIC T80°C Db IECEX: Ex db IIC T6 Gb/ Ex tb IIIC T80°C Db
Anti-Corrosion Protection	NEMA 4X (NEMA 250-2018), C5

DRI Range Table

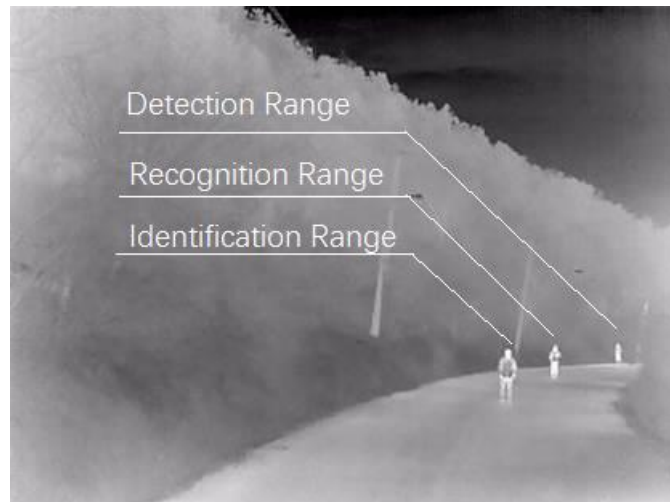
* The table is only for reference and the performance may vary according to different environment.

* The optimal detection, recognition, and identification distances are calculated according to Johnson's Criteria.

Detection Range: In order to distinguish an object from the background, the object must be covered by 1.5 or more pixels.

Recognition Range: In order to classify the object (animal, human, vehicle, etc.), the object must be covered by 6 or more pixels.

Identification Range: In order to identify the object and describe it in details, the object must be covered by 12 or more pixels.



Detection Range (Vehicles: 1.4 × 4.0 m)	Detection Range (Humans: 1.8 × 0.6 m)	Recognition Range (Vehicles: 1.4 × 4.0 m)	Recognition Range (Humans: 1.8 × 0.6 m)	Identification Range (Vehicles: 1.4 × 4.0 m)	Identification Range (Humans: 1.8 × 0.6 m)
894 m	292 m	224 m	73 m	112 m	36 m

Smart Function Table

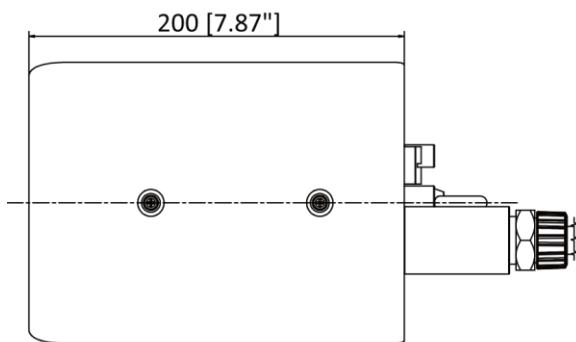
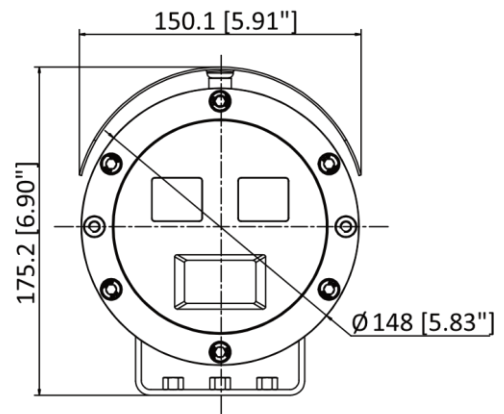
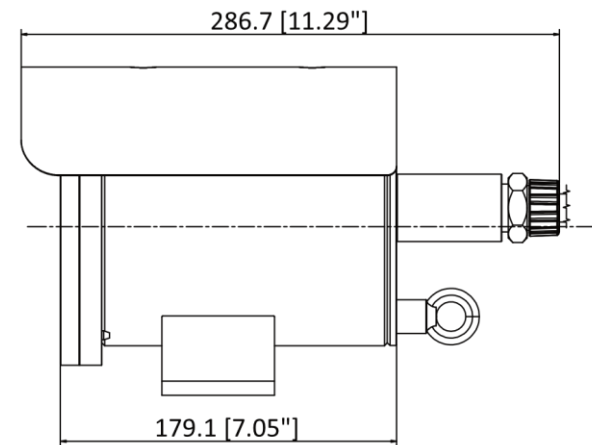
* The table is only for reference and the performance may vary according to different environment.

VCA Range (Vehicles: 1.4 × 4.0 m)	VCA Range (Humans: 1.8 × 0.6 m)	Temperature Measurement (Object: 0.2 × 0.2 m)	Temperature Measurement (Object: 0.5 × 0.5 m)
168 m	56 m	22 m	55 m

▪ Available Model

DS-2TD2528T-7/Q

▪ **Dimension**



Unit: mm[Inch]

▪ **Accessory**

▪ **Optional**



DS-1677ZJ-XS-1.0(D)
Others



DS-2780ZJ-X(OS)(O-STD)/316L

COMPLIANCE NOTICE: The thermal series products might be subject to export controls in various countries or regions, including without limitation, the United States, European Union, United Kingdom and/or other member countries of the Wassenaar Arrangement. Please consult your professional legal or compliance expert or local government authorities for any necessary export license requirements if you intend to transfer, export, re-export the thermal series products between different countries.

Distributed by

**HIKVISION®****Headquarters**

No.555 Qianmo Road, Binjiang District,
Hangzhou 310051, China
T +86-571-8807-5998
overseasbusiness@hikvision.com

Hikvision USA
T +1-909-895-0400
sales.usa@hikvision.com

Hikvision Australia
T +61-2-8599-4233
salesau@hikvision.com

Hikvision India
T +91-22-28469900
sales@pramahikvision.com

Hikvision Canada
T +1-866-200-6690
sales.canada@hikvision.com

Hikvision Thailand
T +662-275-9949
sales.thailand@hikvision.com

Hikvision Europe
T +31-23-5542770
sales.eu@hikvision.com

Hikvision Italy
T +39-0438-6902
info.it@hikvision.com

Hikvision Brazil
T +55 11 3318-0050
Latam.support@hikvision.com

Hikvision Turkey
T +90 (216)521 7070- 7074
sales.tr@hikvision.com

Hikvision Malaysia
T +601-7652-2413
sales.my@hikvision.com

Hikvision UK & Ireland
T +01628-902140
sales.uk@hikvision.com

Hikvision South Africa
Tel: +27 (10) 0351172
sale.africa@hikvision.com

Hikvision France
T +33(0)1-85-330-450
info.fr@hikvision.com

Hikvision Kazakhstan
T +7-727-9730667
nikia.panfilov@hikvision.ru

Hikvision Vietnam
T +84-974270888
sales.vt@hikvision.com

Hikvision UAE
T +971-4-4432090
salesme@hikvision.com

Hikvision Singapore
T +65-6684-4718
sg@hikvision.com

Hikvision Spain
T +34-91-737-16-55
info.es@hikvision.com

Hikvision Tashkent
T +99-87-1238-9438
uzb@hikvision.ru

Hikvision Hong Kong
T +852-2151-1761
info.hk@hikvision.com

Hikvision Russia
T +7-495-669-67-99
saleru@hikvision.com

Hikvision Korea
T +82-(0)31-731-8817
sales.korea@hikvision.com

Hikvision Poland
T +48-22-460-01-50
info.pl@hikvision.com

Hikvision Indonesia
T +62-21-2933759
Sales.Indonesia@hikvision.com

Hikvision Colombia
sales.colombia@hikvision.com