

HCB-7000PHA

4MP Analog Box Camera



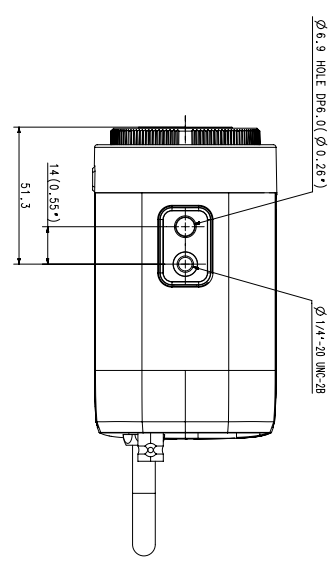
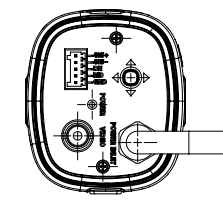
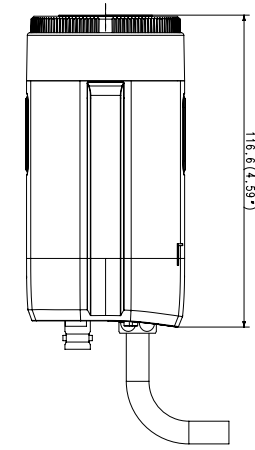
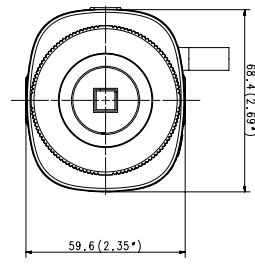
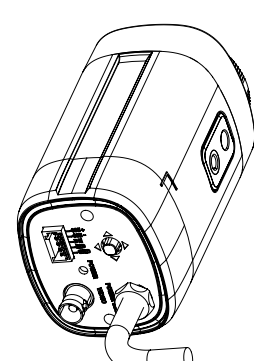
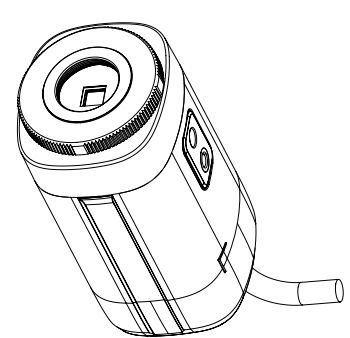
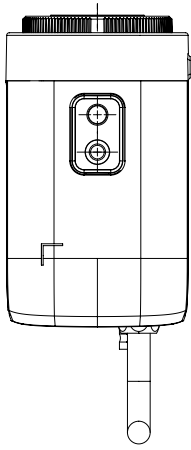
Key Features

- Max. 4MP resolution
- 0.16 Lux@F1.2 (Color), 0.009 Lux@F1.2 (B/W)
- Day & Night (ICR), Motion detection
- Transmission distance Max. 500m
- Easy installation (Plug & play)

Video	
Imaging Device	1/3" 4MP CMOS
Effective Pixels	2688(H)x1520(V)
Min. Illumination	Color: 0.16Lux(F1.2, 1/30sec) BW: 0.009Lux(F1.2, 1/30sec)
Video Output	BNC(AHD), additional CVBS for installation
Lens	
Focus Control	Manual
Lens type	DC auto iris
Mount Type	C mount, CS mount
Operational	
Day & Night	Auto(ICR)
Backlight Compensation	UserBLC, HLC, DWDR
Digital Noise Reduction	2DDNR
Motion Detection	4 zones
Privacy Masking	2 zones
Gain Control	Low / Middle / High / Very High
White Balance	ATW / AWC / Manual / Indoor / Outdoor
Electronic Shutter Speed	1/30 ~ 1/12,000sec(N), 1/25~ 1/12,000sec(P)
Video Rotation	H-Rev/V-Rev
Analytics	Motion detection
Serial Interface	RS-485(Samsung-T, Pelco-D/P)
Alarm I/O	MD Output 1ea
Coaxial Protocol	ACP(AHD Coax Protocol), CVBS: Pelco-C(Coaxitron)
Video Transmission Distance	500m(5C2V Coaxial Cable)
Network	
Resolution	2560x1440
Max. Framerate	25fps@4M(P)
Environmental	
Operating Temperature / Humidity	-10°C ~ +55°C (+14°F ~ +131°F) / Less than 90% RH
Electrical	
Input Voltage	AC230V
Power Consumption	Max 4.5W
Mechanical	
Color / Material	Black / Aluminum, Ivory / Plastic
Product dimensions / weight	59.6(W)×68.4(H)×116.6(D)mm (2.35"×2.69"×4.59"), 398g(0.88 lb)

- The latest product information / specification can be found at hanwha-security.com
- Design and specifications are subject to change without notice.
- Wisenet is the proprietary brand of Hanwha Techwin, formerly known as Samsung Techwin.

NO	PART NAME	CODE NO.	MATERIAL	QTY	REMARK
----	-----------	----------	----------	-----	--------



CHANGE

UNIT	MM	DESIGN	CHECK	APPROVAL	PART NAME	
SCALE	1/1	H/TW	-	-	HCB-6003PH/7000PH	
		17.07.26	17.07.26	17.07.26	SCB-6003PH	
HANWHA TECHWIN						CODE NO.
						057943