

AE-VC583I-IS/P (V/H)



- 1/2.7" Progressive Scan CMOS
- 8mm/12mm/16mm fixed lens
- High quality imaging with 5 MP resolution
- Clear imaging against strong back light due to 120 dB true WDR technology
- Efficient H.265+ compression technology
- Water and dust resistant (IP68 & IP69K) and vandal proof (IK10)
- Advanced streaming technology that enables smooth live view and data self-correcting in poor network
- 3D DNR technology delivers clean and sharp images
- The network camera can identify license plates in the Asia-Pacific region, the Middle East, Europe, Africa and the Americas

▪ Specification

Camera	
Sensor	1/2.7" Progressive Scan CMOS
Resolution	5MP
Min. Illumination	Color: 0.01 Lux @ (F1.6, AGC ON), 0 Lux with IR
Slow Shutter	No
Wide Dynamic Range	120 dB
Day & Night	IR cut filter
Angle Adjustment	Tilt: -25° to +55°
Power-off Memory	Yes
P/N	P/N
Protection Level	IP68(IEC 60529-2013), IP69K (ISO 20653: 2013), IK10 (IEC 62262: 2002)
Lens	
Focal Length & FOV	8 mm/12mm/16mm fixed lens 8mm: Horizontal FOV 37°, vertical FOV 28°, diagonal FOV 46° 12mm: Horizontal FOV 28°, vertical FOV 10°, diagonal FOV 30° 16mm: Horizontal FOV 17°, vertical FOV 13°, diagonal FOV 22°
Lens Mount	M12
Aperture	F1.6
Illuminator	
IR Wavelength	650 nm + 730 nm
IR Range	Up to 30 m IR range
Video	
Max. Resolution	2560 × 1920
Main Stream	50 Hz: 25 fps (2560 × 1920, 1920 × 1080, 1280 × 720); 60 Hz: 30 fps (2560 × 1920, 1920 × 1080, 1280 × 720)
Sub-Stream	50 Hz: 25 fps (704 × 576, 640 × 480); 60 Hz: 30 fps (704 × 480, 640 × 480)
Third Stream	50 Hz: 25 fps (1280 × 720)
Video Compression	Main stream: H.265/H.264/H.265+/H.264+ Sub stream: H.265/H.264/H.265+/H.264+ Third stream: H.265/H.264/H.265+/H.264+
H.264 Type	BaseLine Profile/Main Profile/High Profile
H.265 Type	Main Profile
Bit Rate Control	Constant Bit Rate, Variable Bit Rate
Video Bit Rate	First stream: 512 bps-16384 bps Second stream: 256 bps-4096 bps Third stream: 256 bps-4096 bps
Event	
Basic Event	Motion detection, video tampering alarm, exception
Smart Functions	
Recognition	License Plate Recognition (Up to 15m)
License Plate Information	Plate, No-Plate, Capture Date/Time, Coordinate (GPS), Device Name and Picture
Capture Speed Range	Up to 140km/h
Vehicle Type	Car/Motorcycle/Van/Bus/Truck/Others

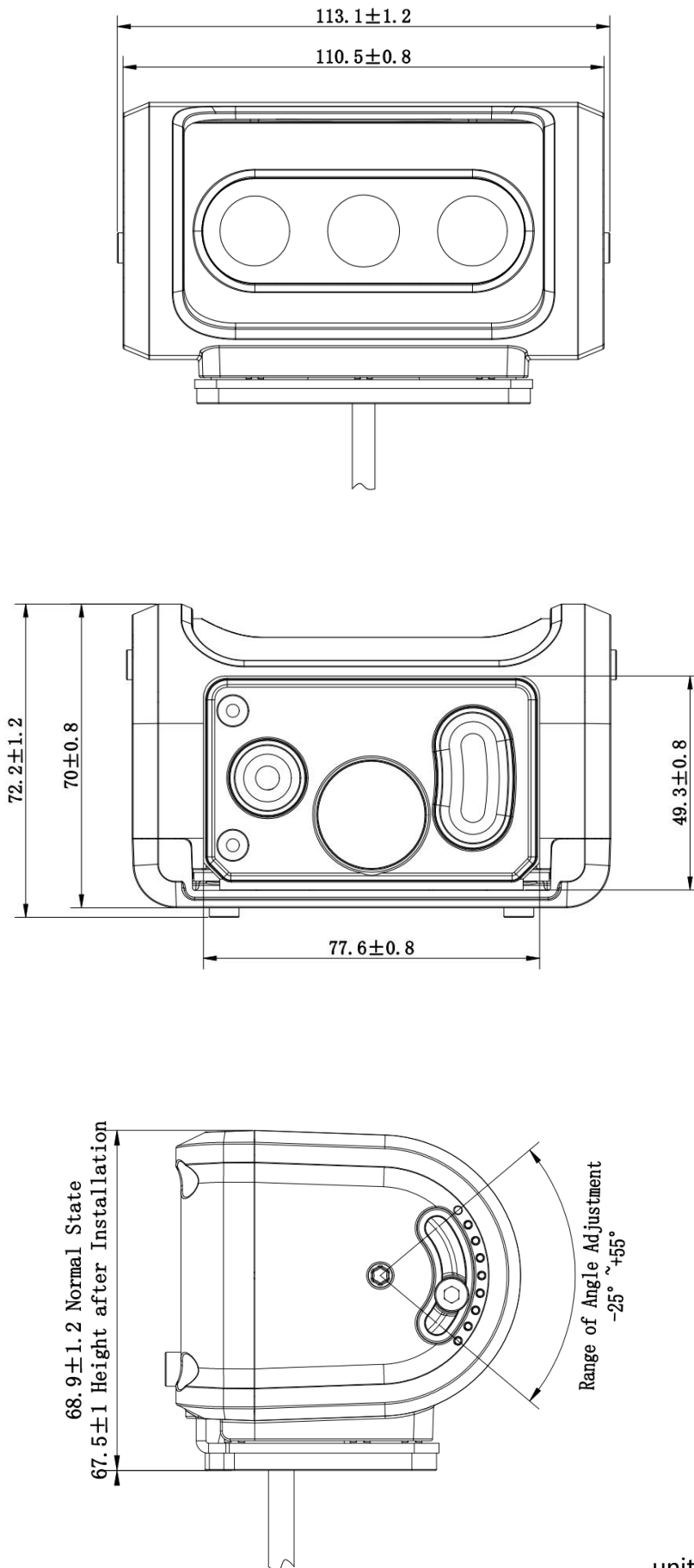
Accuracy (Under recommended installation and lighting conditions)	LPR accuracy > 93%
Countries/Regions	<p>Middle East: The United Arab Emirates (Abu Dhabi, Ajman, Dubai, Fujairah, Ras Al Khaimah, Sharjah and Umm Al Quwain), Qatar, Iran, Iraq, Egypt, Jordan, Kuwait, Saudi Arabia, Pakistan, Oman, Lebanon, Bahrain</p> <p>Africa: Nigeria, Kenya, Ivory Coast, South Africa, Tanzania, Mauritius, Morocco, Tunisia, Sierra Leone, Zambia, Ghana, Zimbabwe, Uganda, Angola, Ethiopia, Senegal, Algeria</p> <p>Asia-Pacific: Australia, New Zealand, Indonesia, Malaysia, Singapore, South Korea, Thailand, Vietnam, the Philippines, Hong Kong, Macao, Taiwan, Burma, India, Mongolia, Cambodia, Laos, Bangladesh</p> <p>America: The United States of America, Canada, Argentina, Chile, Paraguay, Uruguay, El Salvador, Bolivia, Colombia, Brazil, Ecuador, Peru, Mexico, Panama, Costa Rica, Trinidad and Tobago, the Dominican Republic, Guatemala</p> <p>Europe: Turkey, Croatia, Slovakia, Czech Republic, Bulgaria, the Republic of North Macedonia, Hungary, Greece, Poland, France, Netherlands, Switzerland, Spain, the UK, Ireland, Germany, Italy, Austria, Israel, Palestinian State, Belgium, Luxembourg, Albania, Kosovo</p> <p>Russian-Speaking Regions: Azerbaijan, Belarus, Kazakhstan, Lithuania, Georgia, Estonia, Latvia, Russia, Ukraine, Moldova, Uzbekistan, Kyrgyzstan, Armenia</p>
Network	
Protocols	TCP/IP, UDP, ICMP, HTTP, HTTPS, FTP, DHCP, DNS, DDNS, RTP, RTSP, RTCP, NTP, IGMP, QoS
Simultaneous Live View	Up to 10 channels
API	ONVIF (PROFILE S), ISAPI (JSON and XML), SDK
Security	Password protection, complicated password, HTTPS encryption, IP address filter, basic and digest authentication for HTTP/HTTPS
Web Browser	IE10+, Chrome45+,Edge41+,Firefox45+
Image	
Image Settings	Saturation, brightness, contrast, sharpness are adjustable by client software or web browser
Day/Night Switch	Day/Night/Auto/Schedule
Image Enhancement	BLC, 3D DNR
Interface	
On-Board Storage	E-MMC 8 GB
Supplement Light Unit	
Communication Interface	-RJ45: 1 RJ45 10M/100M Ethernet port, 1Φ5.5mm coaxial power plug,1 alarm in,1 alarm out; -4pin: M12-D aviation plug, 1 molex power plug,1 alarm in,1 alarm out; -6pin: 6pin aviation plug for power supply,1 alarm in,1 alarm out;
General	
Power Supply	DC: 9~36 V & PoE 802.3 af, 36-57 V
Power Consumption	9 W MAX
Camera Material	Metal
Camera Dimension	Camera: 113*72*68 mm

Storage Conditions	-30 °C to +75 °C (-22 °F to +167 °F), Humidity 95% or less (non-condensing)
Startup and Operating Conditions	-30 °C to +75 °C (-22 °F to +167 °F), Humidity 95% or less (non-condensing)
Weight	622 g ± 5 g
Language	English
General Function	Anti-flicker, heartbeat, mirror, password protection, watermark, IP address filter
Approval	
EMC	FCC (47 CFR Part 15, Subpart B); CE-EMC (EN 55032: 2015, EN 61000-3-2: 2014, EN 61000-3-3: 2013, EN 50130-4); RCM (AS/NZS CISPR 32: 2015); IC (ICES-003: Issue 6, 2016);
Safety	CB (IEC 60950-1: 2005 + Am 1: 2009 + Am 2: 2013); CE-LVD (EN 60950-1: 2005 + Am 1: 2009 + Am 2: 2013); LOA (IEC/EN 60950-1);

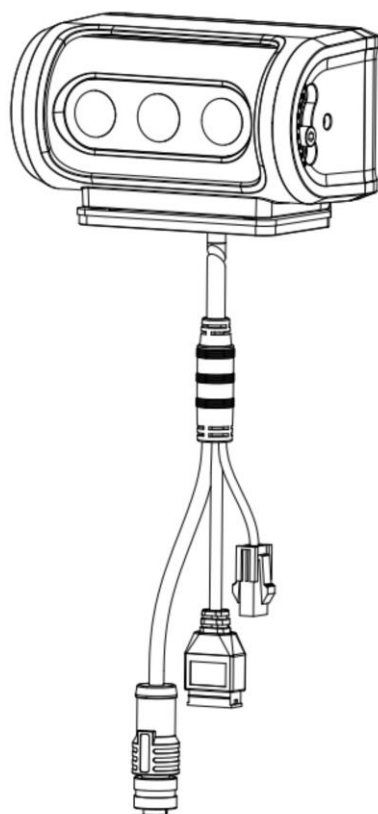
▪ Available Model

AE-VC583I-IS/P(H)(M12)(8mm)(O-STD)
 AE-VC583I-IS/P(V)(M12)(8mm)(O-STD)
 AE-VC583I-IS/P(V)(M12)(12mm)(O-STD)
 AE-VC583I-IS/P(V)(M12)(16mm)(O-STD)
 AE-VC583I-IS/P(V)(6 core)(8mm)(O-STD)
 AE-VC583I-IS/P(V)(6 core)(12mm)(O-STD)
 AE-VC583I-IS/P(V)(6 core)(16mm)(O-STD)
 AE-VC583I-IS/P(H)(M12)(12mm)(O-STD)
 AE-VC583I-IS/P(H)(M12)(16mm)(O-STD)
 AE-VC583I-IS/P(H)(6 core)(8mm)(O-STD)
 AE-VC583I-IS/P(H)(6 core)(12mm)(O-STD)
 AE-VC583I-IS/P(H)(6 core)(16mm)(O-STD)
 AE-VC583I-IS/P(H)(RJ45)(8mm)(O-STD)
 AE-VC583I-IS/P(V)(RJ45)(8mm)(O-STD)
 AE-VC583I-IS/P(V)(RJ45)(12mm)(O-STD)
 AE-VC583I-IS/P(V)(RJ45)(16mm)(O-STD)
 AE-VC583I-IS/P(H)(RJ45)(12mm)(O-STD)
 AE-VC583I-IS/P(H)(RJ45)(16mm)(O-STD)

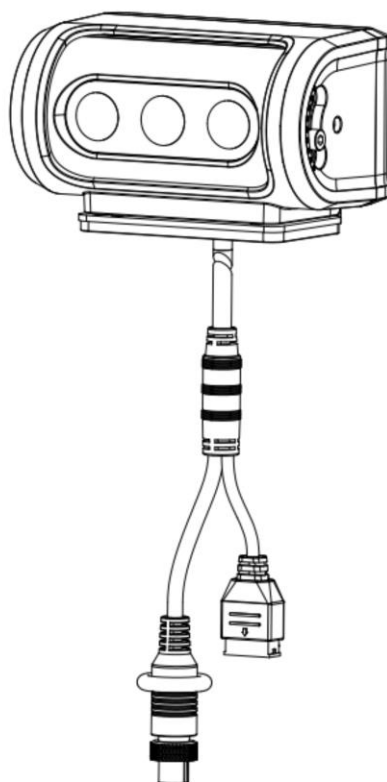
▪ Dimension



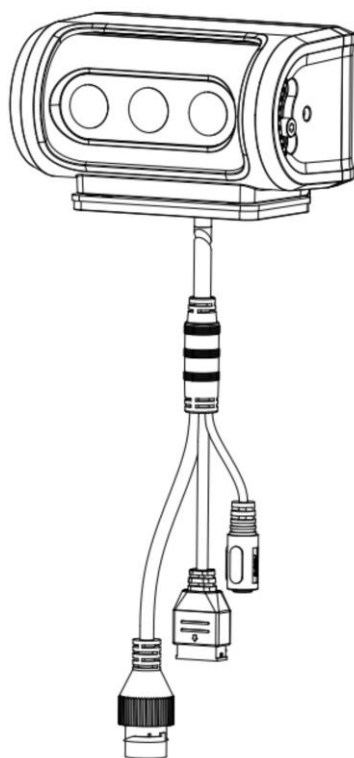
unit: mm



-6pin: 6pin aviation plug for power supply



-4pin: M12-D aviation plug, 1 molex power plug



-RJ45: 1 RJ45 10M/100M Ethernet port,
1Φ5.5mm coaxial power plug

Headquarters

No.555 Qianmo Road, Binjiang District,
Hangzhou 310051, China
T +86-571-8807-5998
www.hikvision.com



Follow us on social media to get the latest product and solution information.

