

PUNTO

SIDE OPENING TECHNOPOLYMER HOUSING

MAIN FEATURES

IP66/IP67 (with cable glands or optional sealing rings)
 Pre-arranged for internal cable management bracket
 Suitable for a variety of combinations of cameras and lenses
 Integrated heater
 Available accessories: camera power supply

DESCRIPTION

This stylish technopolymer housing has been designed to accommodate a variety of cameras and lenses
 Very easy to install thanks to the side opening system that allows the full access to the camera, lenses and all internal connections.
 The front is designed to offer protection from UV rays and atmospheric agents.
 The housing proposes various mounting options, wall or ceiling brackets, feedthrough and non-feedthrough, or Pan & Tilt head.
 A wide range of accessories for mounting the equipment is available thereby satisfying all installation needs.



PUNTO



PUNTO + SUNSHIELD



PUNTO + WBOVA2 BRACKET

AVAILABLE MODELS

Model Number	Only housing	Sunshield	Heater 120/230Vac	Heater 12Vdc/24Vac	Wall bracket WBOVA2
HOT39D0A000	✓	–	–	–	–
HOT39D1A000	–	–	✓	–	–
HOT39D1A085	–	–	✓	–	✓
HOT39D2A000	–	–	–	✓	–
HOT39D2A085	–	–	–	✓	✓
HOT39K1A000	–	✓	✓	–	–
HOT39K2A000	–	✓	–	✓	–

TECHNICAL DATA**GENERAL**

Entirely made of technopolymer
RAL9002 Colour
Stainless steel external screws

MECHANICAL

Cable glands: 2xM16
Glass window (WxH): 60/95x63mm (2.4/3.7x2.5in)
Internal usable area (WxH): 70x70mm (2.7x2.7in)
Internal usable length (with or without accessories): 250mm (9.8in)
Unit weight: 0.8kg (1.7lb)

ELECTRICAL

Power supply/Current consumption (empty version):

- From 12Vdc to 24Vdc, 1A max
- From 12Vac to 24Vac, 1A max, 50/60Hz
- From 120Vac to 230Vac, 400mA max, 50/60Hz

Power supply/Current consumption (version with heater, Ton 15°C±3°C (59°F ±5°F), Toff 22°C±3°C (77°F±5°F)):

- From 12Vdc to 24Vdc, 3A max
- From 12Vac to 24Vac, 3A max, 50/60Hz
- From 120Vac to 230Vac, 400mA max, 50/60Hz

ENVIRONMENT

Indoor/Outdoor
Operating temperature with heating: From -20°C (-4°F) to +60°C (140°F)
Chemical agents resistance

- High resistance: basics, alcohols, gas, hydrocarbon
- Good resistance: Organic acids, inorganic acids, oils
- Low resistance: Solvents

CERTIFICATIONS

CE: EN61000-6-3, EN60950-1, EN60950-22, EN50130-4
EN60529 IP66/IP67

ACCESSORIES

OHOTS	Sunshield
OHOTPS1	Wide range camera power supply IN 100-240Vac - OUT 12Vdc, 15W, for PUNTO housing
OHOTPS2	Camera power supply IN 230Vac - OUT 24Vac, 10VA, for PUNTO housing
OWBIP2	Sealing rings kit (3xM16) IP66/IP67 for WBOVA2 and WCM4A2 brackets for PUNTO, HOV, VERSO, VERSO POLAR, VERSO COMPACT, HEB, HEK housings
OSUPPIR	Bracket for mounting 1 GEKO IRH illuminator under the housing

RELATED PRODUCTS

PTH300	Horizontal/vertical Pan & Tilt
--------	--------------------------------

BRACKETS AND ADAPTORS

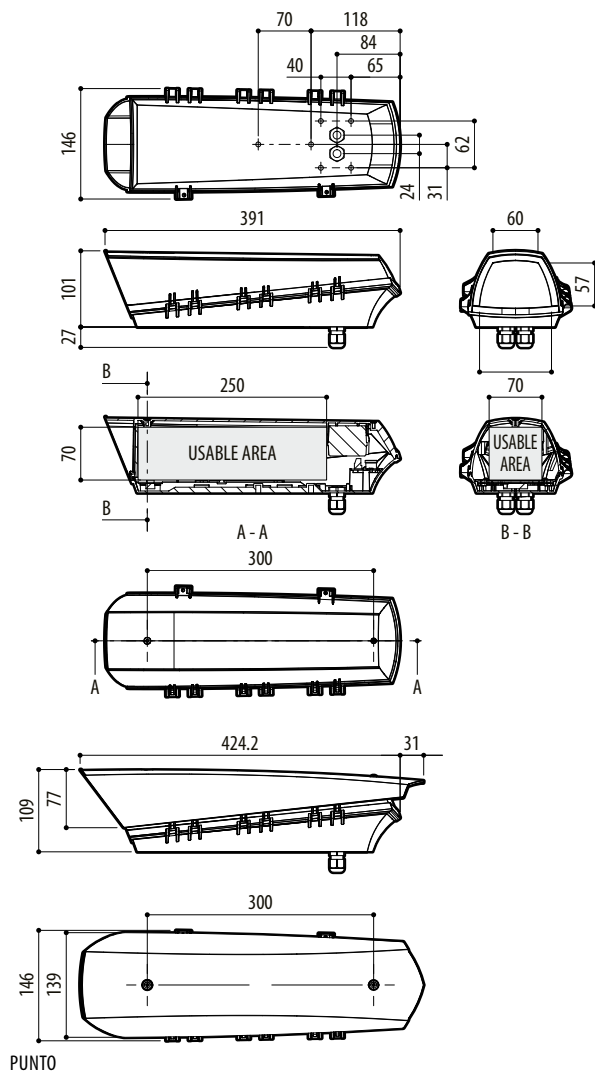
WBJA	Ceiling bracket with ball joint
WBOVA2	Wall bracket with internal cable channel
WBOV3A2	Wall bracket with internal cable channel, counterplate and support box, not compatible with OHEBVF1, OHEBVF2 and OHEBVF3
WCM3A	Ceiling bracket with ball joint
WCM5A	Ceiling bracket with ball joint
WCM4A2	Ceiling bracket with internal cable channel
WFWCA	Column bracket with joint

PACKAGE

Model Number	Weight	Dimensions (WxHxL)	Master carton
HOT39D1A000	1kg (2.2lb)	41.5x11.5x16.5cm (16x4.5x6.5in)	15
HOT39D1A085	1.7kg (3.7lb)	41.5x20x15.5cm (16.3x7.9x6.1in)	8

TECHNICAL DRAWINGS

Sizes in millimeters.



PUNTO

