

## DS-1214ZJ-AC(OS)

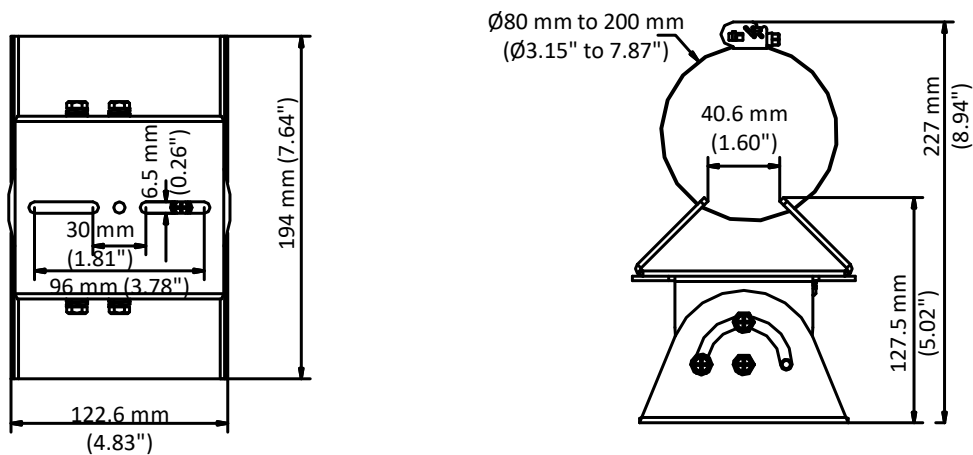
### Horizontal Pole Mount



#### Feature

- Stainless steel with anti-corrosion surface spray treatment (excluding clamps)
- Adjustable pan angle from 0° to 90°, and tilt angle from 0° to 120°
- Applies to anti-corrosion bullet camera

#### Dimension



#### Available Model

DS-1214ZJ-AC(OS)

#### Parameter

Model	DS-1214ZJ-AC(OS)
Parameters	Horizontal Pole Mount
Appearance	Silver moon grey
Material	Stainless steel
Dimension	122.6 mm × 194 mm × 227 mm (4.83" × 7.64" × 8.94")
Weight	2.14 kg (4.72 lb.)

#### Note

- The mount should be installed on the flat surface.
- The wall must be capable of supporting at least 3 times as much as the total weight of the camera, and the mount.
- The mount's maximum load capacity is 6 kg (13.23 lb.).