

## DS-2XM6756G1-I(D)(M)(/ND)



- High quality imaging with 5MP resolution
- 2/2.8/4/6/8 mm fixed lens
- Clear imaging against strong back light due to 120 dB WDR technology
- Water and dust resistant (IP67) and vandal resistant (IK10)

## ▪ Specification

| Camera                 |  |
|------------------------|--|
| Sensor                 | 1/2.8" CMOS Progressive Scan   |
| Resolution             | 5MP  |
| Min. Illumination      | 0.01 Lux @ (F1.6, AGC ON)  |
| Wide Dynamic Range     | 120 dB   |
| Day & Night            | IR Cut Filter  |
| Shutter Speed          | 1/3 s to 1/100,000 s   |
| Angle Adjustment       | Pan: -30°~+30°, tilt: 0°~75°, rotate: 0°~360°  |
| P/N                    | PAL: 25 fps<br>NTSC: 30 fps (30 fps is not supported under 2560x1920 main code stream)   |
| White Balance          | Support four white balance configurations:<br>fluorescent lamp,<br>incandescent lamp,<br>warm lamp and natural light;<br>Support manual/automatic white balance adjustment.  |
| Protection Level       | IP67, IK10   |
| Lens                   |  |
| Lens Type              | 2mm/2.8mm/4mm/6mm/8mm  |
| Focal Length & FOV     | 2 mm, horizontal FOV 122°, vertical FOV 93°, diagonal FOV 152°<br>2.8 mm, horizontal FOV 95°, vertical FOV 69°, diagonal FOV 126°<br>4 mm, horizontal FOV 78°, vertical FOV 55°, diagonal FOV 105°<br>6 mm, horizontal FOV 49°, vertical FOV 35°, diagonal FOV 63°<br>8 mm, horizontal FOV 37°, vertical FOV 28°, diagonal FOV 46° |
| Lens Mount             | M12  |
| Aperture               | 2mm: F2.25<br>2.8 /4/6 /8mm: F1.6  |
| Focus                  | Manual focus   |
| Illuminator            |  |
| IR Range               | Up to 10 m   |
| IR Wavelength          | 850nm  |
| Supplement Light Type  | Infrared fill light lamp   |
| Smart Supplement Light | Support  |
| Video                  |  |
| Max. Resolution        | 2560*1920  |
| Main Stream            | Third Stream ON: 50 Hz: 25 fps (2560x1920, 1920x1080, 1280 x 960, 1280x720) 60 Hz: 30 fps (1920x1080, 1280 x 960, 1280x720)<br>Third Stream OFF: 50 Hz: 25 fps (2560x1920, 1920x1080, 1280 x 960, 1280x720) 60 Hz: 30 fps (2560x1920, 1920x1080, 1280 x 960, 1280x720)   |
| Sub-Stream             | Third Stream ON:<br>50 Hz: 25 fps (704x576, 640x480, 352x288, 320x240)<br>60 Hz: 30 fps (704x480, 640x480, 320x240)<br>Third Stream OFF:<br>50 Hz: 25 fps (704x576, 640x480, 352x288, 320x240)<br>60 Hz: 30 fps (704x480, 640x480, 320x240)  |
| Third Stream           | Third Stream ON: 50 Hz: 25 fps (1280x720) 60 Hz: 30 fps (1280x720)<br>Third Stream OFF: 50 Hz: 25 fps (0) 60 Hz: 30 fps (0)  |

|                             |  |
|-----------------------------|--|
| Video Compression           | Main stream: H.264, H.265, H.264+, H.265+<br>Sub-stream: H.264, H.265, MJPEG<br>Third stream: H.264, H.265                               |
| Video Bit Rate              | 256 Kbps to 16 Mbps  |
| H.264 Type                  | Main Profile/High Profile  |
| H.265 Type                  | Main Profile   |
| Bit Rate Control            | Constant Bit Rate, Variable Bit Rate   |
| Stream Type                 | Main stream, sub stream, third stream  |
| Scalable Video Coding (SVC) | H.264 and H.265 encoding   |
| Region of Interest (ROI)    | Main stream:1 region<br>Sub stream:1 region  |
| <b>Audio</b>                |  |
| Audio Compression           | G711U, G711A, G726, AAC, G722, PCM, AAC  |
| Audio Bit Rate              | 64 Kbps  |
| Audio Sampling Rate         | 16 kHz   |
| Environment Noise Filtering | Yes  |
| <b>Network</b>              |  |
| Protocols                   | TCP/IP, ICMP, HTTP, HTTPS, FTP, DHCP, DNS, DDNS, Email, RTP, RTSP, RTCP, NTP, UNnP, SMTP, SNMP, ICMP 802.1X, QoS, IPv6, Bonjour, ISUP5.0 |
| Simultaneous Live View      | Up to 6 channels   |
| API                         | ONVIF (PROFILE S, PROFILE G, PROFILE T), ISAPI, SDK  |
| User/Host                   | Up to 16users, 3 levels: Administrator, Operator and User  |
| Web Browser                 | IE8+, Chrome45+, Edge41+, Firefox45+   |
| <b>Image</b>                |  |
| Image Settings              | Support rotation mode. Browser and client software can adjust brightness, contrast, saturation and sharpness.                            |
| Day/Night Switch            | Day/Night/Auto/Schedule  |
| SNR                         | > 50 dB  |
| Image Enhancement           | BLC, HLC, 3D DNR   |
| Privacy Mask                | Enables configuration, and supports drawing of up to 4 areas   |
| Picture Overlay             | Support image overlay, uploading images, enabling, coordinates, etc.   |
| Target Cropping             | Support (only the third stream)  |
| Backlight Compensation(BLC) | Support up, down, left, right, center and custom backlight compensation adjustment   |
| <b>Interface</b>            |  |
| Ethernet Interface          | -ID: 1 RJ45 10M/100M self-adaptive Ethernet port<br>-IM/ND, IDM: 1 four-core M12 aviation plug   |
| On-Board Storage            | Built-in micro SD/SDHC/SDXC slot, up to 256 GB   |
| Audio                       | 1 built-in mic, mono sound   |
| Reset Key                   | Yes  |
| Interface Style             | Interpolate  |
| <b>Event</b>                |  |
| Basic Event                 | Motion detection, video tampering alarm  |

|                                  |   |
|----------------------------------|---|
| Smart Event                      | Line crossing detection,<br>Intrusion detection,<br>Region entrance detection,<br>Region exiting detection,<br>Unattended baggage detection,<br>Object removal detection,<br>Object detection: detects faces and upload images<br>Scene change detection, defocus detection |
| Linkage                          | Upload to FTP, notify monitoring center, send email, trigger recording  |
| <b>General</b>                   |   |
| Camera Material                  | Metal   |
| Camera Dimension                 | Camera: $\Phi$ 110 mm $\times$ 57.4 mm (4.3" $\times$ 2.26")  |
| Package Dimension                | Package: 252 $\times$ 160 $\times$ 95 mm (9.9" $\times$ 6.3" $\times$ 3.7")   |
| Camera Weight                    | Camera: Approx. 452 g (1 lb.)   |
| Startup and Operating Conditions | -30 °C to 75 °C (-22 °F to 167°F), humidity less than 95% or less (non-condensing)  |
| General Function                 | Anti-flicker, heartbeat, mirror   |
| Power                            | PoE: 0.30 A to 0.20 A, max: 7.5 W<br>DC: 0.83 A to 0.21 A, max: 7.5 W   |
| Power Supply                     | -ID: 9-36 V & PoE (802.3af, 36 V to 57 V)<br>-IDM: 9-36 V & PoE (802.3af, 36 V to 57 V)<br>-IM/ND: PoE (802.3af, 36 V to 57 V)  |
| Power Interface                  | -ID: $\Phi$ 5.5 mm coaxial power plug, DC power supply, or PoE power supply<br>-IM/ND: four-core M12 aviation plug, PoE power supply  |
| Language                         | Support English, German, French and Russian   |
| Software Reset                   | Support   |
| Cable Length                     | 50cm  |
| <b>Selection Parameter</b>       |   |
| PoE Support                      | PoE (802.3af)   |
| <b>Approval</b>                  |   |
| Class                            | Class B   |
| EMC                              | FCC (47 CFR Part 15, Subpart B); CE-EMC (EN 55032: 2015, EN 61000-3-2: 2014, EN 61000-3-3: 2013, EN 50130-4: 2011 +A1: 2014);   |
| Safety                           | UL (UL 60950-1); CB (IEC 60950-1:2005 + Am 1:2009 + Am 2:2013); CE-LVD (EN 60950-1:2005 + Am 1:2009 + Am 2:2013);   |
| Environment                      | CE-RoHS (2011/65/EU);   |
| Protection                       | IP68 (IEC 60529-2013), IK10(IEC 62262:2002)   |
| Automotive and Railway           | EN50155-2017(EN 50155:2017, EN 50121-3-2:2016, IEC 60068-2-1:2007, IEC 60068-2-2:2007, IEC 60068-2-30:2005, IEC 61373:2010); EN45545 (EN 45545-2:2013+A1:2015); E-MARK (ECE R10)  |

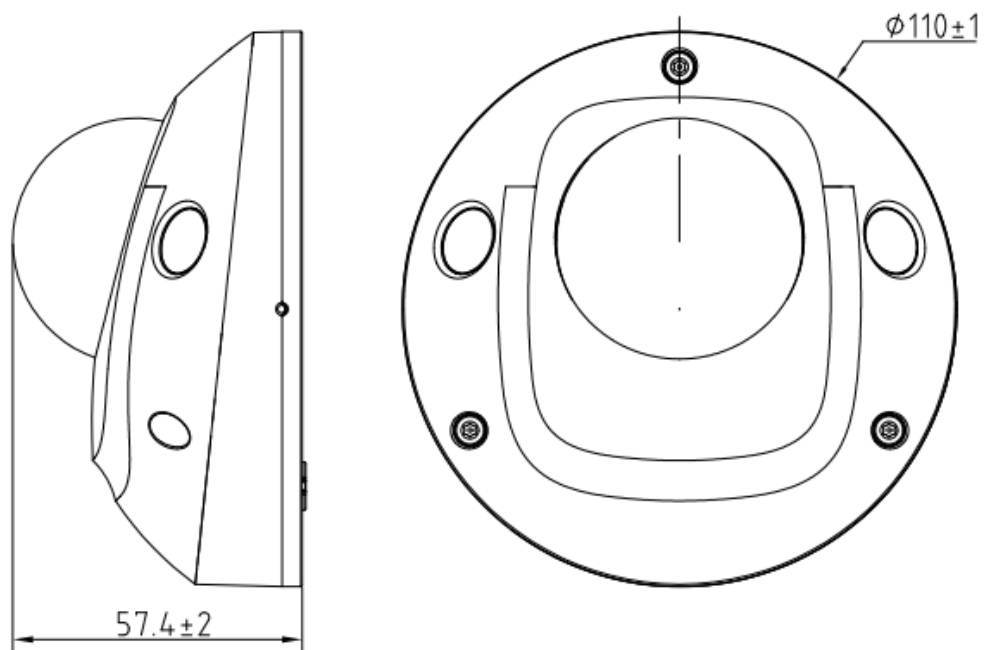
### ▪ Available Model

DS-2XM6756G1-ID(2mm)(AE)(O-STD)

DS-2XM6756G1-IM/ND(2mm)(AE)(O-STD)

DS-2XM6756G1-IM/ND(2mm)(AE)(TELETEx)(Sample)

▪Dimension



Unit: mm

**Headquarters**

No.555 Qianmo Road, Binjiang District,  
Hangzhou 310051, China  
T +86-571-8807-5998  
www.hikvision.com



Follow us on social media to get the latest product and solution information.

