

# AVTPSC

## COMPACT VANDAL RESISTANT CEILING HOUSING FOR INDOOR INSTALLATION

### MAIN FEATURES

Vandal resistant polycarbonate window, 6mm (0.6in)

Impact resistance IK08 according to EN 62262

Compass opening by means of an universal lock

Made of steel, 1,5mm (0.6in) thick

Without external screws

Possibility of external connections by means of 2 cable glands or directly from the ceiling

Accessories available: thermostated heater and camera power supply

### DESCRIPTION

The AVTPSC housings have been designed for surveillance applications in places highly exposed to vandalism (underground parking lots, subway stations, prisons, police stations, corridors, supermarkets, etc).

The AVTPSC is constructed from 1.5mm thick sheet steel and painted with epoxy polyester powder.

The housing is equipped with an internal bracket for the camera attachment and adjustment.

The compass opening allows easy installation and maintenance.

A 6mm thick polycarbonate window is fixed on the front.

The cable outlet is made possible from the fixing base, from both sides left or right and from the 2 cable glands on the rear.



AVTPSC



AVTPSC

### AVAILABLE MODELS

AVTPSC0A000B

Vandal resistant ceiling housing with common lock and key

**TECHNICAL DATA**

**GENERAL**

Built in sheet steel 1.5mm thick (0.06in)  
 Epoxypolyester powder painting, RAL9002 colour  
 Compass opening

**MECHANICAL**

External dimensions (WxHxL): 354x178x155mm (14x7x6.1in)  
 Lock with common key  
 Cable outlet through fixing side, on both sides (right and left) or 2 M20 cable glands  
 Window dimensions: see drawing  
 6mm (0.2in) thick polycarbonate window  
 Unit weight: 3.5kg (7.7lb)

**ELECTRICAL**

Heater (Ton 15°C±3°C (59°F ±5°F), Toff 22°C±3°C (77°F±5°F))

- Power supply/Consumption: 12Vdc/24Vac, 20W max
- Power supply/Consumption: IN 120Vac/230Vac, 40W max

Camera power supply

- IN 100-240Vac - OUT 12Vdc, 1A
- IN 230Vac, 50/60Hz - OUT 24Vac, 400mA

**ENVIRONMENT**

Indoor  
 Operating temperature with heating: -20°C / +60°C (-4°F / +140°F)

**CERTIFICATIONS**

CE EN61000-6-3, EN60065, EN50130-4  
 Impact resistance IK08 EN62262

**ACCESSORIES**

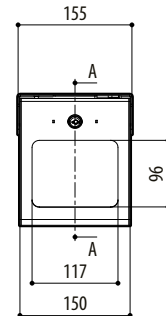
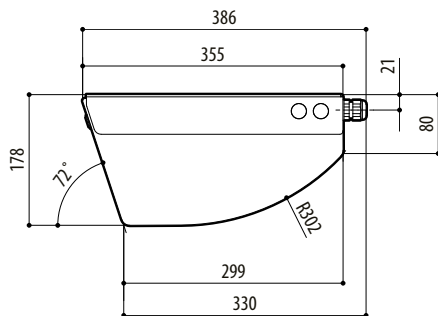
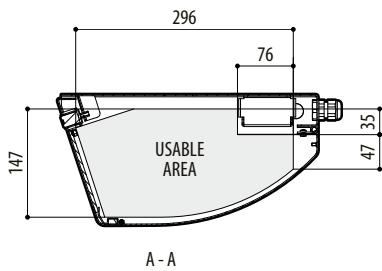
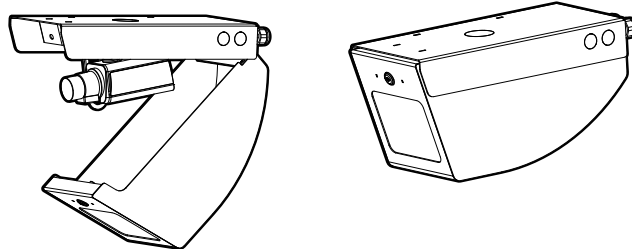
OHEH24B Heater 120/230Vac for HEG, HTG, AVTPSK, AVTPSC housings  
 OHEH25B Heater 12Vdc/24Vac for HEG, HTG, AVTPSK, AVTPSC housings  
 OHEPS22 Wide range camera power supply IN 100-240Vac - OUT 12Vdc, 1A, for AVTPSC and AVTPSK housings  
 OHEPS23 Camera power supply IN 230Vac - OUT 24Vac, 400mA, for AVTPSC and AVTPSK housings

**PACKAGE**

Model Number	Weight	Dimensions (WxHxL)	Master carton
AVTPSC0A000B	3.9kg (8.6in)	18x21x38cm (7x8x15in)	6

**TECHNICAL DRAWINGS**

Sizes in millimeters.



AVTPSC