

DS-1603ZJ-Pole-P

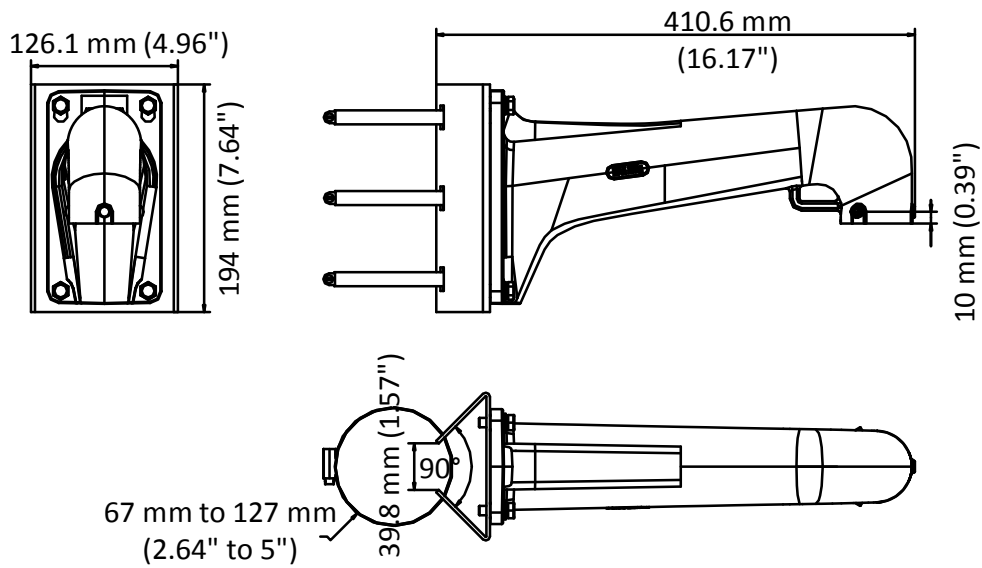
Vertical Pole Mount



Feature

- Aluminum alloy, steel, and stainless steel with surface spray treatment.
- The hook for safety rope facilitates camera's installation
- Adjustable diameter from 67 mm to 127 mm
- Applies to both indoor conditions, and outdoor conditions

Dimension



Available Model

DS-1603ZJ-Pole-P

Parameter

Model	DS-1603ZJ-Pole-P
Parameters	Vertical Pole Mount
Appearance	Platinum Gray
Material	Aluminum Alloy, Steel, and Stainless Steel
Dimension	410.6 mm × 194 mm × 126.1 mm (16.17" × 7.64" × 4.96")
Weight	2450 g (5.4 lb.)

Note

- The wall must be capable of supporting at least 3 times as much as the total weight of the camera and the mount.
- The mount's maximum load capacity is 20 kg (44 lb.).