

## DS-2XM6726G0-I(D)(M)/(ND)(AE)



- High quality imaging with 2 MP resolution
- 2/2.8/4/6/8 mm fixed lens
- Clear imaging against strong back light due to 120 dB WDR technology
- Efficient H.265+ compression technology
- Water and dust resistant (IP67) and vandal resistant (IK10)



## ▪ Specification

Selection Parameter	
Min. Illumination	0.01 Lux @(F1.2, AGC ON), 0 Lux with IR
Local Storage	128 GB
Protection Level	IP67, IK10
Wi-Fi Support	No
Case Type	Dome
Resolution	2MP
Lens Type	Fixed Lens
Video Compression	H.265+,H.265,H.264+,H.264
Camera	
Image Sensor	1/2.8" Progressive Scan CMOS
Min. Illumination	0.01 Lux @(F1.2, AGC ON), 0 Lux with IR
Shutter Speed	1/3 s to 1/100,000 s
Slow Shutter	No
Wide Dynamic Range	120 dB
Day & Night	IR Cut Filter
Angle Adjustment	Pan: 0° to 355°, tilt: 0° to 75°, rotate: 0° to 355°
Lens	
Focal Length & FOV	2 mm, horizontal FOV 126°, vertical FOV 73°, diagonal FOV 144° 2.8 mm, horizontal FOV 104°, vertical FOV 55°, diagonal FOV 120° 4 mm, horizontal FOV 81°, vertical FOV 43°, diagonal FOV 91° 6 mm, horizontal FOV 49°, vertical FOV 27°, diagonal FOV 57° 8 mm, horizontal FOV 40.9°, vertical FOV 22.5°, diagonal FOV 47.4°
Lens Mount	M12
Aperture	2 mm, F2.25, 2.8/4/6/8 mm, F1.6,
illuminator	
IR Range	Up to 10m
Wavelength	850nm
Video	
Max. Resolution	1920 × 1080
Main Stream	50Hz: 25fps (1920 × 1080, 1280 × 960, 1280 × 720) 60Hz: 30fps (1920 × 1080, 1280 × 960, 1280 × 720)
Sub-Stream	50Hz: 25fps (704 × 576, 640 × 480, 352 × 288, 320 × 240) 60Hz: 30fps (704 × 576, 640 × 480, 352 × 288, 320 × 240)
Third Stream	no
Video Compression	Main Stream: H.265/H.264 Sub-Stream: H.265/H.264
Video Bit Rate	256 Kbps to 8 Mbps
H.264 Type	BaseLine Profile/Main Profile/High Profile
H.265 Type	Main Profile
H.264+	Main Stream supports
H.265+	Main Stream supports
Scalable Video Coding (SVC)	H.264 and H.265 encoding

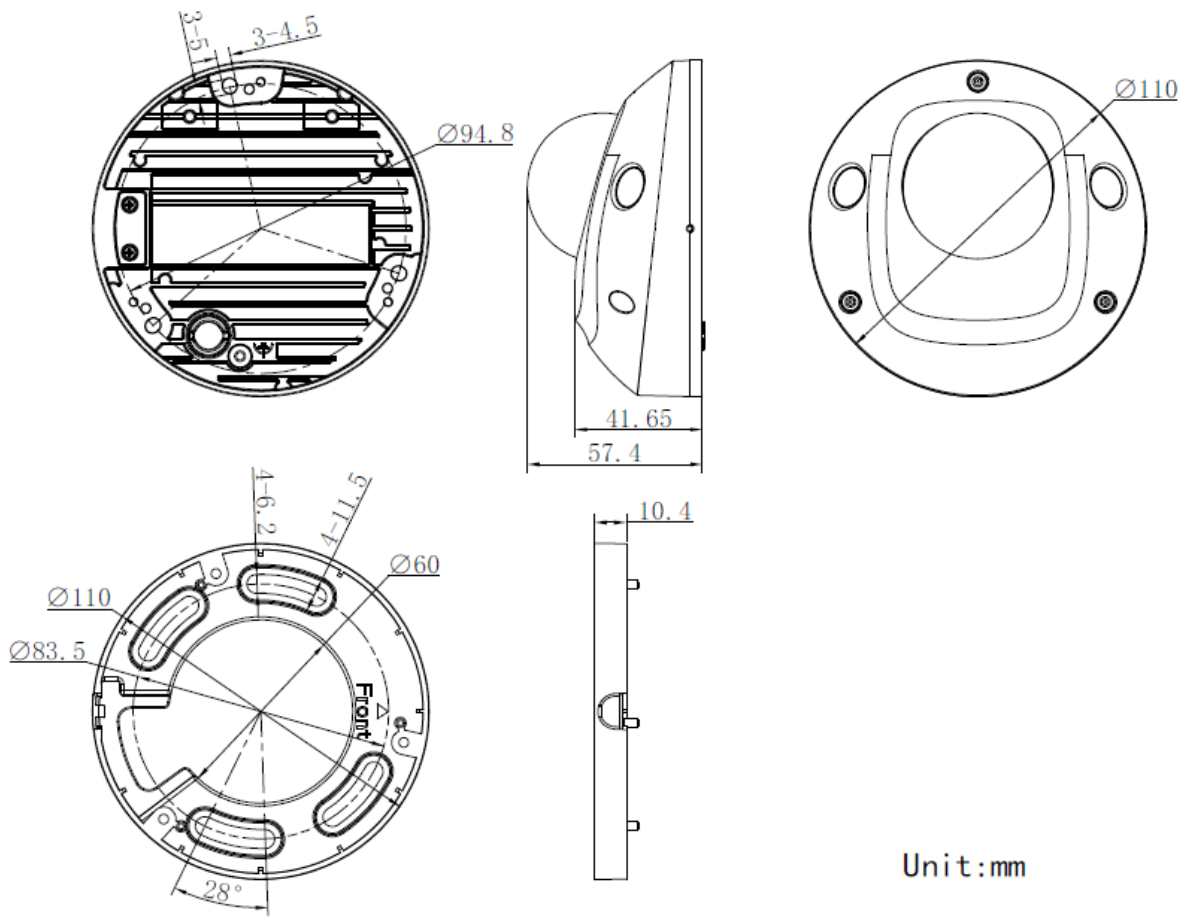
<b>Audio</b>	
Audio Compression	G.711/G.726/AAC
Audio Bit Rate	64Kbps
Audio Sampling Rate	16 kHz
Audio Type	Mono sound
Environment Noise Filtering	Yes
<b>Network</b>	
Protocols	TCP/IP, ICMP, HTTP, DHCP, DNS, RTP, RTSP, RTCP, NTP, SNMP, QoS, FTP , SMTP , HTTPS
Simultaneous Live View	Up to 8 channels
API	ONVIF (PROFILE S, PROFILE G), ISAPI, SDK
User/Host	Up to 32 users,3 levels: Administrator, Operator and User
Network Storage	microSD/SDHC/SDXC card (up to 128 GB),
Client	iVMS-4200
Web Browser	Plug-in required live view: IE10;
<b>Image</b>	
Image Settings	saturation, brightness, contrast, sharpness, gain, white balance adjustable by client software or web browser
Day/Night Switch	Day/Night/Auto/Schedule
Image Enhancement	BLC, 3D DNR,
SNR	> 50dB
DNR	3D DNR
<b>Interface</b>	
Ethernet Interface	-ID: 1 RJ45 10M/100M self-adaptive Ethernet port -IM/ND: 1 four-core M12 aviation plug
On-Board Storage	Built-in micro SD/SDHC/SDXC slot, up to 128 GB
Audio	1 built-in mic, mono sound
Alarm	no
Video Output	no
Reset Key	Yes
<b>Event</b>	
Basic Event	Motion detection, video tampering alarm
Smart Event	no
Linkage	Upload to FTP, notify surveillance center, send email, trigger recording
<b>General</b>	
Camera Material	Metal
Camera Dimension	Camera: $\Phi$ 110 mm $\times$ 57.4 mm (4.3" $\times$ 2.26"), with base: $\Phi$ 110 mm $\times$ 69.4 mm (4.3" $\times$ 2.7")
Camera Weight	Camera: Approx. 460 g (1 lb.)
Startup and Operating Conditions	-30 °C to 75 °C (-22 °F to 167°F), humidity less than 95% or less (non-condensing)
General Function	Anti-flicker, heartbeat, mirror,
Power Consumption and Current	0.30 A to 0.20 A, max: 7.5W
Power Supply	-ID: 9-36V& PoE (802.3af, 36 V to 57 V) -IM/ND: PoE (802.3af, 36 V to 57 V)

Power Interface	-ID: Ø5.5 mm coaxial power plug, DC power supply, or PoE power supply -IM/ND: four-core M12 aviation plug, PoE power supply
<b>Approval</b>	
Class	Class B
EMC	FCC (47 CFR Part 15, Subpart B); CE-EMC (EN 55032: 2015, EN 61000-3-2: 2014, EN 61000-3-3: 2013, EN 50130-4: 2011 +A1: 2014);
Safety	UL (UL 60950-1); CB (IEC 60950-1:2005 + Am 1:2009 + Am 2:2013); CE-LVD (EN 60950-1:2005 + Am 1:2009 + Am 2:2013);
Environment	CE-RoHS (2011/65/EU); WEEE (2012/19/EU); Reach (Regulation (EC) No 1907/2006)
Protection	IP67 (IEC 60529-2013), IK10(IEC 62262:2002)
Automotive and Railway	EN50155-2017(EN 50155:2017, EN 50121-3-2:2016, IEC 60068-2-1:2007, IEC 60068-2-2:2007, IEC 60068-2-30:2005, IEC 61373:2010); EN45545 (EN 45545-2:2013+A1:2015); E-MARK (ECE R10)

#### ▪ Available Model

DS-2XM6726G0-IM/ND(6mm)(AE),DS-2XM6726G0-ID(6mm)(AE),DS-2XM6726G0-IM/ND(2mm)(AE),DS-2XM6726G0-ID(2mm)(AE)  
,DS-2XM6726G0-IM/ND(2.8mm)(AE),DS-2XM6726G0-ID(2.8mm)(AE),DS-2XM6726G0-IM/ND(4mm)(AE)  
,DS-2XM6726G0-ID(4mm)(AE),DS-2XM6726G0-IM/ND(8mm)(AE),DS-2XM6726G0-ID(8mm)(AE)

#### ▪ Dimension



Adapter

Unit:mm

Distributed by

**HIKVISION®****Headquarters**

No.555 Qianmo Road, Binjiang District,  
Hangzhou 310051, China  
T +86-571-8807-5998  
overseasbusiness@hikvision.com

**Hikvision USA**  
T +1-909-895-0400  
sales.usa@hikvision.com

**Hikvision Australia**  
T +61-2-8599-4233  
salesau@hikvision.com

**Hikvision India**  
T +91-22-28469900  
sales@pramahikvision.com

**Hikvision Canada**  
T +1-866-200-6690  
sales.canada@hikvision.com

**Hikvision Thailand**  
T +662-275-9949  
sales.thailand@hikvision.com

**Hikvision Europe**  
T +31-23-5542770  
sales.eu@hikvision.com

**Hikvision Italy**  
T +39-0438-6902  
info.it@hikvision.com

**Hikvision Brazil**  
T +55 11 3318-0050  
Latam.support@hikvision.com

**Hikvision Turkey**  
T +90 (216)521 7070- 7074  
sales.tr@hikvision.com

**Hikvision Malaysia**  
T +601-7652-2413  
sales.my@hikvision.com

**Hikvision UK & Ireland**  
T +01628-902140  
sales.uk@hikvision.com

**Hikvision South Africa**  
Tel: +27 (10) 0351172  
sale.africa@hikvision.com

**Hikvision France**  
T +33(0)1-85-330-450  
info.fr@hikvision.com

**Hikvision Kazakhstan**  
T +7-727-9730667  
nikia.panfilov@hikvision.ru

**Hikvision Vietnam**  
T +84-974270888  
sales.vt@hikvision.com

**Hikvision UAE**  
T +971-4-4432090  
salesme@hikvision.com

**Hikvision Singapore**  
T +65-6684-4718  
sg@hikvision.com

**Hikvision Spain**  
T +34-91-737-16-55  
info.es@hikvision.com

**Hikvision Tashkent**  
T +99-87-1238-9438  
uzb@hikvision.ru

**Hikvision Hong Kong**  
T +852-2151-1761  
info.hk@hikvision.com

**Hikvision Russia**  
T +7-495-669-67-99  
saleru@hikvision.com

**Hikvision Korea**  
T +82-(0)31-731-8817  
sales.korea@hikvision.com

**Hikvision Poland**  
T +48-22-460-01-50  
info.pl@hikvision.com

**Hikvision Indonesia**  
T +62-21-2933759  
Sales.Indonesia@hikvision.com

**Hikvision Colombia**  
sales.colombia@hikvision.com