

**DS-2TE127-G4A
Black Body**

As a standard radiation source, black body has been widely used for calibrating infrared light system, measuring material emissivity, measuring parameters of infrared sensor, and transmitting temperature between infrared emitter and thermal device.

DS-2TE127-G4A is mainly used for the calibration of thermographic device. It helps to measure the temperature in high accuracy.

Key Feature

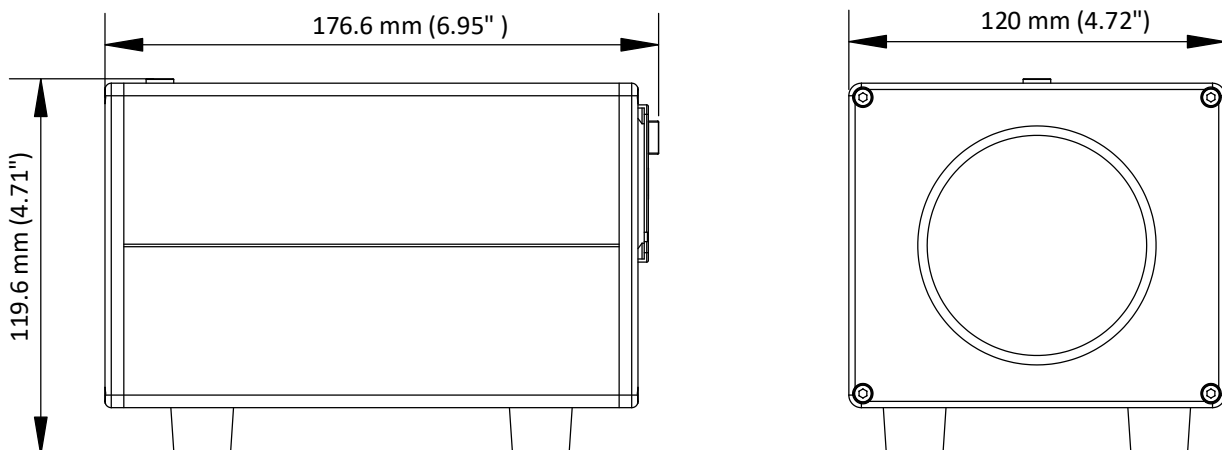
- Supports calibration of thermal device in high accuracy
- Supports different temperature settings
- High accuracy and good stability
- Easy temperature calibration and correction
- Strong ability of anti-interference



Specification

Parameter	
Temperature Range	Environment Temperature+5 °C (9 °F), up to 50°C (122 °F)
Effective Radiating Area	70 mm ×70 mm (2.76" × 2.76")
Temperature Resolution	0.1 °C (0.18 °F)
Temperature Accuracy	± 0.1 °C (0.18 °F)
Temperature Stability	± 0.1 °C/h
Effective Emissivity	0.97 ± 0.02
Power Consumption	20 W
Environment Temperature	0 °C to 40°C (32 °F to 104 °F)
Weight	1.85 Kg (4.08 lb)
Dimension	120 mm × 176.6 mm × 119.6 mm (4.72" × 6.95" × 4.71")
Power	100 VAC to 240 VAC
Mounting	Mounting on a plane desk or a tripod with 1/4-20UNC Interface

Dimension



Available Model

DS-2TE127-G4A

Distributed by

**HIKVISION®****Headquarters**

No.555 Qianmo Road, Binjiang District,
Hangzhou 310051, China
T +86-571-8807-5998
overseasbusiness@hikvision.com

Hikvision USA
T +1-909-895-0400
sales.usa@hikvision.com

Hikvision Australia
T +61-2-8599-4233
salesau@hikvision.com

Hikvision India
T +91-22-28469900
sales@pramahikvision.com

Hikvision Canada
T +1-866-200-6690
sales.canada@hikvision.com

Hikvision Thailand
T +662-275-9949
sales.thailand@hikvision.com

Hikvision Europe
T +31-23-5542770
sales.eu@hikvision.com

Hikvision Italy
T +39-0438-6902
info.it@hikvision.com

Hikvision Brazil
T +55 11 3318-0050
Latam.support@hikvision.com

Hikvision Turkey
T +90 [216]521 7070- 7074
sales.tr@hikvision.com

Hikvision Malaysia
T +601-7652-2413
sales.my@hikvision.com

Hikvision UK & Ireland
T +01628-902140
sales.uk@hikvision.com

Hikvision South Africa
Tel: +27 (10) 0351172
sale.africa@hikvision.com

Hikvision France
T +33(0)1-85-330-450
info.fr@hikvision.com

Hikvision Kazakhstan
T +7-727-9730667
nikia.panfilov@hikvision.ru

Hikvision Vietnam
T +84-974270888
sales.vt@hikvision.com

Hikvision UAE
T +971-4-4432090
salesme@hikvision.com

Hikvision Singapore
T +65-6684-4718
sg@hikvision.com

Hikvision Spain
T +34-91-737-16-55
info.es@hikvision.com

Hikvision Tashkent
T +99-87-1238-9438
uzb@hikvision.ru

Hikvision Hong Kong
T +852-2151-1761
info.hk@hikvision.com

Hikvision Russia
T +7-495-669-67-99
saleru@hikvision.com

Hikvision Korea
T +82-[0]31-731-8817
sales.korea@hikvision.com

Hikvision Poland
T +48-22-460-01-50
info.pl@hikvision.com

Hikvision Indonesia
T +62-21-2933759
Sales.Indonesia@hikvision.com

Hikvision Colombia
sales.colombia@hikvision.com