

# HEK

## ALUMINIUM AND THERMOPLASTIC HOUSING

### MAIN FEATURES

IP66/IP67 (with cable glands or optional sealing rings)  
 Pre-arranged for internal cable management bracket  
 Slide extractable body with hinged system  
 Versions with fan-assisted heater  
 Available accessories: heater and camera power supply

### DESCRIPTION

Robust housing with tamper-proof features, designed for containing cameras with fixed lenses and compact zooms.

The frontal opening system allows an easy access to the camera and all internal connections.

A wide range of accessories for mounting the equipment is available thereby satisfying all installation needs.



HEK



HEK



HEK + WBMA



HEK + WBOVA2

### AVAILABLE MODELS

Model Number	Sunshield	Heater 120/230Vac	Heater 12Vdc/24Vac	Heater 24Vac fan assisted	Max consumption
HEK26D0Y000B	–	–	–	–	–
HEK26K0Y000B	✓	–	–	–	–
HEK26K1Y000B	✓	✓	–	–	40W
HEK26K2Y000B	✓	–	✓	–	20W
HEK30D0Y000B	–	–	–	–	–
HEK30K0Y000B	✓	–	–	–	–
HEK30K1Y000B	✓	✓	–	–	40W
HEK30K2Y000B	✓	–	✓	–	20W
HEK30K2Y015B	✓	–	–	✓	24W

**TECHNICAL DATA****GENERAL**

Resistant technopolymer front and back cover, RAL7030  
 Extruded aluminium body and external slide  
 Epoxypolyester powder painting, RAL9002 colour  
 Stainless steel external screws  
 Supplied with instruction manual, desiccant bag, accessories for camera and lens mounting

**MECHANICAL**

Cable glands: 3xM16  
 PMMA window (WxH): Ø 72mm (2.8in)  
 Internal usable area (WxH): 82x62mm (3.2x2.4in)  
 Internal usable length (without accessories):  
 HEK26 260mm (10.2in)  
 HEK30 300mm (11.8in)  
 Internal usable length (with heater and/or power supply):  
 • HEK26 190mm (7.5in)  
 • HEK30 235mm (9.3in)  
 Internal usable length (with heater and/or blower):  
 • HEK26 190mm (7.5in)  
 • HEK30 235mm (9.3in)  
 Unit weight: 2kg-4.4lb (HEK26), 2.2kg-4.8lb (HEK30)

**ELECTRICAL**

Heater (Ton 15°C±3°C (59°F±5°F), Toff 22°C±3°C (77°F±5°F))  
 • Power supply/Consumption: IN 12Vdc/24Vac, 20W max  
 • Power supply/Consumption: IN 120/230Vac, 40W max  
 Blower with thermostat and air filter, Ton 35°C±3°C (95°F±5°F) Toff 20°C±3°C (71°F±5°F) and back cover  
 • IN 12Vdc, consumption 4W max  
 • IN 24Vac, consumption 4W max  
 Not compatible with bracket with internal cable channel.  
 Camera power supply  
 • IN 100-240Vac, 50/60Hz - OUT 12Vdc, 1A  
 • IN 230Vac - OUT 24Vac, 50/60Hz, 400mA

**ENVIRONMENT**

Indoor/Outdoor  
 Operating temperature with heating: -20°C / +60°C (-4°F / +140°F)

**CERTIFICATIONS**

CE EN61000-6-3, EN60065, EN50130-4  
 IP66/IP67 EN60529 with cable glands  
 IP66/IP67 EN60529 with special gaskets and bracket with internal cable channel  
 IP55 EN60529 with bracket with internal cable channel

**ACCESSORIES**

OHEH02B Heater 120/230Vac for HEB, HEK housings  
 OHEH01B Heater 12Vdc/24Vac for HEB, HEK housings  
 OHEPS10B Wide range camera power supply IN 100-240Vac - OUT 12Vdc, 15W, for HEK housing  
 OHEPS11B Camera power supply IN 230Vac - OUT 24Vac, 10VA, for HEK housing  
 OWBIP2 Sealing rings kit (3xM16) IP66/IP67 for WBOVA2 and WCM4A2 brackets for PUNTO, HOV, HTV, HTC, VERSO, VERSO POLAR, VERSO COMPACT, HEB, HEK housings  
 OHEGBB Weatherproof junction box  
 OSUPPIR Bracket for mounting 1 GEKO IRH illuminator under the housing

**RELATED PRODUCTS**

PTH300 Horizontal/vertical Pan & Tilt  
 PTH900 Horizontal/vertical Pan & Tilt

**BRACKETS AND ADAPTORS**

WBMA Wall bracket with ball joint  
 WBOVA2 Wall bracket with internal cable channel  
 WBOV3A2 Wall bracket with internal cable channel, counterplate and support box, not compatible with OHEBVF1, OHEBVF2 and OHEBVF3  
 WCM3A Ceiling bracket with ball joint  
 WCM5A Ceiling bracket with ball joint  
 WCM4A2 Ceiling bracket with internal cable channel  
 WFWCA Column bracket with joint

**SPARE PARTS**

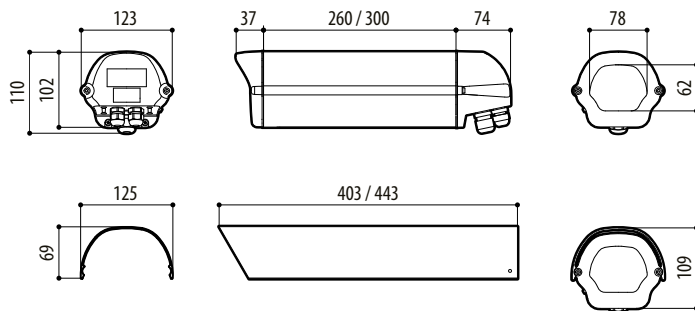
OHEKS26A000 Sunshield HEK26  
 OHEKS30A000 Sunshield HEK30  
 DOTHE02 Spacers for camera and lens  
 OHEKMAN Cable glands, gaskets and screws  
 OHEKFA06 Front cover RAL7030 with glass, screws and gaskets  
 OHEKFP06 Back cover RAL7030 with cable glands, gaskets and screws

**PACKAGE**

Model Number	Weight	Dimensions (WxHxL)	Master carton
HEK26K1Y000B	2.3kg (5lb)	14x15x46cm (5.5x6x18in)	10
HEK30K1Y000B	2.4kg (5.3lb)	14x15x46cm (5.5x6x18in)	10

**TECHNICAL DRAWINGS**

Sizes in millimeters.



HEK