

iDS-7216HQHI-M1/FA TURBO ACUSENSE DVR

Key Feature

- Deep learning-based motion detection 2.0 for all analog channels
- Deep learning-based face picture comparison
- Deep learning-based perimeter protection
- H.265 Pro+/H.265 Pro/H.265/H.264+/H.264 video compression
- HDTVI/AHD/CVI/CVBS/IP video inputs
- Audio via coaxial cable
- Up to 24-ch IP camera inputs (up to 6 MP)
- Up to 10 TB capacity per HDD



Compression and Recording

- H.265 Pro+ video compression improves encoding efficiency, and reduces data storage costs
- Full channel recording at up to 1080p resolution

Storage and Playback

- Smart search for efficient playback

Smart Function

- Deep learning-based motion detection, perimeter protection (line crossing and intrusion detection), or facial recognition
- Support multiple VCA (Video Content Analytics) events for both analog and smart IP cameras

Network & Ethernet Access

- Compatible with major Wi-Fi dongle products in the market
- Hik-Connect & DDNS (Dynamic Domain Name System) for easy network management
- Output bandwidth limit configurable

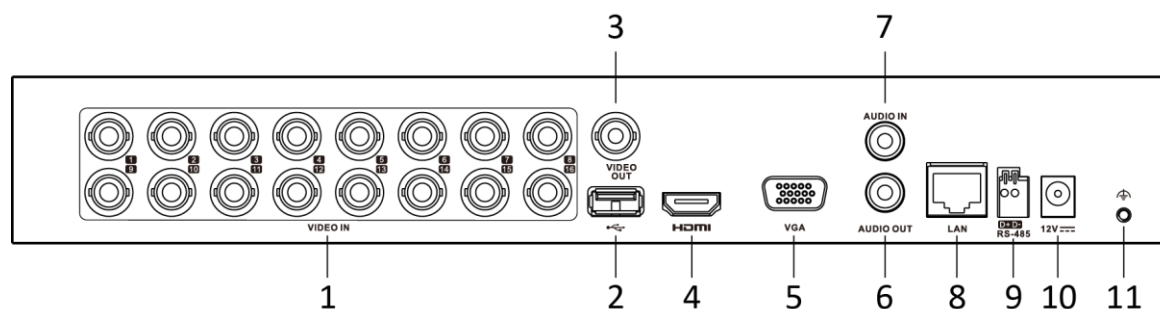
▪ Specification

| Facial Recognition | |
|-------------------------|--|
| Face Picture Comparison | Face picture comparison, face picture search (1-ch face picture comparison alarm for HD analog camera) |
| Face Picture Library | Up to 16 face picture libraries, with up to 5000 face pictures in total (each picture ≤ 1 MB, total capacity ≤ 55 MB) |
| Motion Detection 2.0 | |
| Human/Vehicle Analysis | Deep learning-based motion detection 2.0 is enabled by default for all analog channels, it can classify human and vehicle, and extremely reduce false alarms caused by objects like leaves and lights; Quick search by object or event type is supported; |
| Perimeter Protection | |
| Human/Vehicle Analysis | Up to 4-ch |
| Recording | |
| Video Compression | H.265 Pro+/H.265 Pro/H.265/H.264+/H.264 |
| Encoding Resolution | When 1080p Lite mode is not enabled: 3K lite/5 MP lite/4 MP lite/1080p/720p/VGA/WD1/4CIF/CIF; When 1080p Lite mode is enabled: 3K lite/5 MP lite/4 MP lite/1080p lite/720p lite/VGA/WD1/4CIF/CIF |
| Frame Rate | Main stream: When 1080p Lite mode not enabled: For 3K stream access: 3K lite@12fps;4 MP lite/1080p@15fps;720p/WD1/4CIF/VGA/CIF@20fps For 5 MP stream access: 5 MP lite@12fps;4 MP lite/1080p@15fps;720p/WD1/4CIF/VGA/CIF@20fps For 4 MP stream access: 4 MP lite/1080p@15fps;720p/WD1/4CIF/VGA/CIF@25fps (P)/30fps (N) For 1080p stream access: 1080p/720p@15fps; VGA/WD1/4CIF/CIF@25fps (P)/30fps (N) For 720p stream access: 720p/VGA/WD1/4CIF/CIF@25fps (P)/30fps (N) When 1080p Lite mode enabled: 3K lite/5 MP lite@12fps;4 MP lite@15fps;1080p lite/720p lite/VGA/WD1/4CIF/CIF@25fps (P)/30fps (N) Sub-stream: WD1/4CIF@12fps; CIF@25fps (P)/30fps (N) |
| Video Bitrate | 32 Kbps to 6 Mbps |
| Dual-stream | Support |

| | |
|------------------------|--|
| Stream Type | Video, Video & Audio |
| Audio Compression | G.711u |
| Audio Bitrate | 64 Kbps |
| Video and Audio | |
| IP Video Input | 2-ch (up to 18-ch) Enhanced IP mode on: 8-ch (up to 24-ch), each up to 4 Mbps Up to 6 MP resolution Support H.265+/H.265/H.264+/H.264 IP cameras |
| Analog Video Input | 16-ch BNC interface (1.0 Vp-p, 75 Ω), supporting coaxitron connection |
| HDTVI Input | 3K@20 fps, 5 MP@20 fps, 4 MP@30 fps, 4 MP@25 fps, 1080p@30 fps, 1080p@25 fps, 720p@30 fps, 720p@25 fps |
| AHD Input | 5 MP@20 fps, 4 MP@30 fps, 4 MP@25 fps, 1080p@30 fps, 1080p@25 fps, 720p@30 fps, 720p@25 fps |
| HDCVI Input | 5 MP@20 fps, 4 MP@30 fps, 4 MP@25 fps, 1080p@30 fps, 1080p@25 fps, 720p@30 fps, 720p@25 fps |
| CVBS Input | PAL/NTSC |
| CVBS Output | 1-ch, BNC (1.0 Vp-p, 75 Ω), resolution: PAL: 704 × 576, NTSC: 704 × 480 |
| HDMI Output | 1-ch, 4K (3840 × 2160)/30Hz, 2K (2560 × 1440)/60Hz, 1920 × 1080/60Hz, 1280 × 1024/60Hz, 1280 × 720/60Hz, HDMI/VGA simultaneous output |
| VGA Output | 1-ch, 1920 × 1080/60Hz, 1280 × 1024/60Hz, 1280 × 720/60Hz, HDMI/VGA simultaneous output |
| Audio Input | 1-ch (up to 16-ch is optional), RCA (2.0 Vp-p, 1 KΩ) 16-ch via coaxial cable |
| Audio Output | 1-ch, RCA (Linear, 1 KΩ) |
| Two-Way Audio | 1-ch, RCA (2.0 Vp-p, 1 KΩ) (using the first audio input) |
| Synchronous playback | 16-ch |
| Network | |
| Remote Connection | 128 |
| Total Bandwidth | 128 Mbps |
| Network Protocol | TCP/IP, PPPoE, DHCP, Hik-Connect, DNS, DDNS, NTP, SADP, NFS, iSCSI, UPnP™, HTTPS, ONVIF |

| | |
|----------------------------|--|
| Network Interface | 1, RJ45 10/100/1000 Mbps self-adaptive Ethernet interface |
| Wi-Fi | Connectable to Wi-Fi network by Wi-Fi dongle through USB interface |
| Auxiliary Interface | |
| SATA | 1 SATA interface, up to 10 TB capacity for each disk |
| Serial Interface | RS-485 (half-duplex) |
| USB Interface | Front panel: 1 × USB 2.0; Rear panel: 1 × USB 3.0 |
| Alarm In/Out | N/A (optional to support) |
| General | |
| Power Supply | 12 VDC, 2 A |
| Consumption | ≤ 24 W |
| Working Temperature | -10 °C to 55 °C (14 °F to 131 °F) |
| Working Humidity | 10% to 90% |
| Dimension (W × D × H) | 315 × 242 × 45 mm (12.4 × 9.5 × 1.8 inch) |
| Weight | ≤ 2 kg (4.4 lb) |

Physical Interface



| No. | Description | No. | Description |
|-----|--------------------------|-----|-------------------------|
| 1 | VIDEO IN | 7 | AUDIO IN, RCA connector |
| 2 | USB interface | 8 | LAN network interface |
| 3 | VIDEO OUT | 9 | RS-485 serial interface |
| 4 | HDMI interface | 10 | 12 VDC power input |
| 5 | VGA interface | 11 | GND |
| 6 | AUDIO OUT, RCA connector | | |

Available Model

iDS-7216HQHI-M1/FA

Headquarters

No.555 Qianmo Road, Binjiang District,
Hangzhou 310051, China
T +86-571-8807-5998
www.hikvision.com



Follow us on social media to get the latest product and solution information.

