

VERSO HI-POE IPM

POLYCARBONATE HOUSING WITH IPM TECHNOLOGY FOR IP CAMERAS

MAIN FEATURES

IPM technology (Intelligent Power Management)
PoE / Hi-PoE power supply for heating, demisting, illuminator, fan and PoE network camera
Compatible with IEEE 802.3af, IEEE 802.3at/PoE Plus
Indoor / Outdoor
Vandalproof protection (IK10)
IP66/IP67 (with cable glands or optional sealing rings)
Special cable gland for a fast Ethernet connection/disconnection without cutting the RJ45 connector
Version with fan with double air filter
Pre-arranged to supply a GEKO IRH illuminator
Pre-arranged for internal cable management bracket

DESCRIPTION

The VERSO Hi-PoE IPM housing exploits in an optimal way the POE and Hi-POE technology, using the power supplied by the Ethernet cable as the sole source of power for all the devices connected, thus ensuring the maximum efficiency and flexibility of the network system as well as user-friendly installation and low costs. The innovative IPM (Intelligent Power Management) system enables extremely quick and easy installation with the use of a single Ethernet connecting cable.

The Hi-POE IPM system automatically detects all the options, like heating, fan and illuminator and then autonomously balances the power to ensure suitable distribution of the same to the connected devices. This guarantees the optimal operation of the IP camera between -30°C (-22°F) and +60°C (140°F), with heat regulation and cold start (activation at low temperature).

The analog system, with previously installed camera housings, can be retrofitted on IPM system simply by changing the slide and the internal electronics. This enables the digital conversion, speeding up the installation and thereby minimizing costs and environmental impact.

Very easy to install thanks to the side opening system that allows the full access to the camera, lenses and all internal connections.



VERSO HI-POE IPM



VERSO HI-POE IPM + GEKO IRH + CAMERA



MODULE IPM (INTELLIGENT POWER MANAGEMENT)

TECHNICAL DATA

GENERAL

Entirely made of technopolymer (polycarbonate), RAL9002 colour
 Sunshield in ABS
 Epoxypolyester powder painting, RAL9002 colour
 Stainless steel external screws

MECHANICAL

Cable glands: 1xM12, 1xM16, 1xM20
 Polycarbonate window (WxH): 105x64mm (4.1x2.5in)
 Internal usable area (WxHxL): 70x70x230mm (2.7x2.7x9.0in)
 Unit weight: 1.6kg (3.5lb)

ELECTRICAL

Power absorbed in input: PoE class 3 (13W) or Hi-PoE class 4 (25W) selectable with dip switch
 Available power for camera (PoE IN class 3): PoE Class 2 (7W)
 Available power for camera (Hi-PoE IN class 4): PoE class 3 (13W) with Ton -10°C ±2°C "cold start" function
 Data line: 10/100Base-T
 Illuminator GEKO IRH, low power: 6W
 Heater: 8W, electronically controlled, Ton 20°C±2°C (68°F±4°F), Toff 23°C±2°C (73.4°F±4°F)
 Fan with thermostat for camera cooling for versions with double air filter: Ton 35°C±2°C (95°F±4°F), Toff 32°C±2°C (89.6°F±4°F)
 Demisting with forced hot air: 5W
 Compatible with IEEE 802.3af, IEEE 802.3at/PoE Plus
 Compatible with the Power Injector (OHEPOWINJ: VIDEOTEC optional accessory)

ENVIRONMENT

Indoor/Outdoor
 Operating temperature: From -10° (14°F) to +60°C (140°F)
 Operating temperature (with heater): From -30°C (-22°F) to +60°C (140°F)
 Chemical agents resistance

- High resistance: basics, alcohols, gas, hydrocarbon
- Good resistance: Organic acids, inorganic acids, oils
- Low resistance: Solvents

CERTIFICATIONS

Electrical safety (CE): EN60950-1
 Electromagnetic compatibility (CE): EN50130-4, EN61000-6-4
 IP protection degree: EN60529

- IP66/IP67 (with cable glands)
- IP66/IP67 (with special gaskets and bracket with internal cable channel)
- IP55 (with bracket with internal cable channel)
- IP44 (for models with double filter for ventilation)

Impact resistance: EN62262, IK10
 UL certification: UL94, V1 (fire-self extinguish)
 cULus Listed, TYPE 4X (except for versions with double filter for the air exchange)

VERSO HI-POE IPM AVAILABLE MODELS AND FEATURES

Operating temperature	Injector	Camera	Demisting system	Illuminator	Heater	Fan with double air filter	Model Number
From -10° (14°F) to +60°C (140°F)	PoE classe 3 (13W)	PoE max. class 2 (7W)	✓	–	–	✓	HPV42K2A716
	Hi-PoE class 4 (25W)	PoE max. class 3 (13W)	✓	✓	–	✓	HPV42K2A716
From -10° (14°F) to +60°C (140°F)	PoE classe 3 (13W)	PoE max. class 2 (7W)	✓	–	–	–	HPV42K2A700
	Hi-PoE class 4 (25W)	PoE max. class 3 (13W)	✓	✓	–	–	HPV42K2A700
From -30°C (-22°F) to +60°C (140°F)	Hi-PoE class 4 (25W)	PoE max. class 3 (13W)	✓	–	✓	–	HPV42K2A700

ACCESSORIES

OHEPOWINJ	Hi-PoE Power Injector, 1 channel
OWBIP3	Sealing rings kit (1xM12 - 1xM16 - 1xM20) IP66/IP67 for WBOVA2 and WCM4A2 brackets for VERSO Hi-PoE IPM and HOV Hi-PoE IPM housings
OHEGBB	Weatherproof junction box
OSUPPIR	Bracket for mounting 1 GEKO IRH illuminator under the housing

RELATED PRODUCTS

PTH300	Horizontal/vertical Pan & Tilt
PTH900	Horizontal/vertical Pan & Tilt
IRH10L8A	LED Illuminator, 10°, 850nm, 24Vac - 12/24Vdc
IRH30L8A	LED Illuminator, 30°, 850nm, 24Vac - 12/24Vdc
IRH60L8A	LED Illuminator, 60°, 850nm, 24Vac - 12/24Vdc

BRACKETS AND ADAPTORS

WBJA	Ceiling bracket with ball joint
WBOVA2	Wall bracket with internal cable channel
WBOV3A2	Wall bracket with internal cable channel, counterplate and support box, not compatible with OHEBVF1, OHEBVF2 and OHEBVF3
WCM3A	Ceiling bracket with ball joint
WCM5A	Ceiling bracket with ball joint
WCM4A2	Ceiling bracket with internal cable channel
WFWCA	Column bracket with joint

SPARE PARTS

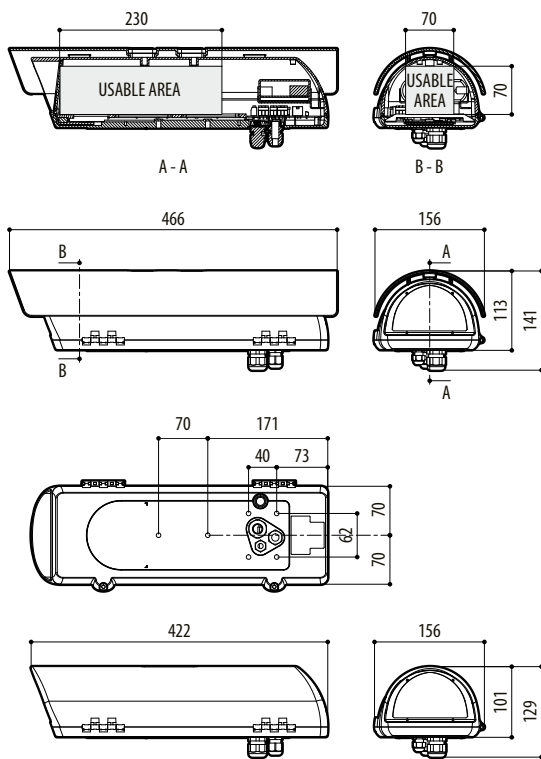
OHPVPOEIPM	Maintenance/retrofit kit for VERSO and VERSO Hi-PoE IPM housings
OHOV32SUP	Complete upper body
OBKFIL	Filter replacement kit for double filter versions

PACKAGE

Model Number	Weight	Dimensions (WxHxL)	Master carton
HPV42K2A700	1.9kg (4.2lb)	16.5X15.5X49cm (6.5x6.1x19.3in)	10

TECHNICAL DRAWINGS

Sizes in millimeters.



VERSO HI-POE IPM

