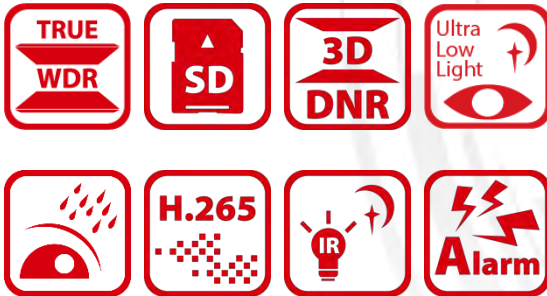


DS-2DY9225IH-A (C) 2MP 25× IR Network Positioning System

DarkFighterX



DS-2DY9225IH-A 2MP 25× IR Network Positioning System is a DarkfighterX series camera that adopts the patented dual-sensor design to process color and brightness independently, and outputs one FULL-COLOR image.

Key Features

- Dual-sensor, 1/2.8" Progressive Scan CMOS
- Full-color image output
- Up to 1920 × 1080 resolution
- Min. illumination:
Color: 0.001 Lux @(F1.5, AGC ON)
B/W: 0.0001 Lux @(F1.5, AGC ON)
0 Lux with IR
- 25× optical zoom, 16× digital zoom
- 120dB WDR, 3D DNR, HLC, BLC, Smart IR
- 24 VAC
- Support up to 200 m IR distance
- Support H.265+/H.265 video compression
- Auto wiper
- IP66



Specification

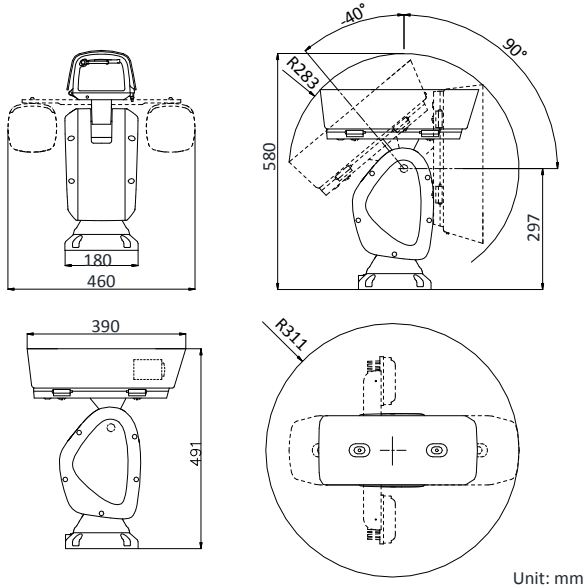
| Camera Module | |
|-----------------------|---|
| Image Sensor | Two 1/2.8" progressive scan CMOS |
| Min. Illumination | Color: 0.001 Lux @(F1.5, AGC ON) B/W: 0.0001 Lux @(F1.5, AGC ON) 0 Lux with IR |
| White Balance | Auto/Manual/ATW (Auto-tracing White Balance)/ Indoor/Outdoor/Fluorescent lamp/Sodium lamp |
| AGC | Auto/Manual |
| Shutter Time | 1/1 s to 1/30,000 s |
| Digital Zoom | 16× |
| Privacy Mask | 24 programmable privacy masks |
| Focus Mode | Auto/Semi-automatic/Manual |
| WDR | 120 dB WDR |
| Day & Night | Controlled by dual-sensor |
| Lens | |
| Focal Length | 4.8 mm to 120 mm, 25× optical zoom |
| Zoom Speed | Approx. 4.0 s (optical lens, wide-tele) |
| FOV | Horizontal field of view: 58.2° to 3.2° (wide-tele) Vertical field of view: 32.7° to 1.8° (wide-tele) Diagonal field of view: 66.8° to 3.7° (wide-tele) |
| Working Distance | 10 mm to 1500 mm (wide-tele) |
| Aperture Range | F1.5 to F3.5 |
| PTZ | |
| Movement Range (Pan) | 360° endless |
| Pan Speed | Configurable, from 0.1°/s to 100°/s, Preset Speed: 100°/s |
| Movement Range (Tilt) | From -90° to 40° |
| Tilt Speed | Configurable, from 0.1°/s to 40°/s, Preset Speed: 40°/s |
| Proportional Zoom | Support |
| Presets | 300 |
| Patrol Scan | 8 patrols, up to 32 presets for each patrol |
| Pattern Scan | 4 pattern scans, record time over 10 minutes for each scan |
| Power-off Memory | Support |
| Park Action | Preset/Pattern Scan/Patrol Scan/Auto Scan/Tilt Scan/Random Scan/Frame Scan/Panorama Scan |
| 3D Positioning | Support |
| PTZ Position Display | ON/OFF |
| Preset Freezing | Support |
| Scheduled Task | Preset/Pattern Scan/Patrol Scan/Auto Scan/Tilt Scan/Random Scan/Frame Scan/Panorama Scan/Dome Reboot/Dome Adjust/Aux Output |
| Compression Standard | |
| Video Compression | Main Stream: H.265+/H.265/H.264+/H.264 Sub-Stream: H.265/H.264/MJPEG Third Stream: H.265/H.264/MJPEG |
| H.264 Type | Baseline Profile/Main Profile/High Profile |
| H.264+ | Support |
| H.265 Type | Main Profile |
| H.265+ | Support |
| Video Bitrate | 32 kbps to 16384 kbps |
| Audio Compression | G.711alaw/G.711ulaw/G.722.1/G.726/MP2L2/PCM |
| Audio Bitrate | G.711alaw/G.711ulaw: 64 Kbps G.722.1: 16 Kbps G.726: 16 Kbps MP2L2: 32 Kbps to 160 Kbps |
| Smart Feature | |
| Basic Event Detection | Motion Detection, Video Tampering Detection, Alarm Input, Alarm Output, Exception |

| | |
|------------------------|--|
| Smart Detection | Face Detection, Audio Exception Detection, Intrusion Detection, Line Crossing Detection, Region Entrance Detection, Region Exiting Detection |
| ROI encoding | Main stream, sub-stream and third stream respectively support eight fixed areas. |
| Smart Record | ANR (Automatic Network Replenishment), Dual-VCA |
| IR | |
| IR Distance | 200 m |
| Smart IR | Support |
| Image | |
| Max. Resolution | 1920 × 1080 |
| Main Stream | 50Hz: 25fps (1920 × 1080, 1280 × 960, 1280 × 720) 60Hz: 30fps (1920 × 1080, 1280 × 960, 1280 × 720) |
| Sub-Stream | 50Hz: 25fps (704 × 576, 640 × 480, 352 × 288) 60Hz: 30fps (704 × 480, 640 × 480, 352 × 240) |
| Third Stream | 50Hz: 25fps (1920 × 1080, 1280 × 960, 1280 × 720, 704 × 576, 640 × 480, 352 × 288) 60Hz: 30fps (1920 × 1080, 1280 × 960, 1280 × 720, 704 × 480, 640 × 480, 352 × 240) |
| Image Enhancement | HLC/BLC/3D DNR/Defog/EIS/Regional Exposure/Regional Focus |
| SVC | Support |
| Network | |
| Network Storage | Built-in memory card slot, support Micro SD/SDHC/SDXC, up to 256 GB; NAS (NPS, SMB/ CIFS), ANR |
| Alarm Linkage | Alarm actions, such as Preset, Patrol Scan, Pattern Scan, Memory Card Video Record, Trigger Recording, Notify Surveillance Center, Upload to FTP/Memory Card/NAS, Send Email, etc. |
| Protocols | IPv4/IPv6, HTTP, HTTPS, 802.1x, Qos, FTP, SMTP, UPnP, SNMP, DNS, DDNS, NTP, RTSP, RTCP, RTP, TCP/IP, DHCP, PPPoE, Bonjour |
| API | Open-ended, support ONVIF and CGI, support HIKVISION SDK and Third-Party Management Platform |
| Simultaneous Live View | Up to 20 channels |
| User/Host | Up to 32 users. 3 levels: Administrator, Operator and User |
| Security Measures | User authentication (ID and PW), Host authentication (MAC address); HTTPS encryption; IEEE 802.1x port-based network access control; IP address filtering |
| Client | iVMS-4200, iVMS-4500, iVMS-5200, Hik-Connect |
| Web Browser | IE 8 to 11, Chrome 31.0 to 44, Firefox 30.0 to 51 |
| Interface | |
| Audio | 1-ch audio input/1-ch audio output |
| Network Interface | 1 RJ45 10 M/100 M Ethernet Interface |
| Alarm | 7-ch alarm input/2-ch alarm output |
| RS-485 | Half duplex, HIKVISION, Pelco-P, Pelco-D, self-adaptive |
| BNC | 1.0 V [p-p]/75 Ω, NTSC (or PAL) composite, BNC |
| General | |
| Power | 24 VAC±25%, Max.: 120 W |
| Working Environment | Temperature: Outdoor: -40°C to 70°C (-40°F to 158°F) Humidity: ≤ 95% |
| Wiper | Auto/Manual |
| Protection Level | IP66 Standard; 6000V Lightning Protection, Surge Protection and Voltage Transient Protection |
| Material | Aluminum alloy, ADC12 |
| Dimensions | 460 mm × 390 mm × 491 mm (18.11" × 15.35" × 19.33") |
| Weight | Approx. 15 kg (33.07 lb.) |

Order Model

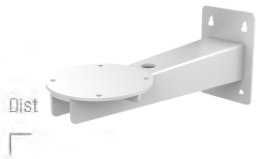
DS-2DY9225IH-A (C), 24 VAC

Dimensions



Unit: mm

Accessory



DS-1693ZJ

Wall Mounting Bracket

HIKVISION

Headquarters

No.555 Qianmo Road, Binjiang District,
Hangzhou 310051, China
T +86-571-8807-5998
overseasbusiness@hikvision.com

Hikvision USA
T +1-909-895-0400
sales.usa@hikvision.com

Hikvision Australia
T +61-2-8599-4233
salesau@hikvision.com

Hikvision India
T +91-22-28469900
sales@pramahikvision.com

Hikvision Canada
T +1-866-200-6690
sales.canada@hikvision.com

Hikvision Thailand
T +662-275-9949
sales.thailand@hikvision.com

Hikvision Europe
T +31-23-5542770
sales.eu@hikvision.com

Hikvision Italy
T +39-0438-6902
info.it@hikvision.com

Hikvision Brazil
T +55 11 3318-0050
Latam.support@hikvision.com

Hikvision Turkey
T +90 (216)521 7070- 7074
sales.tr@hikvision.com

Hikvision Malaysia
T +601-7652-2413
sales.my@hikvision.com

Hikvision UK & Ireland
T +01628-902140
sales.uk@hikvision.com

Hikvision South Africa
Tel: +27 (10) 0351172
sale.africa@hikvision.com

Hikvision France
T +33(0)1-85-330-450
info.fr@hikvision.com

Hikvision Kazakhstan
T +7-727-9730667
nikia.panfilov@hikvision.ru

Hikvision Vietnam
T +84-974270888
sales.vt@hikvision.com

Hikvision UAE
T +971-4-4432090
salesme@hikvision.com

Hikvision Singapore
T +65-6684-4718
sg@hikvision.com

Hikvision Spain
T +34-91-737-16-55
info.es@hikvision.com

Hikvision Tashkent
T +99-87-1238-9438
uzb@hikvision.ru

Hikvision Hong Kong
T +852-2151-1761
info.hk@hikvision.com

Hikvision Russia
T +7-495-669-67-99
saleru@hikvision.com

Hikvision Korea
T +82-(0)31-731-8817
sales.korea@hikvision.com

Hikvision Poland
T +48-22-460-01-50
info.pl@hikvision.com

Hikvision Indonesia
T +62-21-2933759
Sales.Indonesia@hikvision.com

Hikvision Colombia
sales.colombia@hikvision.com