

VAR2-hy8-1 Long Range Hybrid Illuminator



- Combined Infra-Red & White-Light Illumination
- Switch easily and automatically between IR & WL
- Distances up to 290m (951ft) IR & 144m (472ft) WL
- PLATINUM Elite twin-core SMT LED Technology
- Hot-spot Reduction Technology (HRT)
- VARIO Interchangeable Lens System
- VARIO Remote Control (optional)
- Angles from 10-120 degrees – from 1 product

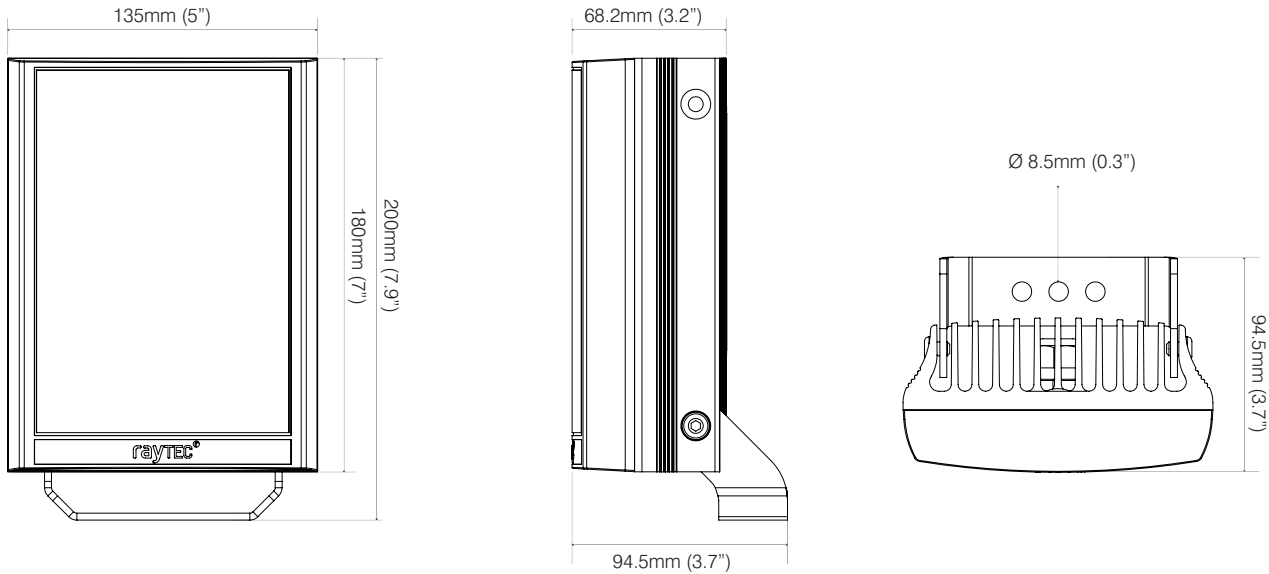
VARIO2 Hybrid illuminators use PLATINUM Elite twin-core SMT LED technology to deliver all the performance of a stand alone Infra-Red and a stand alone White-Light illuminator in a single, fully integrated two-in-one solution.

The Infra-Red illumination can be used for general surveillance whilst the White-Light can be used as a deterrent, or to deliver additional scene information upon activation. Switching from Infra-Red to White-Light illumination on-demand is easy, via a volt free switch for external devices or alarm inputs. VARIO2 Hybrid allows the creation of smart lighting systems by using either Infra-Red or White-Light as and when needed.

VARIO2 Hybrid features an interchangeable lens system with Hot-spot Reduction Technology to deliver highly even illumination, where it is most needed, for outstanding night-time images. With the optional hand-held remote control, VARIO2 Hybrid also makes installation and commissioning quicker, easier and safer.

The VARIO2 hy8 series delivers maximum distances up to 290m (951ft) IR & 144m (472ft) WL.

Product Dimensions



Features

Benefits

Two-in-one Hybrid solution

Infra-Red and White-Light in a single, fully integrated illuminator. IR for surveillance and WL for deterrent or enhanced colour picture information

Platinum Elite twin-core SMT LED Technology

PLATINUM Elite twin-core SMT LED technology allows VARIO2 Hybrid to deliver all the performance of both a stand alone Infra-Red illuminator and a stand alone White-Light illuminator in a single solution

Volt free IR/WL switch

Easy switch over between Infra-Red and White-Light via volt free switch for easy triggering of lighting on demand from external detectors or alarm inputs.

VARIO Interchangeable lens system

Angle of illumination can be easily, quickly and precisely adjusted by changing the VARIO holographic lens insert, to match the specific camera field of view.

Hot-spot Reduction Technology (HRT)

HRT - Hot-Spot Reduction Technology delivers a highly diffused, elliptical beam shape to deliver more light where it is needed, generating both longer distances and minimizing light wastage. The HRT system also prevents overexposure of foreground objects.

VARIO Remote Control (optional)

Allows set up quickly and safely from ground level and provides access to advanced set up features. Reduces both cost and time of installation and commissioning.

LED Status Indicator

Quick operational feedback on status and performance of the illuminator. Allows simple and quick commissioning of the installation and easy maintenance reviews

Green Technology

In-built green features such as power adjust, telemetry control and timer function enhance the potential for energy savings.

5 YEAR WARRANTY

All Raytec luminaires are provided with an industry leading 5 year warranty and have an expected useful life in excess of 10 years



Technical Specifications

Illuminator

Wavelength	Infra-Red 850nm (940nm options available)	White-Light
Max Distance	290m (951ft)	144m (472ft)
Total Lumens	n/a	2981lm per luminaire
Colour Temp	n/a	6000K~
Colour Reproduction Index	n/a	>70
Angle	Standard pack includes 10 circular + 35 x 10 (fitted as standard) and 60 x 25 elliptical lenses Additional optional lenses: 80 x 30 and 120 x 50	
Input	24V DC	
Consumption	40W	
Beam Shape	Elliptical with HRT (Hot-spot Reduction Technology)	
Beam Angle System	VARIO Interchangeable Lens System	
LED type	PLATINUM Elite twin-core SMT LEDs	
Number of LEDs	12 x Infra-Red, 12 x White-Light	
IP rating	IP66	
Temperature Range	- 50° to +50°C (-58 to 122°F)	
Colour	Black	
Weight	1.65kg (3.6lbs)	
Dimensions	135x180x68.2mm (5"x7"x2.6" approx.)	
Cable Length	2.5m	
Cable Specification	Red/Black - Power, White/Yellow - Photocell following output, Orange/Purple - Telemetry input	
Bracketry	U bracket included VUB Bracketry also available (Optional)	
Country of Manufacture	United Kingdom	

Integrated Command and Control Technology

Integrated Standard Features	<ul style="list-style-type: none"> In-built photocell for automatic on/off operation Photocell following output Telemetry input LED status indicator provides status on performance of the unit
Advanced Features (accessed via VARIO remote control)	<ul style="list-style-type: none"> Power adjust from 20-100% Photocell sensitivity adjust Timer function (up to 30 mins) Telemetry control LED status indicator on/off Restore factory default settings Disable programming mode

POWERS – The Open Lighting Standard

Specifications and distances based on the POWERS lighting standard
For full POWERS data and A&E specifications please contact sales@rayteccctv.com

Product Codes

Part Codes	Description	Angles	Infra-Red Distances	White-Light Distances
VAR2-hy8-1	VARIO2 hy8, 850nm and White-Light, with 3 angle options included, 24V DC	10 x 10 °	290m (951ft)	144m (472ft)
		35 x 10° (fitted as standard)	150m (492ft)	76m (249ft)
		60 x 25°	86m (282ft)	40m (131ft)
		80 x 30° (optional)	63m (207ft)	30m (98ft)
		120 x 50° (optional)	41m (135ft)	20m (66ft)
VAR2-hy8-1-c	VARIO2 hy8, 940nm and White-Light, with 3 angle options included, 24V DC	10 x 10 °	Contact Raytec	144m (472ft)
		35 x 10° (fitted as standard)	Contact Raytec	76m (249ft)
		60 x 25°	Contact Raytec	40m (131ft)
		80 x 30° (optional)	Contact Raytec	30m (98ft)
		120 x 50° (optional)	Contact Raytec	20m (66ft)

Available in double panel variants with Raytec's patented Adaptive Illumination™ system.

Adaptive Illumination™ provides more flexibility, more power, and even greater distances and allows quick easy adjustment of the horizontal beam pattern. Contact Raytec.

Optional Parts

VAR-rc	Remote Control for any VARIO Illuminator (only 1 remote needed)
VAR-i8-LENS-8030	Individual i8 VARIO lens – 80°H x 30°V
VAR-i8-LENS-12050	Individual i8 VARIO lens – 120°H x 50°V