

DS-2TD137-15/P Thermal Network Bullet Camera

DeepinView^{series}



Hikvision DS-2TD137-15/P Thermal Network Bullet Camera equipped with built-in GPU which support intelligent behavior analysis algorithm, can realize high precision VCA detection and real-time alarm. It is applied to perimeter defense and fire-prevention purposes in critical infrastructures such as: airport, railway, prison, power station, 4S stores, and so on. The pre-alarm system helps you discover unexpected events immediately and protects you from property loss.

Smart Function (Thermal Imaging)

- Image processing technology: Adaptive AGC, DDE, 3D DNR, NETD $\leq 35\text{mk}$ (@25°C, F#=1.0)
- Behavior analysis function, based on deep learning algorithm: Line crossing, Intrusion, Region Entrance & Exit
- Temperature exception alarm for fire prevention
- Fire detection algorithm

Thermal Imaging Module Function

- 384 × 288 resolution sensor, high sensitivity sensor, support contrast adjustment
- 3D DNR, 15 palettes of color adjustable, image detail enhancement
- Mirror image, digital zoom ×2, ×4, ×8, local output



Specification

| Thermal Module | |
|------------------------------|---|
| Image Sensor | Vanadium Oxide Uncooled Focal Plane Arrays |
| Max. Resolution | 384 × 288 |
| Pixel Interval | 17 μm |
| Response Waveband | 8 μm to 14 μm |
| NETD | ≤ 35mk (@25°C,F#=1.0) |
| Lens (Focal Length) | 15 mm |
| IFOV | 1.13 mrad |
| Field of View | 24.5° × 18.5° (H × V) |
| Min. Focusing Distance | 2.5 m |
| Aperture | F 1.0 |
| Smart Function | |
| VCA (Video Content Analysis) | 4 VCA rule types (Line Crossing, Intrusion, Region Entrance, and Region Exiting), up to 8 VCA rules. |
| Temperature Measurement | 3 temperature measurement rule types, 21 rules (10 points, 10 areas, and 1 line). |
| Temperature Range | -20 °C to 150 °C (-4 °F to 302 °F) |
| Temperature Accuracy | ±8 °C (14.4 °F) |
| Fire detection | Dynamic fire point detection, up to 10 fire points detectable. |
| Network | |
| Main Stream | 25 fps (1280 × 720, 704 × 576, 352 × 288,384 × 288) |
| Sub Stream | 25 fps (704 × 576, 352 × 288,384 × 288) |
| Third Stream | 25 fps (1280 × 720, 704 × 576, 352 × 288,384 × 288) |
| Video Compression | H.265/H.264/MJPEG |
| Audio Compression | G .711u/G.711a/G.722.1/MP2L2/G.726/PCM |
| Protocols | IPv4/IPv6, HTTP, HTTPS, 802.1x, Qos, FTP, SMTP, UPnP, SNMP, DNS, DDNS,NTP, RTSP, RTCP, RTP, TCP, UDP, IGMP, ICMP, DHCP, PPPoE |
| Simultaneous Live View | Up to 20 |
| User/Host level | Up to 32 users, 3 levels: Administrator, Operator, User |
| Security Measures | User authentication (ID and PW), MAC address binding, HTTPS encryption, IEEE 802.1x access control, IP address filtering |
| Interface | |
| Alarm Input | 2-ch inputs (0-5 VDC) |
| Alarm Output | 2-ch relay outputs, alarm response actions configurable |
| Alarm Action | SD Card Record/Relay Output/Smart capture/FTP upload/Email linkage |
| Audio Input | 1 3.5mm Mic in/Line in interface. Line input: 2-2.4V[p-p], output impedance:1 KΩ ± 10% |
| Audio Output | Linear Level; Impedance: 600 Ω |
| Ethernet | 1 RJ45 10M/100M Self-adaptive Ethernet interface |
| SD Memory Card | Built-in Micro SD card slot, support Micro SD/SDHC/SDXC card (up to 256G), |

| | |
|------------------------------|--|
| | support manual/alarm recording |
| Analog Video Output | 1.0V [p-p]/75 Ω, BNC, PAL/NTSC |
| Communication Interface | RS-485 |
| Application Programming | Open-ended API, support ISAPI, HIKVISION SDK and third-party management platform, ONVIF (Profile S, Profile G, Profile T) |
| Client | iVMS-4200, Hik-Connect |
| Web Browser | IE 8-11, Chrome 41-44, Firefox 30-51 |
| General | |
| Menu Language | 32 languages English, Russian, Estonian, Bulgarian, Hungarian, Greek, German, Italian, Czech, Slovak, French, Polish, Dutch, Portuguese, Spanish, Romanian, Danish, Swedish, Norwegian, Finnish, Croatian, Slovenian, Serbian, Turkish, Korean, Traditional Chinese, Thai, Vietnamese, Japanese, Latvian, Lithuanian, Portuguese (Brazil) |
| Power | 24 VAC± 25%, 12 VDC± 25%, two-core terminal block PoE (802.3af, class 3) |
| Power Consumption | 18 VAC to 30VAC: 0.13 A to 0.22A, max 5w 9 VDC to 15VDC: 0.37 A to 0.61A, max 5w PoE (802.3af, class 3): 44 V to 57 V: 0.1 A to 0.13 A, max. 5.5W |
| Working Temperature/Humidity | Temperature: -40 °C to 65 °C (-40 °F to 149 °F) Humidity: 90% or less |
| Protection Level | IP66 Standard TVS 6000V Lightning protection, surge protection, voltage transient protection |
| Dimensions | 358.3 mm × 113.5 mm × 115.2 mm (14.10" × 4.47" × 4.53") |
| Weight | Approx. 1.77 kg (3.90 lb) |

Detection Range Table

* The table is only for reference, the performance may vary from camera to camera.

Smart functions Range

Different targets trigger the VCA events within different range limits.

| VCA Range (Vehicles: 1.4×4.0m) | VCA Range (Humans: 1.8×0.5m) | Temperature Measurement (Object:2×2 m) | Temperature measurement (Object:1×1 m) | Fire Detection (Object:2×2 m) | Fire Detection (Object:1×1 m) |
|--------------------------------------|------------------------------------|--|--|----------------------------------|----------------------------------|
| 450 m | 150 m | 351 m | 177 m | 882 m | 441 m |

Wide Range Coverage

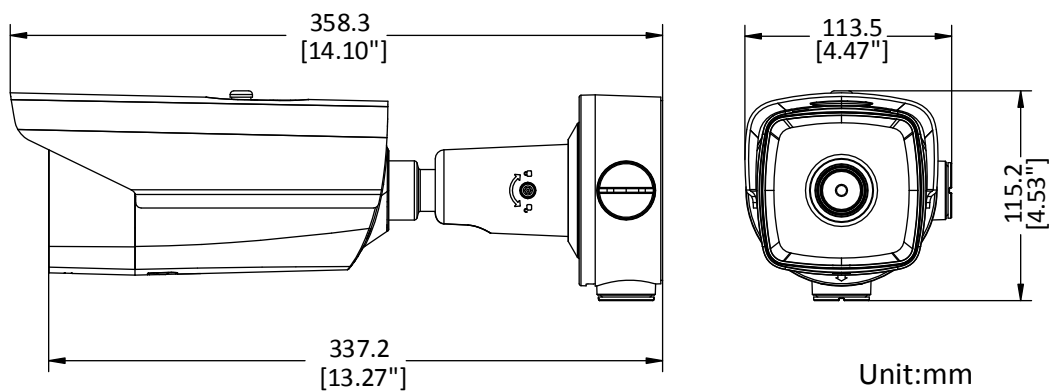
There is range limit for detecting, recognizing, and identifying human/vehicle targets.

| Detection Range (Vehicles: 1.4×4.0m) | Detection Range (Humans: 1.8×0.5m) | Recognition Range (Vehicles: 1.4×4.0m) | Recognition Range (Humans: 1.8×0.5m) | Identification Range (Vehicles: 1.4×4.0m) | Identification Range (Humans: 1.8×0.5m) |
|--|--|--|--|---|---|
| 1353 m | 441 m | 338 m | 110 m | 169 m | 55 m |

Available Model

DS-2TD2137-15/P

Dimension



Distributed by

**HIKVISION®****Headquarters**

No.555 Qianmo Road, Binjiang District,
Hangzhou 310051, China
T +86-571-8807-5998
overseasbusiness@hikvision.com

Hikvision USA
T +1-909-895-0400
sales.usa@hikvision.com

Hikvision Australia
T +61-2-8599-4233
salesau@hikvision.com

Hikvision India
T +91-22-28469900
sales@pramahikvision.com

Hikvision Canada
T +1-866-200-6690
sales.canada@hikvision.com

Hikvision Thailand
T +662-275-9949
sales.thailand@hikvision.com

Hikvision Europe
T +31-23-5542770
sales.eu@hikvision.com

Hikvision Italy
T +39-0438-6902
info.it@hikvision.com

Hikvision Brazil
T +55 11 3318-0050
Latam.support@hikvision.com

Hikvision Turkey
T +90 [216]521 7070- 7074
sales.tr@hikvision.com

Hikvision Malaysia
T +601-7652-2413
sales.my@hikvision.com

Hikvision UK & Ireland
T +01628-902140
sales.uk@hikvision.com

Hikvision South Africa
Tel: +27 (10) 0351172
sale.africa@hikvision.com

Hikvision France
T +33(0)1-85-330-450
info.fr@hikvision.com

Hikvision Kazakhstan
T +7-727-9730667
nikia.panfilov@hikvision.ru

Hikvision Vietnam
T +84-974270888
sales.vt@hikvision.com

Hikvision UAE
T +971-4-4432090
salesme@hikvision.com

Hikvision Singapore
T +65-6684-4718
sg@hikvision.com

Hikvision Spain
T +34-91-737-16-55
info.es@hikvision.com

Hikvision Tashkent
T +99-87-1238-9438
uzb@hikvision.ru

Hikvision Hong Kong
T +852-2151-1761
info.hk@hikvision.com

Hikvision Russia
T +7-495-669-67-99
saleru@hikvision.com

Hikvision Korea
T +82-(0)31-731-8817
sales.korea@hikvision.com

Hikvision Poland
T +48-22-460-01-50
info.pl@hikvision.com

Hikvision Indonesia
T +62-21-2933759
Sales.Indonesia@hikvision.com

Hikvision Colombia
sales.colombia@hikvision.com