








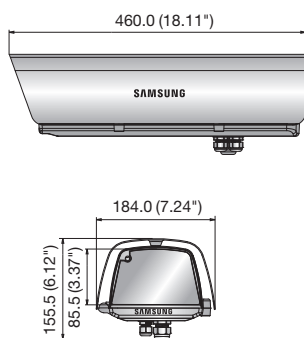
Fixed Housings

| | | SHB-4300H | SHB-4300H1 | SHB-4300H2 | SHB-4200 | SHB-4200H | STH-500 | STH-200 |
|-----------------------|----------|---|---|---|---|---|---|---|
| | |  |  |  |  |  |  |  |
| Open Type | | Side open | Side open | Side open | Side open | Side open | Side open | Side open |
| Cable Entry | | Nylon gland | Nylon gland | Nylon gland | Nylon gland | Nylon gland | Nylon gland | Nylon gland |
| Operating Temperature | Set | -35°C ~ +50°C (-31°F ~ +122°) | -50°C ~ +50°C (-58°F ~ +122°F) | -50°C ~ +50°C (-58°F ~ +122°F) | -15°C ~ +45°C (+5°F ~ +113°) | -35°C ~ +50°C (-31°F ~ +122°) | -20°C ~ +49°C (-4°F ~ +120.2°) | -15°C ~ +50°C (+5°F ~ +122°F) |
| | Heater | 5°C ± 5°C on (1 x heater : 20W) | 5°C ± 5°C on (2 x heater : 20W) | 5°C ± 5°C on (2 x heater : 20W) | N/A | 4°C ± 3°C on (1 x heater : 20W) | N/A | N/A |
| | Blower | +45°C ~ +5°C on (1 x blower : 2W) | +45°C ~ +5°C on (1 x blower : 2W) | +45°C ~ +5°C on (1 x blower : 5W) | N/A | +45°C ~ +5°C on (1 x blower : 1.6W) | N/A | N/A |
| Defroster | N/A | Always on (8W) | Always on (10W) | N/A | N/A | N/A | N/A | |
| Operating Humidity | | 0 ~ 90% RH | 0 ~ 90% RH | 0 ~ 90% RH | 0 ~ 90% RH | 0 ~ 90% RH | 0 ~ 90% RH | 0 ~ 90% RH |
| Materials | | Aluminum | Aluminum | Aluminum | Aluminum | Aluminum | Aluminum | Aluminum |
| Ingress Protection | | IP66 | IP66 | IP66 | IP66 | IP66 | N/A | N/A |
| Dimensions (WxHxD) | External | 184.0 x 127.0 x 460.0mm (7.24" x 5" x 18.11") | 184.0 x 127.0 x 460.0mm (7.24" x 5" x 18.11") | 184.0 x 127.0 x 460.0mm (7.24" x 5" x 18.11") | 148.0 x 107.0 x 421.0mm (5.8" x 4.21" x 16.57") | 148.0 x 107.0 x 421.0mm (5.83" x 4.21" x 16.57") | 144.0 x 100.0 x 500.0mm (5.67" x 3.94" x 19.69") | 118.0 x 92.0 x 405.0mm (4.65" x 3.62" x 15.94") |
| | Internal | 100.0 x 80.0 x 383.0mm (3.94" x 3.15" x 15.08") | 100.0 x 80.0 x 383.0mm (3.94" x 3.15" x 15.08") | 100.0 x 80.0 x 383.0mm (3.94" x 3.15" x 15.08") | 84.0 x 69.0 x 319.0mm (3.31" x 2.72" x 12.56") | 84.0 x 69.0 x 319.0mm (3.31" x 2.72" x 12.56") | 88.0 x 68.0 x 383.0mm (3.46" x 2.68" x 15.08") | 70.0 x 56.0 x 360.0mm (2.76" x 2.2" x 14.17") |
| Weight | | 3.5Kg (7.72 lb) | 3.7Kg (8.16 lb) | 3.7Kg (8.16 lb) | 1Kg (2.2 lb) | 1.1Kg (2.3 lb) | 1.5Kg (3.31 lb) | 1Kg (2.2 lb) |
| Input Voltage | | 24V AC | 24V AC | 230V AC | N/A | 24V AC | N/A | N/A |
| Power Consumption | | 25W | 55W | 55W | N/A | 21.6W | N/A | N/A |
| Color | | Ivory | Ivory | Ivory | Ivory | Ivory | Ivory | Ivory |
| Applicable Model | | Box Cameras (Network / Analog) | Box Cameras (Network / Analog) | Box Cameras (Network / Analog) | Box Cameras (Network / Analog) | Box Cameras (Network / Analog) | Box Cameras (Network / Analog) | Box Cameras (Network / Analog) |
| Certification | | CE (Class A) | CE (Class A) | CE (Class A) | N/A | N/A | N/A | N/A |

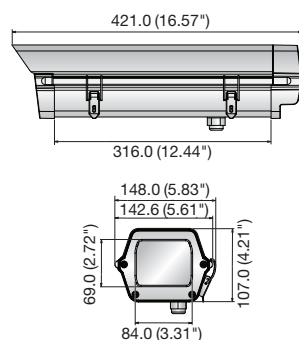
* The latest product information / specification can be found at www.samsungsecurity.com

Dimensions

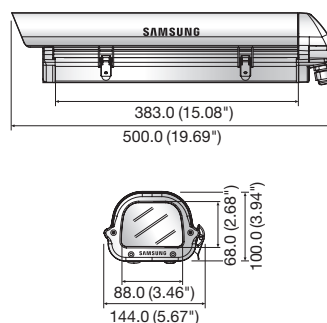
Unit : mm (inch)



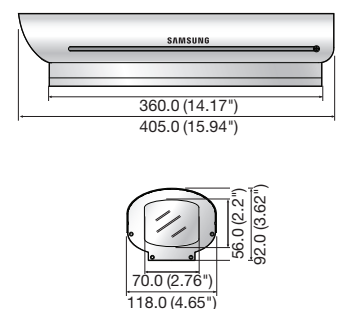
SHB-4300H/4300H1/4300H2



SHB-4200/4200H



STH-500



STH-200