

DTWRX

TELEMETRY DATA RECEIVER FOR WIPER AND WASHER REMOTE CONTROL

MAIN FEATURES

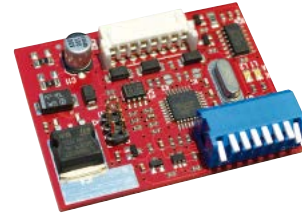
Remote control of wiper and washer pump of WASPT series in stand-alone housings

RS485 communication

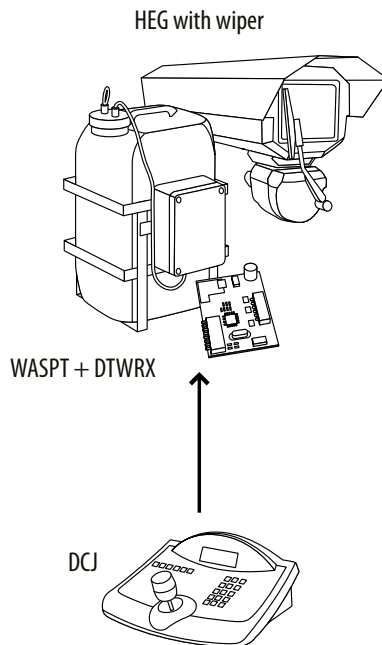
Remote controllable up to 1200m (3937ft) from the control keyboard

DESCRIPTION

The DTWRX receiver is an optional board for remote control of wiper and washer pump. It works only with WASPT pump series, where it can be easily installed thanks to its connector. It allows the control of wiper and washer functions when the housing is stand-alone, not mounted on a P&T and then without telemetry receiver.



CARD FOR REMOTE CONTROL OF WIPER AND WASHER PUMP



→ Twisted pair RS485 (max distance 1200m / 3937ft)

TECHNICAL DATA**GENERAL**

2 functions: WIPER, WASHER
 31 selectable addresses through Dip Switch
 Serial input RS-485
 2 status LED: Stand-by and receiver control

MECHANICAL

Dimensions: 43x56x13mm (1.7x2.2x0.51in)
 Unit weight: 0.02kg

ELECTRICAL

Power consumption: 0.5W

PROTOCOLS

PELCO D (2400, 9600 baud)
 VIDEOTECH MACRO (9600, 38400 baud)
 PELCO is registered trademark.

The product may be interfaced with devices not manufactured by VIDEOTECH. It is possible that the interface protocols have changed or are in a different configuration from earlier tested units by VIDEOTECH. VIDEOTECH recommends a test prior to installation. VIDEOTECH will not be liable for any installation costs or lost revenues in the event a compatibility problem will occur.

COMMUNICATIONS

Half duplex RS-485 serial interface for keypad telemetry data reception (maximum distance 1200m/3940ft) and from SM matrix range (maximum distance 1200m/73940ft)

ENVIRONMENT

Indoor/Outdoor
 Operating temperature: -10°C / +50°C (14°F / 122°F)
 At -10°C the electronic protection device DTWRX intervenes

CERTIFICATIONS

CE: EN60950-1, EN50130-4, EN55022 Class B
 FCC Part 15, Class B

RELATED PRODUCTS

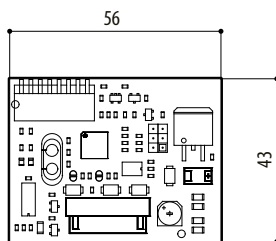
DCTEL	Matrix and telemetry control keyboard
DCJ	Keyboard for video and telemetry control
HEG	Large-sized housing
HOV	Side opening aluminium housing
NXM	Housing for installation in aggressive environments
NXL	Large housing for aggressive environments
WASPTOV5L5M00	Water tank 5l, pump with delivery up to 5m (16ft), IN 230Vac-24Vac-120Vac
WASPTOV23L5M00	Water tank 23l, pump with delivery up to 5m (16ft), IN 230Vac-24Vac-120Vac
WASPTOV23L11M00	Water tank 23l, pump with delivery up to 11m (36ft), IN 230Vac-24Vac-120Vac
WASPT1V23L30M00	Water tank 23l, pump with delivery up to 30m (98ft) with water floating, IN 230Vac
WASPT3V23L30M00	Water tank 23l, pump with delivery up to 30m (98ft) with water floating, IN 120Vac

PACKAGE

Model Number	Weight	Dimensions (WxHxL)	Master carton
DTWRX	-	8.5x5.5x11.5cm (3.4x2.2x4.5in)	-

TECHNICAL DRAWINGS

Sizes in millimeters.



DTWRX