

DS-1696ZJ-X

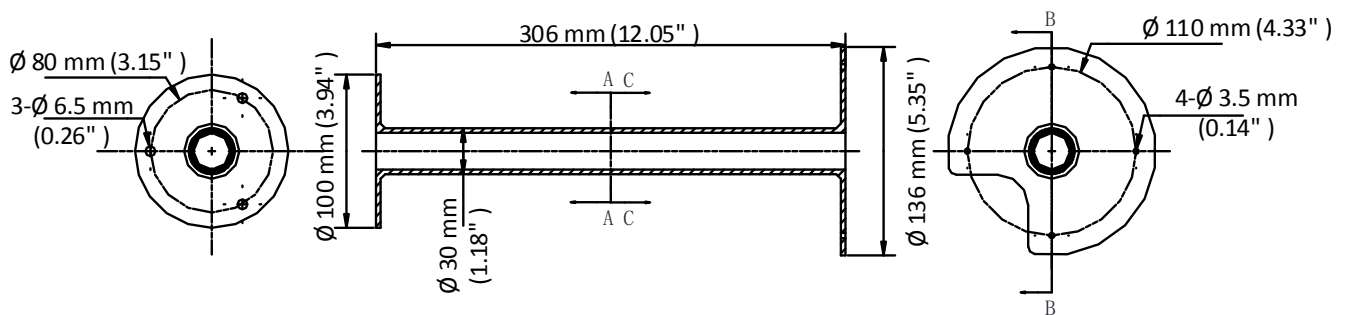
Pendant Mount



Feature

- Stainless steel with surface spray treatment
- Cable hole design facilitates the installation
- Applies to both indoor conditions and outdoor conditions

Dimension



Available Model

DS-1696ZJ-X

Parameter

Model	DS-1696ZJ-X
Parameters	Pendant Mount
Appearance	Natural Steel Color
Material	SUS316L
Dimension	Ø 136 mm × 306 mm (Ø 5.35" × 12.05")
Weight	1072 g (2.36 lb.)

Note

- The mount should be installed on the flat surface.
- The waterproof rubber is necessary for the outdoor application.
- The wall must be capable of supporting at least 3 times as much as the total weight of the camera, and the mount.
- The mount's maximum load capacity is 15 kg (33 lb.).

0100001080515