

The Wise Choice for Professionals



SND-5084

1.3MP 720p HD Network Dome Camera

- Max. 1.3M (1280 x 1024) resolution, 720p HD support
- 60fps@720p HD, Simple focus
- 3 ~ 8.5mm (2.8x) motorized varifocal lens
- Day & Night (ICR), Enhanced DIS, Defog
- WDR (130dB)
- Built-in SD/SDHC/SDXC memory slot
- Multi-crop streaming

The SND-5084 from Samsung Techwin's WiseNetIII network range features our most advanced technology with 1.3 megapixel 720p high definition images. Its high end functions include 130dB WDR, low light performance down to 0.05 lux (F1.2, 50IRE, color) creating clear images under low light conditions.

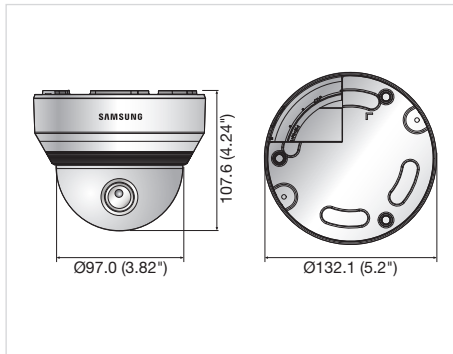
**Specifications**

	SND-5084N/P
VIDEO	
Imaging Device	1/3" 1.3M PS CMOS
Total Pixels	1,312(H) x 1,069(V)
Effective Pixels	1,305(H) x 1,049(V)
Scanning System	Progressive
Min. Illumination	Color : 0.05Lux (1/30sec, F1.2, 50IRE), 0.0008Lux (2sec, 50IRE) B/W : 0.005Lux (1/30sec, F1.2, 50IRE)
S / N Ratio	50dB
Video Output	CVBS : 1.0 Vp-p / 75Ω composite, 704 x 480(N), 704 x 576(P), for installation, DIP connector type
LENS	
Focal Length (Zoom Ratio)	3 ~ 8.5mm (2.8x) motorized varifocal
Max. Aperture Ratio	F1.2
Angular Field of View	H : 93.3°(Wide) ~ 33.2°(Tele) / V : 73.7°(Wide) ~ 26.6°(Tele)
Min. Object Distance	0.5m (1.64ft)
Focus Control	Simple focus (Motorized V/F) / Manual Remote control via network, Button control (Manual, Simple focus)
Lens Type	DC auto iris
Mount Type	Board-in type
PAN / TILT / ROTATE	
Pan / Tilt / Rotate Range	0° ~ 354° / 0° ~ 67° / 0° ~ 355°
OPERATIONAL	
Camera Title	Off / On (Displayed up to 40 characters)
Day & Night	Auto (ICR) / Color / B/W / External / Schedule
Backlight Compensation	Off / BLC
Wide Dynamic Range	130dB†
Contrast Enhancement	SSDR (Samsung Super Dynamic Range) (Off / On)
Digital Noise Reduction	SSNRIII (2D+3D noise filter) (Off / On)
Digital Image Stabilization	Off / On
Defog	Off / Auto / Manual
Motion Detection	Off / On (4ea 4points polygonal zones)
Privacy Masking	Off / On (32 zones with 4 points of polygonal)
Gain Control	Off / Low / Middle / High
White Balance	ATW / AWC / Manual / Indoor / Outdoor
Electronic Shutter Speed	Minimum / Maximum / Anti flicker (2 ~ 1/12,000sec)
Flip / Mirror	Off / On
Intelligent Video Analytics	Tampering, Virtual line, Enter/Exit, Appear / Disappear, Audio detection, Face detection
Alarm I/O	Input 1ea / Output 1ea
Alarm Triggers	Motion detection, Tampering, Audio detection, Face detection, Video analytics, Network disconnection, Alarm input
Alarm Events	File upload via FTP and E-mail, Notification via E-mail, TCP and HTTP Local storage (SD/SDHC/SDXC) recording at Network disconnected & Event (Alarm triggers), External output
NETWORK	
Ethernet	RJ-45 (10/100BASE-T)
Video Compression Format	H.264 (MPEG-4 part 10/AVC), MJPEG
Resolution	1280 x 1024, 1280 x 720P (HD), 1024 x 768, 800 x 600, 640 x 480, 320 x 240
Max. Framerate	H.264 : Max. 60fps at all resolutions MJPEG : 1280 x 1024, 1280 x 720, 1024 x 768 : Max. 15fps 800 x 600, 640 x 480, 320 x 240 : Max. 30fps
Video Quality Adjustment	H.264 : Compression level, Target bitrate level control, MJPEG : Quality level control
Bitrate Control Method	H.264 : CBR or VBR, MJPEG : VBR
Streaming Capability	Multiple streaming (Up to 10 profiles)
Audio In	Selectable (Mic in / Line in), Max output level : 1 Vrms Supply voltage : 2.5V DC (4mA), Input impedance : approx. 2K Ohm
Audio Out	Line out (3.5mm stereo mini jack)
Audio Compression Format	G.711 u-law / G.726 selectable, G.726 (ADPCM) 8KHz, G.711 8KHz G.726 : 16Kbps, 24Kbps, 32Kbps, 40Kbps
Audio Communication	Bi-directional audio
IP	IPv4, IPv6
Protocol	TCP/IP, UDP/IP, RTP(UDP), RTP(TCP), RTCP, RTSP, NTP, HTTP, HTTPS, SSL, DHCP, PPPoE, FTP, SMTP, ICMP, IGMP, SNMPv1/v2c/v3(MIB-2), ARP, DNS, DDNS, QoS, PIM-SM, UPnP, Bonjour
Security	HTTPS(SSL) login authentication, Digest login authentication IP address filtering, User access log, 802.1x authentication
Streaming Method	Unicast / Multicast
Max. User Access	15 users at unicast mode
Memory Slot	Micro SD/SDHC/SDXC Motion images recorded in the SDXC/SDHC/SD memory card can be downloaded
Application Programming Interfac	ONVIF profile S, SUNAPI 2.0, SVNP 1.2
Webpage Language	English, French, German, Spanish, Italian, Chinese, Korean, Russian, Japanese, Swedish, Danish, Portuguese, Turkish, Polish, Czech, Rumanian, Serbian, Dutch, Croatian, Hungarian, Greek, Norwegian
Web Viewer	Supported OS : Windows XP / VISTA / 7 / 8, MAC OS X 10.7 Supported Browser : Microsoft Internet Explorer (Ver. 10, 9, 8, 7), Mozilla Firefox (Ver. 19, 18, 17, 16, 15, 14, 13, 12, 11, 10, 9), Google Chrome (Ver. 25, 24, 23, 22, 21, 20, 19, 18, 17, 16, 15), Apple Safari (Ver. 6.0.2(Mac OS X 10.8, 10.7 only), 5.1.7) * Mac OS X only
Central Management Software	SmartViewer 4.0
ENVIRONMENTAL	
Operating Temperature / Humidity	-10°C ~ +55°C (+14°F ~ +131°F) / Less than 90% RH
Storage Temperature / Humidity	-30°C ~ +60°C (-22°F ~ +140°F) / Less than 90% RH
ELECTRICAL	
Input Voltage / Current	12V DC, PoE (IEEE802.3af class3)
Power Consumption	Max. 9W (12V DC), Max. 11W (PoE, Class3)
MECHANICAL	
Color / Material	Ivory / Polycarbonate (PC)
Dimensions (WxH)	Ø132.1 x 107.6mm (Ø5.2" x 4.24")
Weight	525g (1.16 lb)

* Data recorded on an SD memory card may be lost or damaged by data access during power-off, mechanical shock, memory card detachment, or other operations. Data loss or damage can also occur when a memory card reaches end of life, which varies according to operational conditions. No guarantee is given against damage (including passive damage).

Dimensions

Unit : mm (inch)

**Accessory (Optional)**

The **Eco mark** represents Samsung Techwin's will to create environment-friendly products, and indicates that the product satisfies the EU RoHS Directive.

Design and specifications are subject to change without notice.

DISTRIBUTED BY

SAMSUNG TECHWIN CO., LTD. 701, Sampyeong-dong, Bundang-gu, Seongnam-si, Gyeonggi-do Korea 463-400
Tel : +82-70-7147-8741~8749, 8752~8760 Fax : +82-31-8018-3745 www.samsungsecurity.com www.samsungcctv.com

SAMSUNG TECHWIN AMERICA INC.
100 Challenger Rd, Suite 700 Ridgely Park, NJ 07860
Toll Free : +1-877-213-1222 Direct : +1-201-325-6920
Fax : +1-201-373-0124

SAMSUNG TECHWIN EUROPE LTD.
2st floor No5, The Height, Brookland, Weybridge, Surrey, U.K.
KT13 0NY
Tel : +44-1932-82-6700 Fax : +44-1932-82-6701

SHANGHAI SAMSUNG TECHWIN CO., LTD.
32F, Bk B, International Business Center,
No. 391 Guiping Rd., Shanghai, China, 200233
Tel : +86-21-5427-1155 Fax : +86-21-5423-5122

**SAMSUNG TECHWIN**