

## DS-2XM6522FWD-I(M) (B) 2MP Weather-Vandal-Resistant Mobile Camera



### Key Features

- Up to 2.0 megapixel high resolution
- 1920 × 1080 @30fps video
- Three video streams
- 2.8/4/6 mm fixed lens
- 120dB Wide Dynamic Range
- 3D Digital Noise Reduction
- 3-Axis adjustment
- H.264, H.264+, H.265, H.265+
- 12 VDC & PoE (802.3af)
- IR range up to 10 m
- IP68 weather-proof protection
- IK10 vandal-resistant protection
- M12 aviation plug (optional)
- Multiple smart events supported



## Specifications

Camera	
Image Sensor	1/2.8" Progressive Scan CMOS
Min. Illumination	0.01Lux @ (F1.2, AGC ON), 0 Lux with IR
Shutter Speed	1/3 s to 1/100,000 s, support auto electronic shutter
Slow Shutter	Yes
Wide Dynamic Range	120dB
Day & Night	ICR Cut
Angle Adjustment	2.8 mm: pan: -15° to 15°, tilt: 15° to 30°, rotate: -90° to 90° 4 mm/6 mm: pan: -15° to 15°, tilt: 0° to 30°, rotate: -90° to 90°
Lens	
Lens Type & FOV	2.8 mm: H: 104°, V: 56°, D: 121° 4 mm: H: 77°, V: 42°, D: 91° 6 mm: H: 50°, V: 27°, D: 59°
Lens Mount	M12
Illuminator	
IR Range	up to 30 m
Wavelength	850 nm
Smart Supplement Light	Yes
Video	
Max. Resolution	1920 × 1080
Main Stream	50Hz: 25fps (1920 × 1080, 1280 × 960, 1280 × 720) 60Hz: 30fps (1920 × 1080, 1280 × 960, 1280 × 720)
Sub Stream	50Hz: 25fps (704 × 576, 640 × 480, 352 × 288, 320 × 240) 60Hz: 30fps (704 × 480, 640 × 480, 352 × 240, 320 × 240)
Third Stream	50Hz: 25fps (1920 × 1080, 1280 × 960, 1280 × 720, 704 × 576, 640 × 480, 352 × 288, 320 × 240) 60Hz: 30fps (1920 × 1080, 1280 × 960, 1280 × 720, 704 × 480, 640 × 480, 352 × 240, 320 × 240)
Video Compression	Main stream: H.265/H.264 Sub stream: H.265/H.264/MJPEG Third stream: H.265/H.264
Video Bit Rate	32 Kbps to 16 Mbps
H.264 Type	Baseline Profile/Main Profile/High Profile
H.265 Type	Main Profile
H.264+	Yes
H.265+	Yes
Region of Interest (ROI)	Support 4 fixed regions for each stream, or face dynamic tracking

<b>Network</b>	
API	ONVIF (PROFILE S, PROFILE G), ISAPI
Protocols	TCP/IP, UDP, ICMP, HTTP, HTTPS, FTP, DHCP, DNS, DDNS, RTP, RTSP, RTCP, PPPoE, NTP, UPnP, SMTP, SNMP, IGMP, 802.1X, QoS, IPv6
Network Storage	NAS (Support NFS, SMB/CIFS)
<b>Image</b>	
Day/Night Switch	Auto/Schedule
Target Cropping	Yes
DNR	3D DNR
Picture Overlay	LOGO picture can be overlaid on video with 128 × 128, 24 bit bmp format
Image Enhancement	BLC/HLC/3D DNR/Defog/EIS
Image Settings	Support rotate mode. Brightness, contrast, saturation, etc., adjustable via web browser and client software
<b>Interface</b>	
Alarm	Motion Detection, Tampering Alarm, Network Disconnected, IP Address Conflict, Illegal Login, HDD full, HDD error
Communication Interface	-IM: M12 thread size (-female) plug; -I: 1 RJ45 10M/100M Ethernet port ;
<b>Intelligent (Traditional Algorithm)</b>	
Face Detection	Yes
<b>Intelligent (Deep Learning Algorithm)</b>	
Behavior Analysis	Line crossing detection, Intrusion detection, Region entrance, Region exiting, Unattended baggage, Object removal; Exception Detections: Scene change detection, defocus detection
<b>General</b>	
General Function	One-key Reset, Anti-Flicker, Three Streams, Heartbeat, Mirror, Password Protection, Privacy Mask, Watermark, IP Address Filter
Startup and Operating Conditions	-40 °C to 70 °C (-40 °F to 158 °F), Humidity 95% or less (non-condensing)
Power Supply	12 VDC; PoE (802.3af)
Power Consumption and Current	Max. 9W
Camera Dimension	163.7 × 122.6 × 65.1 mm (6.4" × 4.8" × 2.6")
Camera Weight	Camera: 960g (2.1 lb.) With Package: 1050g (2.3 lb.)

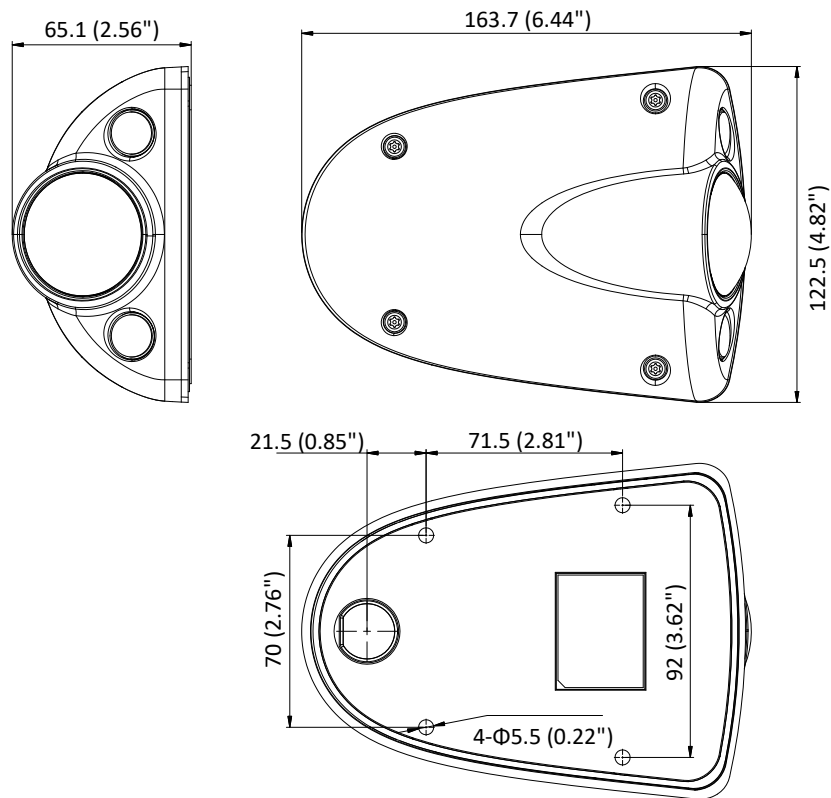
Approval	
EMC	FCC (47 CFR Part 15, Subpart B); CE-EMC (EN 55032: 2015, EN 61000-3-2: 2014, EN 61000-3-3: 2013, EN 50130-4); RCM (AS/NZS CISPR 32:2015); IC (ICES-003: Issue 6, 2016); KC (KN 32: 2015, KN 35: 2015); E-MARK (ECE R10);
Safety	UL (UL 60950-1); CB (IEC 60950-1:2005 + Am 1:2009 + Am 2:2013); BIS (IS 13252 (Part 1): 2010+A1:2013+A2:2015); CE-LVD (EN 60950-1:2005 + Am 1:2009 + Am 2:2013); LOA (IEC/EN 60950-1);
Environment	CE-ROHS (2011/65/EU); REACH (Regulation (EC) No 1907/2006); WEEE (2012/19/EU);
Protection	IP68(IEC 60529-2013), IK10(IEC 62262:2002)

## Available Model

DS-2XM6522WD-I(B): a RJ45 network interface and a power supply interface

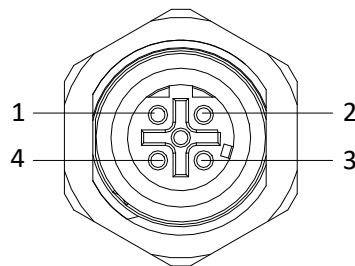
DS-2XM6522WD-IM(B): an M12 aviation plug

**Dimension**



Unit: mm (inch)

**Interface Description**



	M12 Wire	R-J45 Wire
<b>TX+</b>	1	1
<b>TX-</b>	3	2
<b>RX+</b>	2	3
<b>RX-</b>	4	6

M12 Interface Description

Distributed by

**HIKVISION®****Headquarters**

No.555 Qianmo Road, Binjiang District,  
Hangzhou 310051, China  
T +86-571-8807-5998  
overseasbusiness@hikvision.com

**Hikvision USA**

T +1-909-895-0400  
sales.usa@hikvision.com

**Hikvision Australia**

T +61-2-8599-4233  
salesau@hikvision.com

**Hikvision India**

T +91-22-28469900  
sales@pramahikvision.com

**Hikvision Canada**

T +1-866-200-6690  
sales.canada@hikvision.com

**Hikvision Thailand**

T +662-275-9949  
sales.thailand@hikvision.com

**Hikvision Europe**

T +31-23-5542770  
sales.eu@hikvision.com

**Hikvision Italy**

T +39-0438-6902  
info.it@hikvision.com

**Hikvision Brazil**

T +55 11 3318-0050  
Latam.support@hikvision.com

**Hikvision Turkey**

T +90 (216)521 7070- 7074  
sales.tr@hikvision.com

**Hikvision Malaysia**

T +601-7652-2413  
sales.my@hikvision.com

**Hikvision UK & Ireland**

T +01628-902140  
sales.uk@hikvision.com

**Hikvision South Africa**

Tel: +27 (10) 0351172  
sale.africa@hikvision.com

**Hikvision France**

T +33(0)1-85-330-450  
info.fr@hikvision.com

**Hikvision Kazakhstan**

T +7-727-9730667  
nikia.panfilov@hikvision.ru

**Hikvision Vietnam**

T +84-974270888  
sales.vt@hikvision.com

**Hikvision UAE**

T +971-4-4432090  
salesme@hikvision.com

**Hikvision Singapore**

T +65-6684-4718  
sg@hikvision.com

**Hikvision Spain**

T +34-91-737-16-55  
info.es@hikvision.com

**Hikvision Tashkent**

T +99-87-1238-9438  
uzb@hikvision.ru

**Hikvision Hong Kong**

T +852-2151-1761  
info.hk@hikvision.com

**Hikvision Russia**

T +7-495-669-67-99  
saleru@hikvision.com

**Hikvision Korea**

T +82-(0)31-731-8817  
sales.korea@hikvision.com

**Hikvision Poland**

T +48-22-460-01-50  
info.pl@hikvision.com

**Hikvision Indonesia**

T +62-21-2933759  
Sales.Indonesia@hikvision.com

**Hikvision Colombia**

sales.colombia@hikvision.com