

## DS-2CE56D0T-IRP HD1080P Indoor IR Turret Camera



### Key Features

- 2 Megapixel high-performance CMOS
- Analog HD output, up to 1080P resolution
- True Day/Night, Smart IR
- Up to 20m IR distance



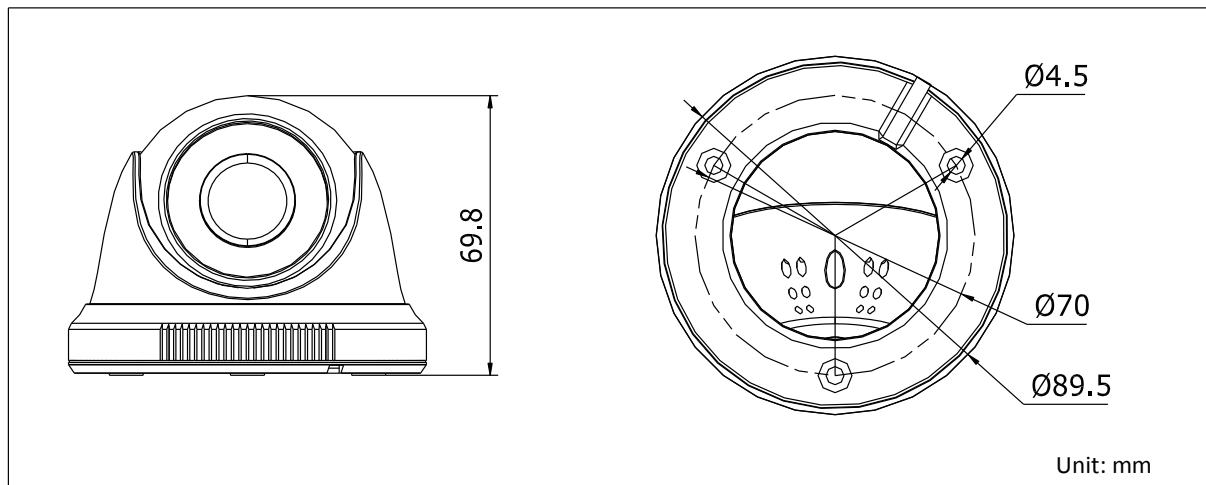
## Specifications

| <b>Camera</b>        |                                                                        |
|----------------------|------------------------------------------------------------------------|
| Image Sensor         | 2MP CMOS Image Sensor                                                  |
| Signal System        | PAL/NTSC                                                               |
| Effective Pixels     | 1920(H)*1080(V)                                                        |
| Min. illumination    | 0.01 Lux @ (F1.2,AGC ON),0 Lux with IR                                 |
| Shutter Time         | 1/25(1/30)s to 1/50,000s                                               |
| Lens                 | 2.8mm, 3.6mm, 6mm optional                                             |
|                      | Angle of View: 103°(2.8mm), 82.2°(3.6mm), 54°(6mm)                     |
| Lens Mount           | M12                                                                    |
| Day & Night          | ICR                                                                    |
| Angle Adjustment     | Pan: 0 - 360°, Tilt: 0 - 75°, Rotation: 0 - 360°                       |
| Synchronization      | Internal synchronization                                               |
| Video Frame Rate     | 1080p@25fps/1080p@30fps                                                |
| HD Video Output      | 1 Analog HD output                                                     |
| S/N Ratio            | >62dB                                                                  |
| <b>General</b>       |                                                                        |
| Operating Conditions | -20 °C - 45 °C (-4 °F - 113 °F), Humidity 90% or less (non-condensing) |
| Power Supply         | 12 VDC ± 15%                                                           |
| Power Consumption    | Max. 4W                                                                |
| IR Range             | Up to 20m                                                              |
| Dimension            | Φ89.5 × 69.8 mm(Φ3.52" × 2.75")                                        |
| Weight               | 250 g                                                                  |

## Order Models

DS-2CE56D0T-IRP

## Dimensions



## Accessories



DS-1272ZJ-110-TRS  
Wall Mounting



DS-1275ZJ  
Vertical Pole Mounting



DS-1276ZJ  
Corner Mounting



DS-1H18  
Video Balun



X41T  
Camera Tester



DS-1280ZJ-XS  
Junction box

Distributed by



### Headquarters

No.555 Qianmo Road, Binjiang District,  
Hangzhou 310051, China  
T +86-571-8807-5998  
overseasbusiness@hikvision.com

### Hikvision Poland

T +48-22-460-01-50  
poland@hikvision.com

### Hikvision USA

T +1-909-895-0400  
sales.usa@hikvision.com

### Hikvision India

T +91-22-28469900  
sales@pramahikvision.com

### Hikvision UK

T +44-1628-9021-4  
support.uk@hikvision.com

### Hikvision Europe

T +31-23-5542770  
saleseuro@hikvision.com

### Hikvision Italy

T +39-0438-6902  
info.it@hikvision.com

### Hikvision Singapore

T +65-6684-4718  
sg@hikvision.com

### Hikvision Middle East

T +971-4-8816086  
salesme@hikvision.com

### Hikvision France

T +33(0)1-85-330-444  
info.fr@hikvision.com

### Hikvision Oceania

T +61-2-8599-4233  
salesau@hikvision.com

### Hikvision Russia

T +7-495-669-67-99  
saleru@hikvision.com

### Hikvision Spain

T +34-91-737-16-55  
info.es@hikvision.com

### Hikvision Hong Kong

T +852-2151-1761