

# BRACKETS AND ADAPTERS FOR PAN & TILT MOTORS

## PTAC WALL MOUNT FOR PTH300 SERIES AND LIGHT DUTY P&T MOTORS

Made of aluminium

Load rating: 35kg (77lb)

Unit weight: 0.7kg (1,5lb)

## PTBC WALL BRACKET FOR PTH900 P&T MOTORS

Made of aluminium

Load rating: 50kg (110lb)

Unit weight: 2.2kg (4.8lb)

## WFWBTA PARAPET BRACKET

Made of aluminium

Load rating: 50kg (110lb)

Height: 185mm (7.3in)

Unit weight: 0.8kg (1.7lb)

## PTCC1 POLE MOUNT ADAPTOR

Made of aluminium

For pole diameters: 80÷150mm (3÷5.9in)

Load rating: 50kg (110lb)

Unit weight: 2.6kg (5.7lb)

## WCWA CORNER MOUNT ADAPTER

Made of steel

Load rating: 30kg (66lb)

## WSFPA POLE MOUNT ADAPTOR

Made of aluminium

It allows the internal cable management

Load rating: 30kg (66lb)

For pole diameters: 65÷110mm (2.6÷4.3in)

Unit weight: 0.9kg

## WCWGC CORNER MOUNT ADAPTER

Made of steel

Load rating: 50kg (110lb)

Unit weight: 2.2kg (4.8lb)

## WCPA REINFORCING SUPPORT PLATE FOR POOR CONSISTENCY WALLS

Made of aluminium

Available with a supporting box with internal cable channel

Load rating: 50kg (110lb)

Unit weight: 0.6kg (1.3lb)



PTAC



PTBC



WFWBTA



PTCC1



WCWA



WSFPA



WCWGC



WCPA

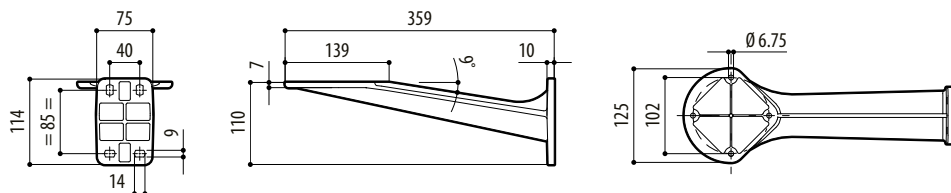
COMPATIBILITY BRACKETS/ADAPTERS		
	P&T brackets	
	PTBC	PTAC
<b>Pole mount adaptor</b>		
WSFPA	–	✓
PTCC1	✓	–
<b>Corner mount adaptor</b>		
WCWA	–	✓
WCWGC	✓	–
<b>Support plate adaptor</b>		
WCPA	–	✓

PACKAGE			
Model Number	Weight	Dimensions (WxHxL)	Master carton
PTAC	0.9kg	13.5x13.5x45cm (5x5x18in)	10
PTBC	2.5kg (5.5lb)	20.5x15.5x49cm (8x6x19in)	8
WFWBTA	1kg (2.2lb)	14.3x15x27cm (5.5x6x11in)	15
PTCC1	2.8kg (6.2lb)	14x25.5x20cm (5.5x10x7.9in)	8

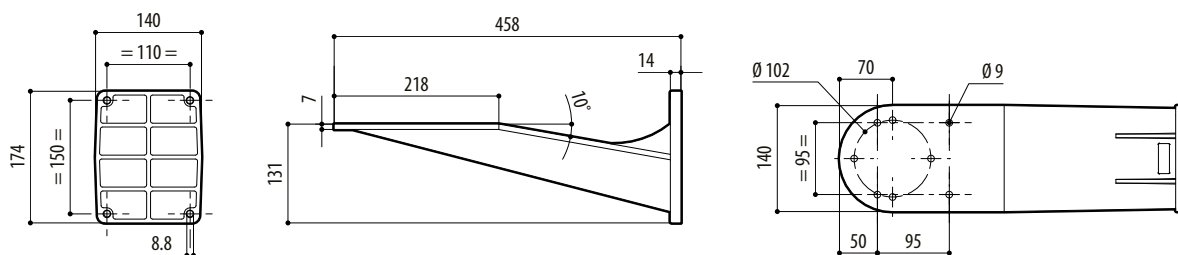
PACKAGE			
Model Number	Weight	Dimensions (WxHxL)	Master carton
WCWA	1.1kg (2.2lb)	14.5x15x27cm (6x6x11in)	15
WSFPA	1kg (2.2lb)	10x16x23cm (4x6x9in)	15
WCWGC	2.6kg (5.7lb)	24x32x24.5cm (9.4x12.6x9.6in)	8
WCPA	07kg (15lb)	10x16x23cm (4x6x9in)	30

**TECHNICAL DRAWINGS**

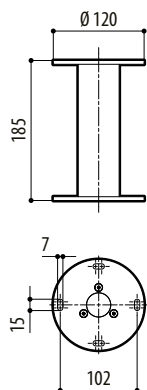
Sizes in millimeters.



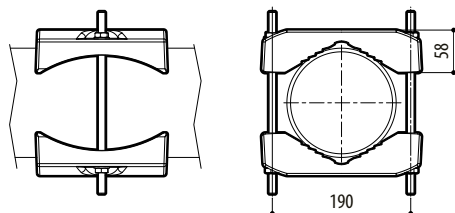
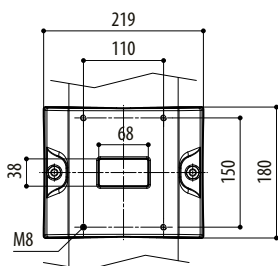
PTAC



PTBC



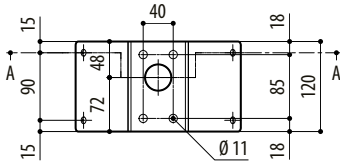
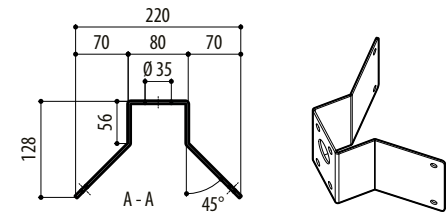
WFWBTA



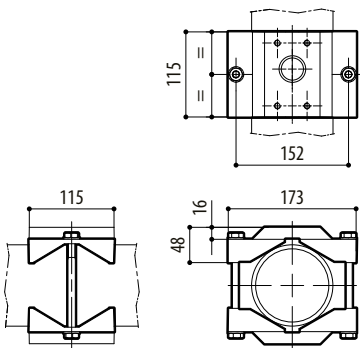
PTCC1

**TECHNICAL DRAWINGS**

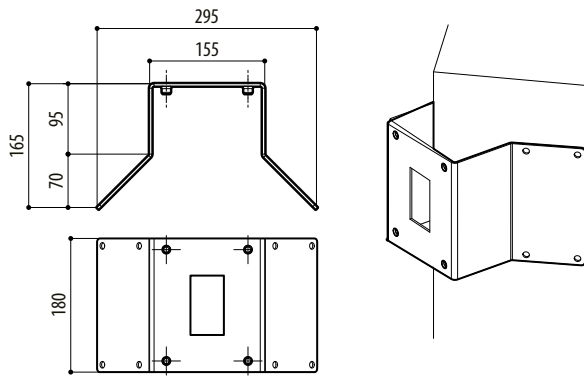
Sizes in millimeters.



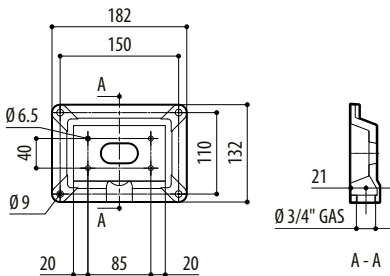
WCWA



WSFPA



WCWGC



WCPA

