

DS-2CV2U21FD-IW 2 MP IR Fixed Network Cube Camera



- 1/2.7" Progressive Scan CMOS
- 1920 × 1080@30fps
- BLC, HLC, 3D DNR
- H.265, H.265+, H.264, H.264+

- IR range: Up to 10 m
- Built-in micro SD/SDHC/SDXC card slot, up to 256 GB
- Built-in Wi-Fi
- Mobile Monitoring via Hik-Connect



Specifications

Camera	
Image Sensor	1/2.7" Progressive Scan CMOS
Min. Illumination	Color: 0.028 Lux @ (F2.0, AGC ON), 0 Lux with IR
Shutter Speed	1/3 s to 1/100,000 s
Slow Shutter	Yes
Day & Night	IR Cut Filter
WDR	DWDR
Angle Adjustment	Pan: 0° to 360°, Tilt: -70° to 25°
Lens	
Lens Type	Fixed lens, 2.0/2.8 mm
Aperture	2.0 mm: F2.2 2.8 mm: F2.0
FOV	2.0 mm@F2.2: horizontal FOV: 136°, vertical FOV: 80°, diagonal FOV: 153° 2.8 mm@F2.0: horizontal FOV: 112°, vertical FOV: 60°, diagonal FOV: 132°
Lens Mount	M12
Illuminator	
IR Range	Up to 10 m
Wavelength	850 nm
Video	
Max. Resolution	1920 × 1080
Main Stream	50Hz: 25fps (1920 × 1080, 1280 × 720) 60Hz: 30fps (1920 × 1080, 1280 × 720)
Sub Stream	50Hz: 25fps (640 × 360) 60Hz: 30fps (640 × 360)
Video Compression	Main stream: H.265+/H.264+/H.265/H.264 Sub-stream: H.265/H.264/MJPEG
H.264 Type	Baseline Profile/Main Profile
H.265 Type	Main Profile
Video Bit Rate	32 Kbps to 8 Mbps
Audio	
Audio Compression	G.711/G.722.1/G.726/MP2L2/PCM
Audio Bit Rate	64Kbps(G.711)/16Kbps(G.722.1)/16Kbps(G.726)/32-192Kbps(MP2L2)
Environment Noise Filtering	Yes
Audio Sampling Rate	8 kHz/16 kHz
Smart Feature-Set	
Basic Event	Motion detection, exception (network disconnected, IP address conflict, illegal login, HDD full, HDD error)
Linkage Method	Upload to NAS/memory card, notify surveillance center, trigger recording, trigger capture, audible warning

Image	
Image Enhancement	BLC, HLC, 3D DNR
Image Setting	Saturation, brightness, contrast, sharpness, AGC and white balance adjustable by client software
Day/Night Switch	Day/Night/Auto/Schedule
SNR	> 50dB
Network	
Network Storage	microSD/SDHC/SDXC card (256 GB) local storage, ANR and NAS (NFS,SMB/CIFS)
Protocols	TCP/IP, ICMP, DHCP, DNS, DDNS, HTTP, RTP, RTSP, NTP, UPnP, IGMP, IPv6, UDP, QoS, Bonjour
API	ISAPI, SDK
Security	Password protection, complicated password, watermark, IP address filter
Simultaneous Live View	Up to 6 channels
User/Host	Up to 32 users, 3 levels: administrator, operator and user
Client	iVMS-4200, Hik-Connect, iVMS-4500, iVMS-5200
Interface	
Audio	Built-in microphone & speaker
On-board storage	Built-in micro SD/SDHC/SDXC slot, up to 256 GB
Wi-Fi	
Protocol	IEEE802.11b, 802.11g, 802.11n
Frequency	2.4 GHz - 2.4835 GHz
Channel Bandwidth	20/40MHz Support
Modulation	802.11b: DSSS, 802.11g: OFDM, 802.11n(20MHz&40MHz): OFDM
Security	64/128-bit WEP, WPA-EAP/WPA2-EAP, WPA-PSK/WPA2-PSK
Transfer Rate	11b: 11Mbps, 11g: 54Mbps, 11n: up to 150Mbps
Wireless Range	80 meters (The performance varies based on actual environment)
General	
General Function	Anti-flicker, heartbeat, mirror, password protection, flash log
Reset	Reset via reset button on camera body and client software
Startup and Operating Conditions	-10 °C to 40°C (14 °F to 104 °F), humidity 95% or less (non-condensing)
Storage Conditions	-10 °C to 40°C (14 °F to 104 °F), humidity 95% or less (non-condensing)
Power Supply	5 VDC ± 10%, micro USB interface
Power Consumption and Current	5 VDC, 1.3 A, max. 6.5 W
Material	Plastic
Dimensions	Camera: Ø64 × 112 mm (Ø2.5" × 4.4") With package: 216 × 121 × 118 mm (8.5" × 4.8" × 4.6")
Weight	Camera: Approx. 120 g (0.3 lb.) With package: Approx. 390 g (0.9 lb.)

Approval

EMC	47 CFR Part 15, Subpart B; EN 55032: 2015, EN 61000-3-2: 2014, EN 61000-3-3: 2013, EN 50130-4: 2011 +A1: 2014; AS/NZS CISPR 32: 2015; ICES-003: Issue 6, 2016; KN 32: 2015, KN 35: 2015
Safety	UL 60950-1, IEC 60950-1:2005 + Am 1:2009 + Am 2:2013, EN 60950-1:2005 + Am 1:2009 + Am 2:2013, IS 13252(Part 1):2010+A1:2013+A2:2015, IEC/EN 60950-1
Chemistry	2011/65/EU, 2012/19/EU, Regulation (EC) No 1907/2006

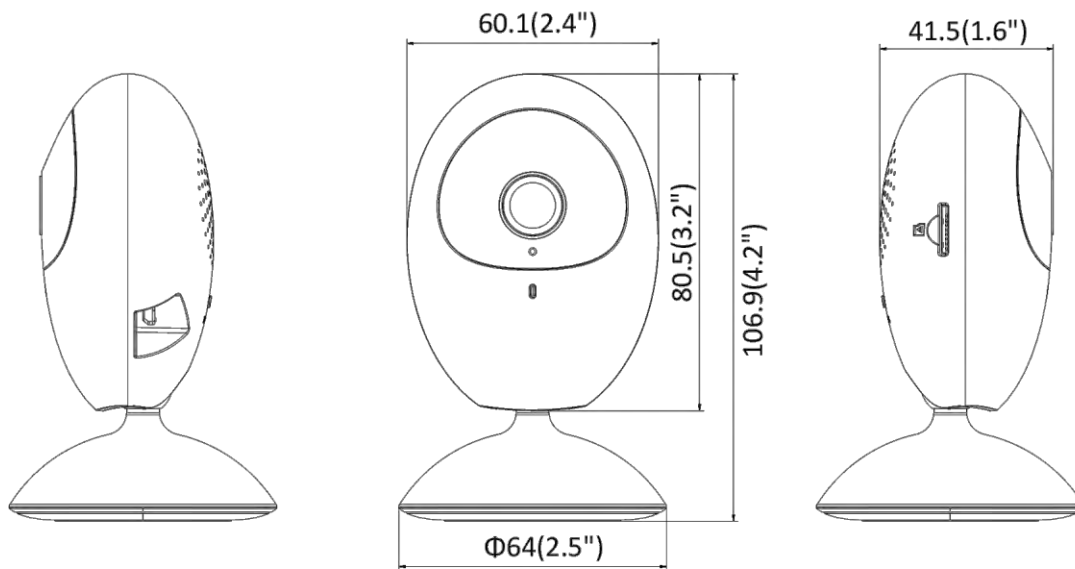
* Listed resolutions are only selectable options. It does not mean that all streams can work at their maximum resolution at the same time.

Available Model

DS-2CV2U21FD-IW (2.0 mm)

DS-2CV2U21FD-IW (2.8 mm)

Dimension



Unit: mm(inch)

Distributed by

**HIKVISION®****Headquarters**

No.555 Qianmo Road, Binjiang District,
Hangzhou 310051, China
T +86-571-8807-5998
overseasbusiness@hikvision.com

Hikvision USA
T +1-909-895-0400
sales.usa@hikvision.com

Hikvision Australia
T +61-2-8599-4233
salesau@hikvision.com

Hikvision India
T +91-22-28469900
sales@pramahikvision.com

Hikvision Canada
T +1-866-200-6690
sales.canada@hikvision.com

Hikvision Thailand
T +662-275-9949
sales.thailand@hikvision.com

Hikvision Europe
T +31-23-5542770
sales.eu@hikvision.com

Hikvision Italy
T +39-0438-6902
info.it@hikvision.com

Hikvision Brazil
T +55 11 3318-0050
Latam.support@hikvision.com

Hikvision Turkey
T +90 [216]521 7070- 7074
sales.tr@hikvision.com

Hikvision Malaysia
T +601-7652-2413
sales.my@hikvision.com

Hikvision UK & Ireland
T +01628-902140
sales.uk@hikvision.com

Hikvision South Africa
Tel: +27 (10) 0351172
sale.africa@hikvision.com

Hikvision France
T +33(0)1-85-330-450
info.fr@hikvision.com

Hikvision Kazakhstan
T +7-727-9730667
nikia.panfilov@hikvision.ru

Hikvision Vietnam
T +84-974270888
sales.vt@hikvision.com

Hikvision UAE
T +971-4-4432090
salesme@hikvision.com

Hikvision Singapore
T +65-6684-4718
sg@hikvision.com

Hikvision Spain
T +34-91-737-16-55
info.es@hikvision.com

Hikvision Tashkent
T +99-87-1238-9438
uzb@hikvision.ru

Hikvision Hong Kong
T +852-2151-1761
info.hk@hikvision.com

Hikvision Russia
T +7-495-669-67-99
saleru@hikvision.com

Hikvision Korea
T +82-(0)31-731-8817
sales.korea@hikvision.com

Hikvision Poland
T +48-22-460-01-50
info.pl@hikvision.com

Hikvision Indonesia
T +62-21-2933759
Sales.Indonesia@hikvision.com

Hikvision Colombia
sales.colombia@hikvision.com