

# HCO-7030RA

QHD (4MP) Analog IR Bullet Camera



## Key Features

- QHD (2560 x 1440, 30fps) resolution
- 0.27 Lux@F2.0 (Color), 0 Lux (B/W : IR LED on)
- Built-in 6.0mm fixed lens
- Day & Night (ICR), DWDR, Motion detection
- IR Viewable Length 30m
- Transmission distance max.500m
- Easy installation (Plug & play), IP66, IK10

## Accessories (Optional)



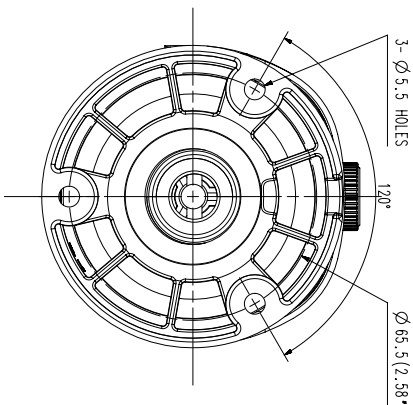
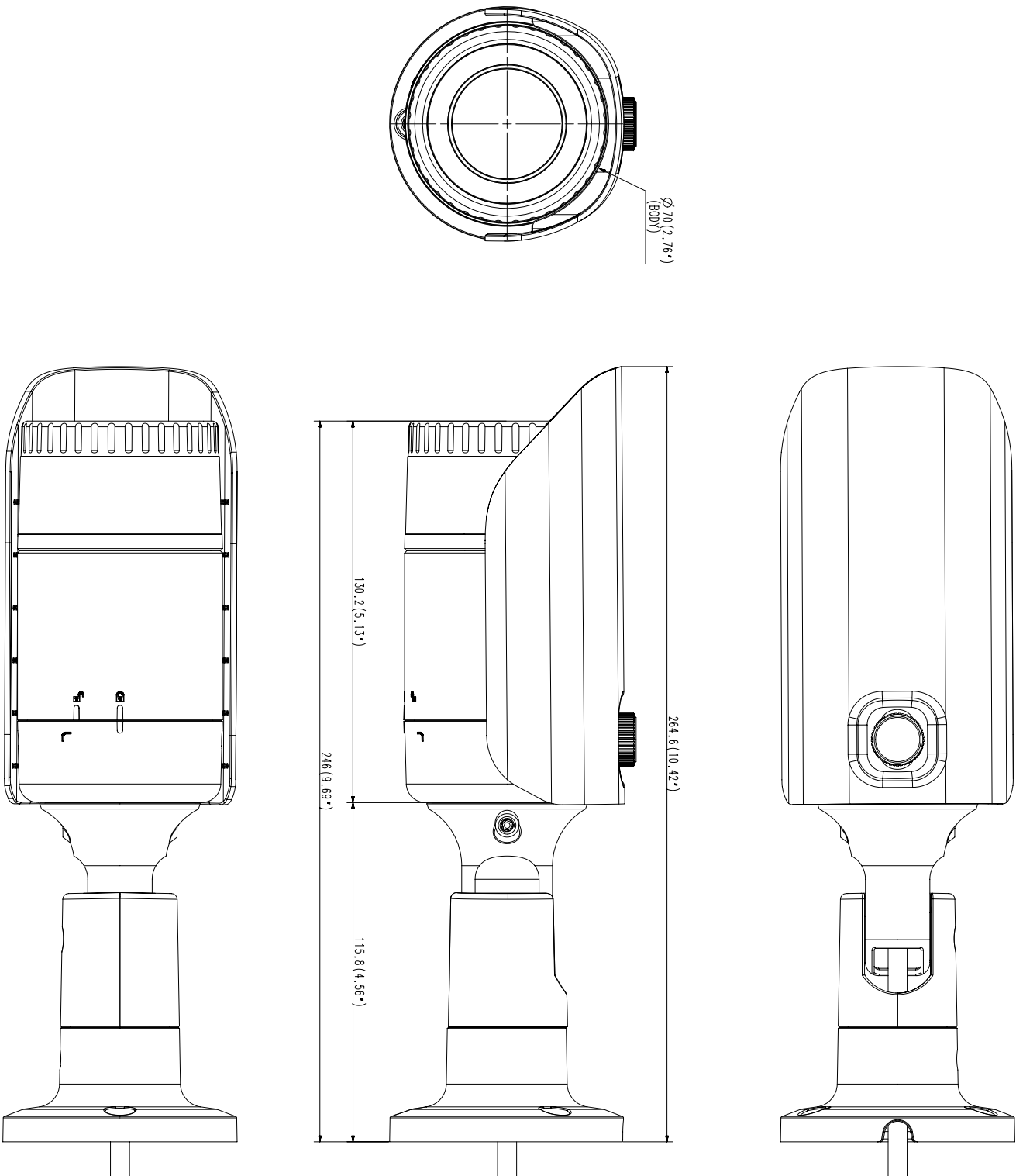
SBO-100B1



SBP-302PM

<b>Video</b>	
Imaging Device	1/3" 4MP CMOS
Effective Pixels	2688(H)x1520(V)
Min. Illumination	Color: 0.27Lux(F2.0, 1/30sec) BW: 0Lux(IR LED on)
Video Out	BNC(AHD), additional CVBS for installation(2Pin connector type)
<b>Lens</b>	
Focal Length (Zoom Ratio)	6.0mm fixed
Max. Aperture Ratio	F2.0
Angular Field of View	H: 49.01°, V: 27.61°, D: 55.60°
Min. Object Distance	0.5m(1.64ft)
<b>Operational</b>	
IR Viewable Length	30m(98.43ft)
Day & Night	Auto(ICR)
Backlight Compensation	UserBLC, HLC, DWDR
Digital Noise Reduction	2DDNR
Motion Detection	4 zones
Privacy Masking	2 zones
Gain Control	Low / Middle / High / Very High
White Balance	ATW / AWC / Manual / Indoor / Outdoor
Electronic Shutter Speed	1/30 ~ 1/12,000sec(N), 1/25~ 1/12,000sec(P)
Video Rotation	H-Rev/V-Rev
Analytics	Motion detection
Coaxial Protocol	ACP(AHD Coax Protocol), CVBS: Pelco-C(Coaxitron)
Video Transmission Distance	500m(5C2V Coaxial Cable)
<b>Network</b>	
Resolution	2560x1440
Max. Framerate	30fps@4M(N), 25fps@4M(P)
<b>Environmental</b>	
Operating Temperature / Humidity	-30°C ~ +55°C (-22°F ~ +131°F) / Less than 90% RH * Start up should be done at above -10°C
Certification	IP66, IK10
<b>Electrical</b>	
Input Voltage	12VDC
Power Consumption	Max 5W
<b>Mechanical</b>	
Color / Material	Dark Gray / Aluminum
Product dimensions / weight	Ø70.0 x 246.0mm(Ø2.76"x9.69"), 670g(1.48 lb)

- The latest product information / specification can be found at [hanwha-security.com](http://hanwha-security.com)
- Design and specifications are subject to change without notice.
- Wisenet is the proprietary brand of Hanwha Techwin, formerly known as Samsung Techwin.



UNIT (inch)	MM	DESIGN	CHECK	APPROVAL	PART NAME
SCALE 1 / 1	HTW	-	-	-	-
17.07.26	17.07.26	17.07.26	17.07.26	17.07.26	HCO-7010R/7020R/7030R
Hanwha Techwin					CODE NO. 049964