

## DS-2CE10DF8T-FSLN 2 MP ColorVu Audio Fixed Mini Bullet Camera



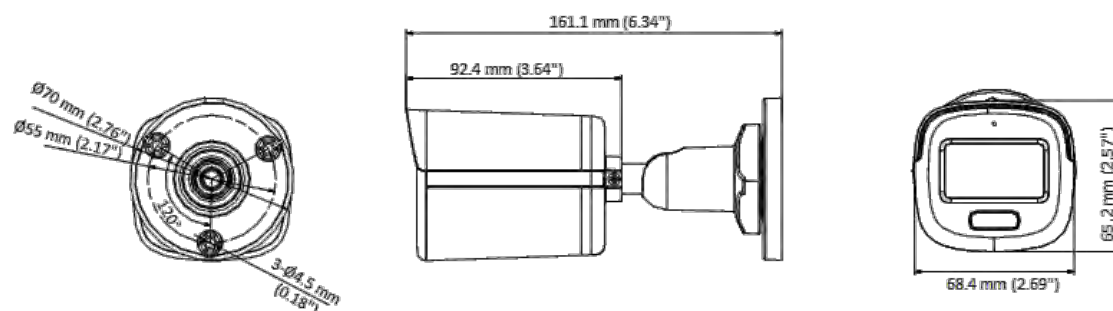
- High quality imaging with 2 MP, 1920 × 1080 resolution
- 24/7 color imaging with F1.0 aperture
- Clear imaging against strong back light due to 130 dB true WDR technology
- 3D DNR technology delivers clean and sharp images
- 2.8 mm, 3.6 mm fixed focal lens
- Up to 20 m white light distance for bright night imaging
- High quality audio with audio over coaxial cable, built-in mic
- One port for four switchable signals (TVI/AHD/CVI/CVBS)
- Water and dust resistant (IP67)



## ▪ Specification

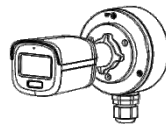
| Specification            |   |
|--------------------------|---|
| Image Sensor             | 2 MP CMOS   |
| Signal System            | PAL/NTSC  |
| Resolution               | 1920 (H) × 1080 (V)   |
| Frame Rate               | TVI: 1080p @ 25 fps/30 fps<br>CVI: 1080p @ 25 fps/30 fps<br>AHD: 1080p @ 25 fps/30 fps<br>CVBS: PAL/NTSC                                  |
| Min. Illumination        | 0.0003 Lux @ (F1.0, AGC ON), 0 Lux with white light   |
| Shutter Time             | PAL: 1/25 s to 1/50,000 s; NTSC: 1/30 s to 1/50,000 s   |
| Slow Shutter             | Max. 16 times   |
| Lens                     | 2.8 mm, 3.6 mm fixed focal lens   |
| Field of View            | 2.8 mm, horizontal FOV: 106°, vertical FOV: 56°, diagonal FOV: 129°<br>3.6 mm, horizontal FOV: 83°, vertical FOV: 44°, diagonal FOV: 100° |
| Lens Mount               | M12   |
| Light Alarm              | Solid Light Alarm (White Light)   |
| Day & Night              | Color   |
| WDR (Wide Dynamic Range) | ≥130 dB   |
| Angle Adjustment         | Pan: 0° to 360°, Tilt: 0° to 90°, Rotation: 0° to 360°  |
| Menu                     |   |
| White Light              | Auto/Off  |
| Image Mode               | STD/HIGH-SAT/HIGHLIGHT  |
| AGC                      | Yes   |
| Day/Night Mode           | Color   |
| White Balance            | Auto  |
| AE (Auto Exposure) Mode  | WDR, BLC, HLC, Global, HLS  |
| Privacy Mask             | 4 programmable privacy masks  |
| Motion Detection         | 4 programmable motion areas   |
| Noise Reduction          | 3D DNR/2D DNR   |
| Language                 | English   |
| Function                 | Brightness, Contrast, Mirror, Sharpness, Anti-Banding, Smart Light  |
| Interface                |   |
| Video Output             | Switchable TVI/AHD/CVI/CVBS   |
| Audio In                 | Built-in mic, Line-in   |
| General                  |   |
| Operating Conditions     | -40°C to 60°C (-40°F to 140°F), Humidity: 90% or less (non-condensing)  |
| Power Supply             | 12 VDC ± 25%,<br><i>*You are recommended to use one power adapter to supply the power for one camera.</i>                                 |
| Consumption              | Max. 3.6 W  |
| Protection Level         | IP67  |
| Material                 | Metal   |
| White Light Range        | Up to 20 m  |
| Communication            | HIKVISION-C   |
| Dimension                | 161.1 mm × 70 mm × 70 mm (6.34" × 2.76" × 2.76")  |
| Weight                   | Approx. 403 g (0.89 lb.)  |

## ▪ Dimension



- Accessory
- Optional

## DS-1280ZJ-XS Junction box



## ▪ Available Model DS-2CE10DF8T-FSLN

Distributed by



## HIKVISION

### Headquarters

No.555 Qianmo Road, Binjiang District,  
Hangzhou 310051, China  
T +86-571-8807-5998  
overseasbusiness@hikvision.com

**Hikvision USA**  
T +1-909-895-0400  
sales.usa@hikvision.com

**Hikvision Australia**  
T +61-2-8599-4233  
salesau@hikvision.com

**Hikvision India**  
T +91-22-28469900  
sales@pramahikvision.com

**Hikvision Canada**  
T +1-866-200-6690  
sales.canada@hikvision.com

**Hikvision Thailand**  
T +662-275-9949  
sales.thailand@hikvision.com

**Hikvision Europe**  
T +31-23-5542770  
sales.eu@hikvision.com

**Hikvision Italy**  
T +39-0438-6902  
info.it@hikvision.com

**Hikvision Brazil**  
T +55 11 3318-0050  
Latam.support@hikvision.com

**Hikvision Turkey**  
T +90 (216)521 7070- 7074  
sales.tr@hikvision.com

**Hikvision Malaysia**  
T +601-7652-2413  
sales.my@hikvision.com

**Hikvision UK & Ireland**  
T +01628-902140  
sales.uk@hikvision.com

**Hikvision South Africa**  
Tel: +27 (10) 0351172  
sale.africa@hikvision.com

**Hikvision France**  
T +33(0)1-85-330-450  
info.fr@hikvision.com

**Hikvision Kazakhstan**  
T +7-727-9730667  
nikia.panfilov@hikvision.ru

**Hikvision Vietnam**  
T +84-974270888  
sales.vt@hikvision.com

**Hikvision UAE**  
T +971-4-4432090  
salesme@hikvision.com

**Hikvision Singapore**  
T +65-6684-4718  
sg@hikvision.com

**Hikvision Spain**  
T +34-91-737-16-55  
info.es@hikvision.com

**Hikvision Tashkent**  
T +99-87-1238-9438  
uzb@hikvision.ru

**Hikvision Hong Kong**  
T +852-2151-1761  
info.hk@hikvision.com

**Hikvision Russia**  
T +7-495-669-67-99  
saleru@hikvision.com

**Hikvision Korea**  
T +82-(0)31-731-8817  
sales.korea@hikvision.com

**Hikvision Poland**  
T +48-22-460-01-50  
info.pl@hikvision.com

**Hikvision Indonesia**  
T +62-21-2933759  
Sales.Indonesia@hikvision.com

**Hikvision Colombia**  
sales.colombia@hikvision.com