

DS-2CD6D54G1-IZ(S) EXIR Flexible PanoVu Network Camera



- 1/2.7" Progressive Scan CMOS
- 2560 x 1920 @ 25fps
- H.265, H.264, H.265+, H.264+
- Up to 30m IR range
- 4 Flexible lens
- 120dB WDR
- IP67, IK10

DORI

The DORI (detect, observe, recognize, identify) distance gives the general idea of the camera ability to distinguish persons or objects within its field of view. It is calculated based on the camera sensor specification and the criteria given by EN 62676-4: 2015.

| DORI | Detect | Observe | Recognize | Identify |
|-----------------|--------|---------|-----------|----------|
| Distance (Wide) | 60 m | 23 m | 12 m | 6 m |
| Distance (Tele) | 120 m | 47 m | 24 m | 12 m |



Specifications

| Camera | |
|-----------------------------|--|
| Image Sensor | 1/2.7" Progressive Scan CMOS |
| Min. Illumination | Color: 0.0125 Lux @ (F1.9, AGC ON); B/W: 0.0025 Lux @ (F1.9, AGC ON) |
| Shutter Speed | 1 s to 1/100,000 s |
| Slow Shutter | Yes |
| Day & Night | IR cut filter |
| WDR | 120 dB |
| Angle Adjustment | Pan: -60° to 60°, tilt: 10° to 90° |
| Lens | |
| Lens Type | Varifocal lens, 2.8 to 8 mm |
| Aperture | F1.9 |
| Focus | Manual, semi-auto |
| FOV | Horizontal FOV 100° to 49°, vertical FOV 72° to 36.4°, diagonal FOV 134.4° to 61.4° |
| Lens Mount | Φ14 |
| Illuminator | |
| IR Range | Up to 30 m |
| Wavelength | 850 nm |
| Video | |
| Max. Resolution | 2560 × 1920 |
| Video Stream | 3 defined streams |
| Main Stream | 50Hz: 25fps (2560 × 1920, 2048 × 1536, 1920 × 1080, 1280 × 720) 60Hz: 24fps (2560 × 1920, 2048 × 1536, 1920 × 1080, 1280 × 720) |
| Sub Stream | 50Hz: 25fps (704 × 576, 640 × 480) 60Hz: 24fps (704 × 480, 640 × 480) |
| Third Stream | 50Hz: 6fps (1920 × 1080, 1280 × 720, 704 × 576, 640 × 480) 60Hz: 8fps (1920 × 1080, 1280 × 720, 704 × 480, 640 × 480) |
| Video Compression | Main stream: H.265+/H.265/H.264+/H.264 Sub stream: H.265/H.264/MJPEG Third stream: H.265/H.264 |
| H.264 Type | Baseline Profile/Main Profile/High Profile |
| H.264+ | Main stream support |
| H.265 Type | Main Profile |
| H.265+ | Main stream support |
| Video Bit Rate | 32 Kbps to 16 Mbps |
| Scalable Video Coding (SVC) | H.264 encoding |

| Audio (-S) | |
|-----------------------------|--|
| Audio Compression | G.711/G.722.1/G.726/MP2L2/PCM |
| Audio Bit Rate | 64Kbps(G.711)/16Kbps(G.722.1)/16Kbps(G.726)/32-192Kbps(MP2L2)/32Kbps(PCM) |
| Environment Noise Filtering | Yes |
| Audio Sampling Rate | 8 kHz/16 kHz/32 kHz/44.1 kHz/48 kHz |
| Smart Feature-Set | |
| Smart Event | Line crossing detection, up to 4 lines configurable Intrusion detection, up to 4 regions configurable Region entrance detection, up to 4 regions configurable Region exiting detection, up to 4 regions configurable Unattended baggage detection, up to 4 regions configurable Object removal detection, up to 4 regions configurable Scene change detection, audio exception detection (-S), defocus detection |
| Basic Event | Motion detection, video tampering alarm, exception (network disconnected, IP address conflict, illegal login, HDD full, HDD error) |
| Linkage Method | Upload to FTP/NAS/memory card, notify surveillance center, send email, trigger alarm output, trigger recording, trigger capture |
| Region of Interest | 4 fixed regions and dynamic face tracking for each stream |
| Image | |
| Image Enhancement | BLC, HLC, 3D DNR, Defog, EIS |
| Image Setting | Rotate mode, saturation, brightness, contrast, sharpness, AGC, and white balance are adjustable by client software or web browser |
| Target Cropping | Yes |
| Day/Night Switch | Day/Night/Auto/Schedule/Triggered by Alarm In (-S) |
| Picture Overlay | LOGO picture can be overlaid on video with 128 × 128 24 bit bmp format |
| SNR | ≥52dB |
| Network | |
| Network Storage | microSD/SDHC/SDXC card (128 GB), local storage and NAS (NFS,SMB/CIFS), ANR |
| Protocols | TCP/IP, ICMP, HTTP, HTTPS, FTP, DHCP, DNS, DDNS, RTP, RTSP, RTCP, PPPoE, NTP, UPnP, SMTP, SNMP, IGMP, 802.1X, QoS, IPv6, UDP, Bonjour |
| API | ONVIF (PROFILE S, PROFILE G, PROFILE T), ISAPI, SDK, Ehome |
| Security | Password protection, complicated password, HTTPS encryption, 802.1X authentication (EAP-MD5), watermark, IP address filter, basic and digest authentication for HTTP/HTTPS, WSSE and digest authentication for ONVIF |
| Simultaneous Live View | Up to 20 channels |
| User/Host | Up to 32 users. 3 user levels: administrator, operator and user |
| Client | iVMS-4200, Hik-Connect, Hik-Central |
| Web Browser | IE8+, Chrome41.0-44, Firefox30.0-51, Safari8.0-11 |

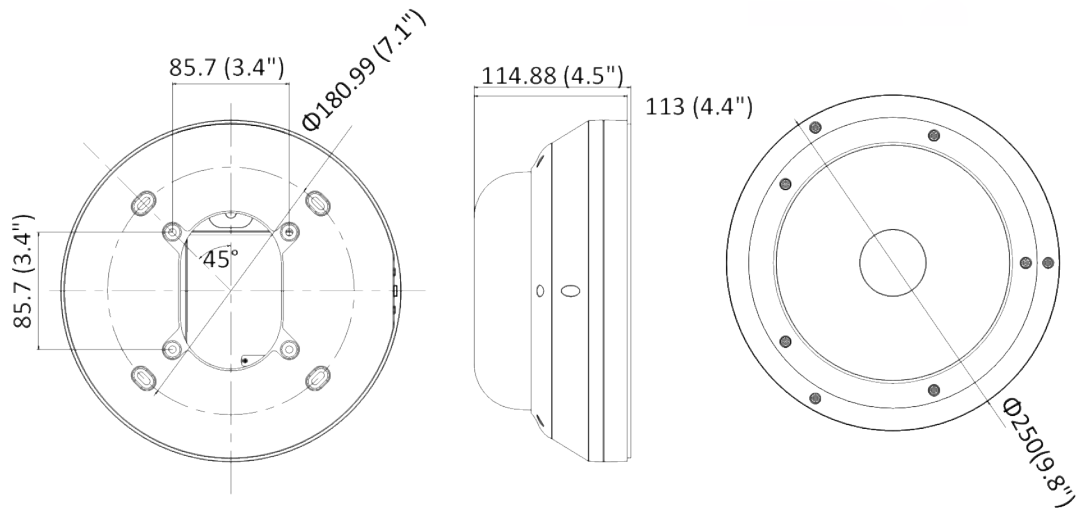
| Interface | |
|----------------------------------|--|
| Audio (-S) | 1 input (line in), 1 output (line out), mono sound |
| Communication Interface | 1 RJ45 10M/100M/1000M Ethernet port; built-in RS232 -S model: 1 RS-485 interface (half duplex, HIKVISION, Pelco-P, Pelco-D, self-adaptive) |
| Alarm (-S) | 2 inputs, 2 outputs (max. 24 VDC, 1A) |
| On-board Storage | Built-in microSD/SDHC/SDXC slot, up to 128 GB |
| General | |
| Firmware Version | V5.5.32 |
| Web Client Language | 32 languages English, Russian, Estonian, Bulgarian, Hungarian, Greek, German, Italian, Czech, Slovak, French, Polish, Dutch, Portuguese, Spanish, Romanian, Danish, Swedish, Norwegian, Finnish, Croatian, Slovenian, Serbian, Turkish, Korean, Traditional Chinese, Thai, Vietnamese, Japanese, Latvian, Lithuanian, Portuguese (Brazil) |
| General Function | Anti-flicker, 3 streams, heartbeat, mirror, privacy masks |
| Reset | Reset via reset button on camera body, web browser and client software |
| Startup and Operating Conditions | -30 °C to 60 °C (-22 °F to 140 °F), humidity 95% or less (non-condensing) |
| Storage Conditions | -30 °C to 60 °C (-22 °F to 140 °F), humidity 95% or less (non-condensing) |
| Power Supply | 12 VDC± 20%, reverse polarity protection; three-core terminal block 24 VAC ± 20%; PoE (802.3at, class 4) |
| Power Consumption and Current | 12 VDC, 1.8 A, 22 W 24 VAC, 1.4 A, 22 W PoE (802.3at, 42.5 to 57 VDC), 0.43 to 0.32 A, 19 W, class 4 |
| Material | Bubble & IR cover: plastic, camera: metal |
| Dimensions | Camera: Φ250 × 113 mm (9.8" × 4.4") Package: 336 × 261 × 293 mm (13.2" × 10.3" × 11.5") |
| Weight | Camera: 2.125 kg (4.7 lb); with package: 3.899 kg (8.6 lb) |
| Approval | |
| EMC | 47 CFR Part 15, Subpart B; EN 55032: 2015, EN 61000-3-2: 2014, EN 61000-3-3: 2013, EN 50130-4: 2011 +A1: 2014; AS/NZS CISPR 32: 2015; ICES-003: Issue 6, 2016; KN 32: 2015, KN 35: 2015 |
| Safety | UL 60950-1, IEC 60950-1:2005 + Am 1:2009 + Am 2:2013, EN 60950-1:2005 + Am 1:2009 + Am 2:2013, IS 13252(Part 1):2010+A1:2013+A2:2015 |
| Chemistry | 2011/65/EU, 2012/19/EU, Regulation (EC) No 1907/2006 |
| Protection | Ingress protection: IK10 (IEC 62262:2002), IP67 (IEC 60529-2013) |

* Listed resolutions are only selectable options. It does not mean that all streams can work at their maximum resolution at the same time.

Available Model

DS-2CD6D54G1-IZ(2.8 to 8 mm), DS-2CD6D54G1-IZS(2.8 to 8 mm)

Dimension

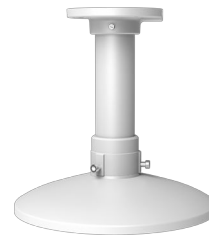


Unit: mm(inch)

Accessory



DS-1618ZJ-6D
Wall Mount



DS-1661ZJ-6D
Pendant Mount

Distributed by



HIKVISION

Headquarters

No.555 Qianmo Road, Binjiang District,
Hangzhou 310051, China
T +86-571-8807-5998
overseasbusiness@hikvision.com

Hikvision USA
T +1-909-895-0400
sales.usa@hikvision.com

Hikvision Australia
T +61-2-8599-4233
salesau@hikvision.com

Hikvision India
T +91-22-28469900
sales@pramahikvision.com

Hikvision Canada
T +1-866-200-6690
sales.canada@hikvision.com

Hikvision Thailand
T +662-275-9949
sales.thailand@hikvision.com

Hikvision Europe
T +31-23-5542770
sales.eu@hikvision.com

Hikvision Italy
T +39-0438-6902
info.it@hikvision.com

Hikvision Brazil
T +55 11 3318-0050
Latam.support@hikvision.com

Hikvision Turkey
T +90 (216)521 7070- 7074
sales.tr@hikvision.com

Hikvision Malaysia
T +601-7652-2413
sales.my@hikvision.com

Hikvision UK & Ireland
T +01628-902140
sales.uk@hikvision.com

Hikvision South Africa
Tel: +27 (10) 0351172
sale.africa@hikvision.com

Hikvision France
T +33(0)1-85-330-450
info.fr@hikvision.com

Hikvision Kazakhstan
T +7-727-9730667
nikla.panfilov@hikvision.ru

Hikvision Vietnam
T +84-974270888
sales.vt@hikvision.com

Hikvision UAE
T +971-4-4432090
salesme@hikvision.com

Hikvision Singapore
T +65-6684-4718
sg@hikvision.com

Hikvision Spain
T +34-91-737-16-55
info.es@hikvision.com

Hikvision Tashkent
T +99-87-1238-9438
uzb@hikvision.ru

Hikvision Hong Kong
T +852-2151-1761
info.hk@hikvision.com

Hikvision Russia
T +7-495-669-67-99
sateru@hikvision.com

Hikvision Korea
T +82-(0)31-731-8817
sales.korea@hikvision.com

Hikvision Poland
T +48-22-460-01-50
info.pl@hikvision.com

Hikvision Indonesia
T +62-21-2933759
Sales.Indonesia@hikvision.com

Hikvision Colombia
sates.colombia@hikvision.com