

## DS-2XS6F45G0-ICx(/4G) 4 MP Wildlife Network Camera



It can be installed in the wild environment for concealed monitoring and capture, and can detect the living habits and wild animals to provide guidance for animal protection research.

- High-sensitivity PIR detector, accurate detection of wild animals, high-definition image acquisition, detection range can cover horizontal 102 °
- Ultra-low power consumption: Support sleep mode and full power consumption mode, in sleep mode, the standby time can be up to 180 days (10 snapshots a day)
- Ultra-low illumination, providing star-level monitoring effect, providing clearer video and snapshot effects
- The highest resolution can reach 2560 × 1440 @25 fps, and real-time image can be output
- Support BLC, HLC, DWDR, adapt to different monitoring environments
- 15 m IR Range
- Support 256 GB Micro SD/Micro SDHC/Micro SDXC
- Support LTE-TDD/LTE-FDD/TD-SCDMA/UMTS/EVDO/CDMA 1x
- Build-in GPS
- Build-in microphone

## ▪ Specification

Camera	
Image Sensor	1/3" Progressive Scan CMOS
Min. Illumination	Color: 0.005 Lux @ (F1.2, AGC ON), B/W: 0.001 Lux @ (F1.2, AGC ON), 0 Lux with IR
Shutter Speed	1/3 s to 1/100,000 s
Wide Dynamic Range	Digital WDR
Day & Night	IR cut filter
Lens	
Lens Type & FOV	2.8 mm, horizontal FOV 102°, vertical FOV 55°, diagonal FOV 122°
Aperture	F1.4
Lens Mount	M12
Illuminator	
IR Range	Up to 15 m
Wavelength	940 nm
Smart Supplement Light	Yes
Video	
Max. Resolution	2688 × 1520
Main Stream	50 Hz: 25 fps (2688 × 1520, 1920 × 1080, 1280 × 720) 60 Hz: 30 fps (2688 × 1520, 1920 × 1080, 1280 × 720)
Sub Stream	50 Hz: 25 fps (640 × 480, 640 × 360) 60 Hz: 30 fps (640 × 480, 640 × 360)
Video Compression	Main stream: H.265 Sub-stream: H.265/H.264/MJPEG
Video Bit Rate	32 Kbps to 16 Mbps
H.264 Type	Main Profile/High Profile
H.265 Type	Main Profile
Bit Rate Control	CVR/BVR
Scalable Video Coding (SVC)	H.264 and H.265 encoding
Region of Interest (ROI)	4 fixed area for main stream and sub-stream
Audio	
Environment Noise Filtering	Yes
Audio Sampling Rate	8 KHz/16 KHz/32 KHz/44.1 KHz/48 KHz
Audio Compression	G.711/G.722.1/G.726/MP2L2/PCM/MP3
Audio Bit Rate	64 Kbps (G.711)/16 Kbps (G.722.1)/16 Kbps (G.726)/32~192 Kbps(MP2L2)
Audio Type	Mono
Network	
Simultaneous Live View	Up to 20 channels
API	Open Network Video Interface (PROFILE S, PROFILE G), ISAPI, SDK, Ehome
Protocols	TCP/IP, ICMP, HTTP, HTTPS, FTP, DHCP, DNS, DDNS, RTP, RTSP, RTCP, NTP, UPnP, SMTP, SNMP, IGMP, 802.1X, QoS, IPv6, Bonjour, UDP
User/Host	Up to 32 users. 3 user levels: administrator, operator and user

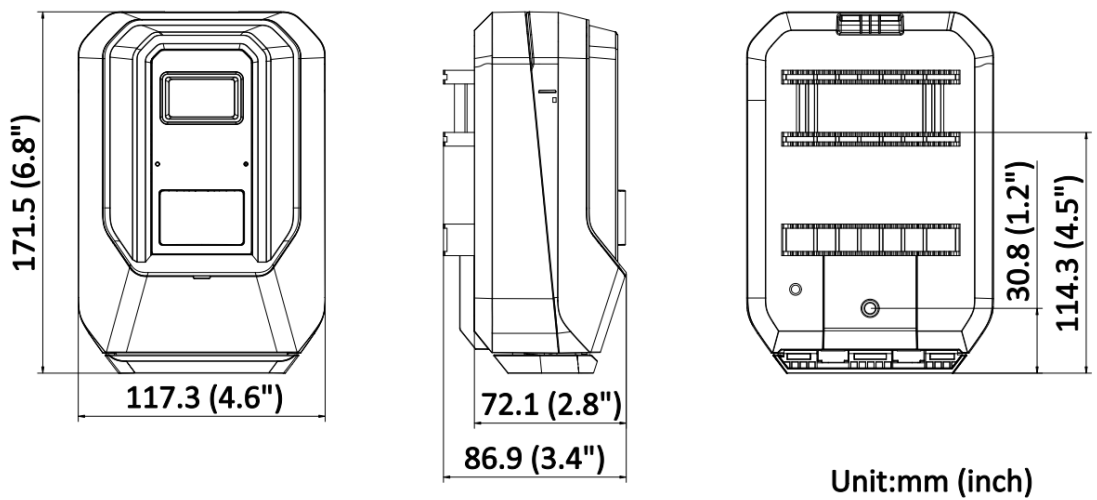
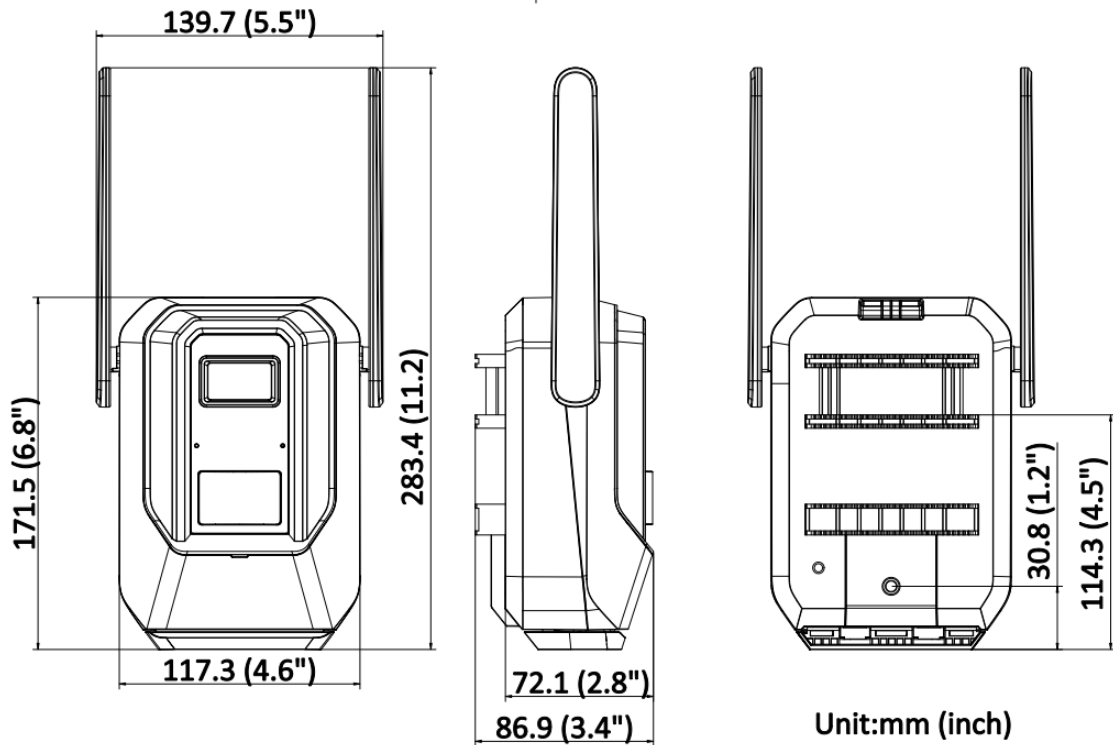
Network Storage	NAS (NFS, SMB/CIFS), auto network replenishment (ANR) Together with high-end Hikvision memory card, memory card encryption and health detection are supported.
Client	iVMS-4200, Hik-Connect
Web Browser	Plug-in required: IE 8+, Chrome 41.0 to 44, Firefox 30.0 to 51, Safari 8.0 to 11 Plug-in free: Chrome 45.0+, Firefox 52.0+
<b>Mobile Communication</b>	
4G Frequency	LTE-TDD Band 38/39/40/41 LTE-FDD Band 1/3/5 TD-SCDMA Band 34/39 UMTS 1/8 EVDO BC0 CDMA 1x BC0
4G Standard	LTE-TDD/LTE-FDD/TD-SCDMA/UMTS/EVDO/CDMA 1x
<b>Image</b>	
Day/Night Switch	Day, Auto
Picture Overlay	LOGO picture can be overlaid on video with 128 × 128 24bit bmp format
Image Enhancement	BLC, HLC, Defog, 3D DNR
Image Parameters Switch	Yes
Image Settings	Saturation, brightness, contrast, sharpness, AGC, white balance adjustable by client software or web browser
SNR	≥ 52 dB
Privacy Mask	Yes
<b>PIR</b>	
PIR Range	15 m
PIR Angle	Horizontal: 90°
<b>Satellite Positioning</b>	
GPS Detection	Support GPS and searching longitude and latitude of the device
<b>Interface</b>	
Audio	1 built-in microphone
RS-232	1 four-core 1.5 mm serial port
On-board Storage	Built-in memory card slot, support microSD/microSDHC/microSDXC/TF card, up to 256 GB
Hardware Reset	Yes
Ethernet Interface	1 six-core 1.25 mm interface (it can be transferred as 1 12 VDC coaxial interface and 1 RJ 45 10 m/100 m self-adaptive Ethernet port)
<b>Event</b>	
Smart Event	Intrusion detection, line crossing detection, region entrance detection, region exiting detection
Linkage	Upload to FTP/NAS/memory card, notify surveillance center, send email, trigger recording, trigger capture, sending message
<b>General</b>	
Online Upgrade	Yes
Dual Backup	Yes
Firmware Version	V5.5.110

General Function	One-key reset, anti-banding, heartbeat, password protection, privacy mask, watermark, IP address filter
Software Reset	Yes
Material	Plastic
Screw Material	SUS304
Camera Dimension	With -4G model: With antennas folded: 171.5 × 139.7 × 86.9 mm With antennas extending: 283.4 × 139.7 × 86.9 mm Without -4G: 171.5 × 117.3 × 86.9 mm
Package Dimension	260 × 217 × 241 mm
Camera Weight	Approx. 0.61 kg
With Package Weight	C0: approx. 1.34 kg C1: approx. 2.47 kg C2: approx. 2.82 kg
Storage Conditions	-20 °C to 60 °C (-22 °F to 140 °F).Humidity 95% or less (non-condensing)
Startup and Operating Conditions	C1/C2: -20 °C to 60 °C (-22 °F to 140 °F).Humidity 95% or less (non-condensing) C0: -10 °C to 60 °C (-22 °F to 140 °F).Humidity 95% or less (non-condensing)
Power Supply	C1/C2: USB Type-C (5V, 2A) C0: dry cell (10, 5AA dry cell, 1.5 V)
Power Consumption and Current	6 to 15 VDC, 0.82 to 0.33 A, max. 4.9 W
Power Interface	C1/C2: pin C0: shrapnel (5AA dry cell)
<b>Battery</b>	
Battery Type	C1/C2: chargeable lithium battery C0: 5AA dry cell
Capacity	C1/C2: 9.4 Ah
Operating Temperature	C1/C2: -20°C~60°C C0: -10°C~60°C
Battery Voltage	C1/C2: Rated voltage: 7.2 VDC Charging voltage: 8.4 VDC Discharging cut-off voltage: 5.6 VDC C0: Rated voltage: 15 VDC Discharging cut-off voltage: 8 VDC
Cycle Lifetime	Cycle lifetime is calculated under the condition that the camera captures 10 times per day (9 times during the day and 1 time at night). With -4G model: C1/C: 80 days C0: 22 days Without -4G model: C1/C2: 124 days C0: 34 days

▪ **Available Model**

- DS-2XS6F45G0-IC0/4G (2.8 mm)
- DS-2XS6F45G0-IC1/4G (2.8 mm)
- DS-2XS6F45G0-IC2/4G (2.8mm)
- DS-2XS6F45G0-IC0 (2.8 mm)
- DS-2XS6F45G0-IC1 (2.8 mm)

▪ **Dimension**



**Headquarters**

No.555 Qianmo Road, Binjiang District,  
Hangzhou 310051, China  
T +86-571-8807-5998  
www.hikvision.com



Follow us on social media to get the latest product and solution information.

