

## DS-2CD63C5G0E(/RC)(-S/RC) 12 MP Network Fisheye Camera



DS-2CD63C5G0E(/RC)(-S/RC) is a fisheye network camera capable of providing a 360-degree panoramic image of its surveillance scene.

The progressive scan CMOS sensor provides high-resolution images of up to 4000 × 3000.

- 1/1.7" Progressive Scan CMOS
- Max. 4000 × 3000 @20fps
- Up to 14 live view display modes
- Digital WDR
- Built-in microphone
- Smart features
  - 6 behavior analyses, and 1 exception detection
- In-ceiling Mounting



## Specifications

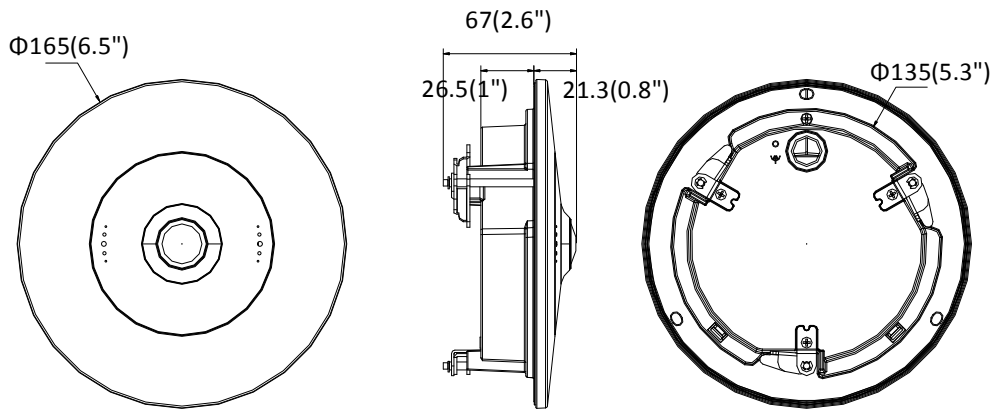
<b>Camera</b>	
Image Sensor	1/1.7" Progressive Scan CMOS
Min. Illumination	Color: 0.06 Lux @ (F2.4, AGC ON), B/W: 0.012 Lux @ (F2.4, AGC ON)
Shutter Speed	1 s to 1/100,000 s
Slow Shutter	Yes
Digital Noise Reduction	3D DNR
WDR	Digital WDR
<b>Lens</b>	
Focal Length	2 mm
Aperture	F 2.4
FOV	360°(In-ceiling mounting)
Lens Mount	M12
<b>Compression Standard</b>	
Video Compression	Main stream: H.265+/H.265/H.264+/H.264 Sub stream: H.265/H.264/MJPEG
H.264 Type	Baseline Profile/Main Profile/High Profile
H.264+	Main stream supports
H.265 Type	Main Profile
H.265+	Main stream supports
Video Bit Rate	32 Kbps to 16 Mbps
SVC	H.265 and H.264 support
<b>Smart Feature-set</b>	
Behavior Analysis	Line crossing detection, intrusion detection, region entrance detection, region exiting detection, unattended baggage detection, object removal detection
Exception Detection	Audio exception detection
Region of Interest	4 fixed regions for main stream and sub-stream
<b>Image</b>	
Max. Resolution	4000 × 3000
Main Stream Max. Frame Rate	50Hz: 20fps (4000 × 3000), 25fps (3000 × 3000, 2560 × 2560) 60Hz: 20fps (4000 × 3000), 30fps (3000 × 3000, 2560 × 2560)
Sub Stream Max. Frame Rate	50Hz: 20fps (720 × 720, 640 × 480) 60Hz: 20fps (720 × 720, 640 × 480)
Image Enhancement	BLC, HLC, defog, 3D DNR
Image Setting	Saturation, brightness, contrast, sharpness, AGC and white balance are adjustable by client software or web browser
Day/Night Switch	Day/Night/Auto/Schedule/Triggered by Alarm In (-S)
Picture Overlay	LOGO picture can be overlaid on video with 128 × 128 24bit bmp format
<b>Live View Display</b>	
Mount Type	Support in-ceiling mounting
Decoding Mode	Support hardware decoding and software decoding
Display Mode	14 display modes in total Software decoding:

	Fisheye view, 180 panorama view, 360 panorama view, 360 panorama + PTZ, 360 panorama + 3PTZ, 360 panorama + 6PTZ, 360 panorama + 8PTZ, 2PTZ, 4PTZ, fisheye + 3PTZ, fisheye +8 PTZ, half sphere, cylinder Hardware decoding: Fisheye view, 180 panorama view, panorama view, 4PTZ, 4PTZ fusion, fisheye + 3PTZ,
<b>Audio (-S)</b>	
Environment Noise Filtering	Yes
Audio Sampling Rate	8 kHz/16 kHz
Audio Compression	G.711/G.722.1/G.726/MP2L2/PCM
Audio Bit Rate	64Kbps(G.711)/16Kbps(G.722.1)/16Kbps(G.726)/32-160Kbps(MP2L2)
<b>Network</b>	
Network Storage	Support microSD/SDHC/SDXC card (256 G), local storage and NAS (NFS,SMB/CIFS), ANR
Alarm Trigger	Motion detection, video tampering alarm, network disconnected, IP address conflicted, illegal login, HDD full, HDD error
Protocols	TCP/IP, ICMP, HTTP, HTTPS, FTP, DHCP, DNS, DDNS, RTP, RTSP, RTCP, PPPoE, NTP, UPnP, SMTP, SNMP, IGMP, 802.1X, QoS, IPv6, UDP, Bonjour
Security Measure	Password protection, HTTPS encryption, IEEE 802.1x port-based network access control, IP address filter, basic and digest authentication for HTTP/HTTPS, WSSE and digest authentication for ONVIF
General Function	One-key reset, anti-flicker, heartbeat, mirror, password protection, privacy mask, watermark, IP address filter
Firmware Version	5.5.73
API	ONVIF (PROFILE S, PROFILE G), ISAPI
Simultaneous Live View	Up to 20 channels
User/Host	Up to 32 users. 3 user levels, administrator, operator and user
Client	iVMS-4200, iVMS-4500, Hik-Connect, iVMS-5200
Web Browser	IE8+, Chrome31.0-44, Firefox 30.0-51, Safari8.0+
<b>Interface</b>	
Communication Interface	1 RJ45 10M/100M/1000M self-adaptive Ethernet port
Audio (-S)	1 Audio input (line in, 3.5 mm), 1 audio output (line out, 3.5 mm); 2 built-in microphones, mono sound
Alarm (-S)	1-ch alarm input, max. 12 V; 1-ch alarm output, max 12 VDC, 0.5 A
On-board storage	Built-in micro SD/SDHC/SDXC slot, up to 256 GB
Reset Button	Yes
<b>General</b>	
Operating Conditions	-10 °C to +40 °C (14 °F to +104 °F), Humidity 95% or less (non-condensing)
Power Supply	12 VDC ± 20%, PoE (802.3af, class 3), two-core terminal block
Power Consumption	12 VDC, 0.5 A, max. 6 W PoE (802.3af, 36 to 57 V), 0.3 A to 0.2 A, max. 12 W
Material	Cover & trim ring: plastic, bottom base: metal
Dimensions	Φ165 × 67 mm (6.5" × 2.6")
Weight	Approx. 480 g (1.1 lbs)

## Available Model

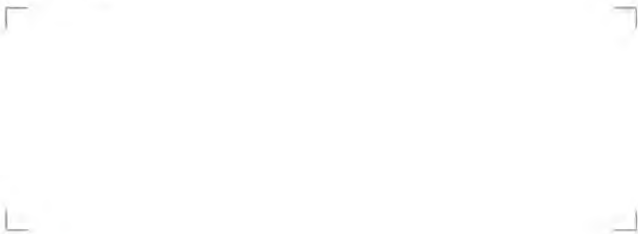
DS-2CD63C5G0E/RC (2 mm), DS-2CD63C5G0E-S/RC (2 mm)

**Dimensions**



Unit: mm(inch)

Distributed by



**HIKVISION**

**Headquarters**

No.555 Qianmo Road, Binjiang District,  
Hangzhou 310051, China  
T +86-571-8807-5998  
overseasbusiness@hikvision.com

**Hikvision USA**  
T +1-909-895-0400  
sales.usa@hikvision.com

**Hikvision Australia**  
T +61-2-8599-4233  
salesau@hikvision.com

**Hikvision India**  
T +91-22-28469900  
sales@pramahikvision.com

**Hikvision Canada**  
T +1-866-200-6890  
sales.canada@hikvision.com

**Hikvision Thailand**  
T +662-275-9949  
sales.thailand@hikvision.com

**Hikvision Europe**  
T +31-23-5542770  
sales.eu@hikvision.com

**Hikvision Italy**  
T +39-0438-6902  
Info.it@hikvision.com

**Hikvision Brazil**  
T +55 11 3318-0050  
Latam.support@hikvision.com

**Hikvision Turkey**  
T +90 (216)521 7070- 7074  
sales.tr@hikvision.com

**Hikvision Malaysia**  
T +601-7652-2413  
sales.my@hikvision.com

**Hikvision UK & Ireland**  
T +01628-902140  
sales.uk@hikvision.com

**Hikvision South Africa**  
Tel: +27 (10) 0351172  
sale.africa@hikvision.com

**Hikvision France**  
T +33(0)1-85-330-450  
info.fr@hikvision.com

**Hikvision Kazakhstan**  
T +7-727-9730667  
nikia.panfilov@hikvision.ru

**Hikvision Vietnam**  
T +84-974270888  
sales.vt@hikvision.com

**Hikvision UAE**  
T +971-4-4432090  
salesme@hikvision.com

**Hikvision Singapore**  
T +65-6684-4718  
sg@hikvision.com

**Hikvision Spain**  
T +34-91-737-16-55  
info.es@hikvision.com

**Hikvision Tashkent**  
T +99-87-1238-9438  
uzb@hikvision.ru

**Hikvision Hong Kong**  
T +852-2151-1761  
Info.hk@hikvision.com

**Hikvision Russia**  
T +7-495-669-67-99  
saleru@hikvision.com

**Hikvision Korea**  
T +82-(0)31-731-8817  
sales.korea@hikvision.com

**Hikvision Poland**  
T +48-22-460-01-50  
info.pl@hikvision.com

**Hikvision Indonesia**  
T +62-21-2933759  
Sales.Indonesia@hikvision.com

**Hikvision Colombia**  
sales.colombia@hikvision.com