

HOV

SIDE OPENING ALUMINIUM HOUSING

MAIN FEATURES

Made of aluminium and sunshield of ABS material

IP66/IP67 (with cable glands or optional sealing rings)

Pre-arranged for internal cable management bracket

Version with a very efficient cooling system for installation with IP cameras and for high environmental temperature

Version with integrated wiper

Available accessories: heater, camera power supply, fan assisted heater, alarm tamper switch, washer pump

DESCRIPTION

Robust aluminium housing designed to simplify the installation and service and guarantee total protection against all environmental conditions.

Its size makes it ideal for housing various combinations of standard cameras with fixed or compact zoom lenses.

Very easy to install thanks to the side opening system that allows the full access to the camera, lenses and all internal connections.

The numerous available accessories, like heater, camera power supply, blower and air filter, wiper and washer can satisfy any installation requirement.



HOV + WBOVA2



HOV + CAMERA



HOV + COOLING DEVICE



HOV + OSUPPIR + GEKO IRH + WBJA

TECHNICAL DATA**GENERAL**

Constructed from aluminium
 Sunshield in ABS
 Epoxypolyester powder painting, RAL9002 colour
 Stainless steel external screws

MECHANICAL

Cable glands: 3xM16
 Glass window (WxH): 118x75mm (4.6x2.7in)
 Internal usable area (WxH): 100x70mm (3.9x2.7in)
 Internal usable length (with or without accessories): 250mm (9.8in)
 Unit weight: 3kg (6.6lb)

ELECTRICAL

Power supply/Current consumption (empty version):

- From 12Vdc to 24Vdc, 1A max
- From 12Vac to 24Vac, 1A max, 50/60Hz
- From 120Vac to 230Vac, 400mA max, 50/60Hz

Power supply/Current consumption (Version with heater, Ton 15°C±3°C (59°F ±5°F), Toff 22°C±3°C (77°F±5°F)):

- From 12Vdc to 24Vdc, 3A max
- From 12Vac to 24Vac, 3A max, 50/60Hz
- From 120Vac to 230Vac, 400mA max, 50/60Hz

Power supply/Current consumption (version with double heater, Ton 15°C±3°C (59°F ±5°F), Toff 22°C±3°C (77°F±5°F)):

- From 12Vdc to 24Vdc, 6A max
- From 12Vac to 24Vac, 6A max, 50/60Hz

Power supply/Current consumption (version with heater fan assistant, continuous duty):

- 12Vdc, 400mA max
- 24Vac, 200mA max, 50/60Hz
- From 100Vac to 240Vac, 40mA max, 50/60Hz (**non tradotto**)

Power supply/Current consumption (version with blower and thermostat for models with double filter for air renewal, Ton 35°C±3°C (95°F±5°F), Toff 20°C±3°C (71°F±5°F)):

- 12Vdc, 400mA max
- 24Vac, 200mA max, 50/60Hz

Power supply/Current consumption (version with integrated wiper):

- 24Vac, 1.85A max, 50/60Hz
- 230Vac, 40mA max, 50/60Hz

Camera power supply:

- V_{IN} from 100Vac to 240Vac, 50/60Hz
 V_{OUT} 12Vdc, 1A
- V_{IN} 230Vac, 50/60Hz
 V_{OUT} 24Vac, 400mA, 50/60Hz

ENVIRONMENT

Indoor/Outdoor
 Operating temperature (with heater): From -20°C (-4°F) to +60°C (140°F)
 Resistant to salty fog, to 1000 hours (ISO9227)

CERTIFICATIONS

CE: EN61000-6-3, EN50130-4, EN60950-1, EN60950-22
 EN60529 IP66/IP67 (with cable glands)
 EN60529 IP66/IP67 (with special gaskets and bracket with internal cable channel)
 EN60529 IP55 (with bracket with internal cable channel)
 EN60529 IP44 (with double filter for air renewal)
 cULus Listed, Type 4X (except for versions with double filter for the air exchange, HOV32K1A018, HOV32K2A016, HOV32K2A017, HOV32K2A147, and the version with wiper 230Vac, HOV32K1A100)

ACCESSORIES

OHOVPOEIPM	Maintenance/retrofit kit for HOV and HOV HI-POE IPM housings
OHEH26	Heater 120Vac/230Vac for HOV, HTV, VERSO, VERSO COMPACT housings
OHEH27	Heating 12Vdc/24Vac for HOV, HTV, HTC, VERSO and VERSO COMPACT housings
OHOVV1	Heater fan assistant, continuous duty, IN 12Vdc, for HOV housing
OHOVV2	Heater fan assistant, continuous duty, IN 24Vac, for HOV housing
OHOVV3	Heater fan assistant, continuous duty, IN 100-240Vac, for HOV housing
OHOVPS1B	Wide range camera power supply IN 100-240Vac - OUT 12Vdc, 15W, for HOV and HTV housing
OHOVPS2B	Camera power supply IN 230Vac - OUT 24Vac, 10VA, for HOV and HTV housings
OHOVTA1	Tamper switch on board with tamper proof screws and key for HOV housing
OWBIP2	Sealing rings kit (3xM16) IP66/IP67 for WBOVA2 and WCM4A2 brackets for PUNTO, HOV, HTV, HTC, VERSO, VERSO POLAR, VERSO COMPACT, HEB, HEK housings
OHEGBB	Weatherproof junction box
WASOV5L5M00	Water tank 5l, pump with delivery up to 5m (16ft), IN 230Vac-24Vac-120Vac
WASOV23L5M00	Water tank 23l, pump with delivery up to 5m (16ft), IN 230Vac-24Vac-120Vac
WASOV23L11M00	Water tank 23l, pump with delivery up to 11m (36ft), IN 230Vac-24Vac-120Vac
WAS1V23L30M00	Water tank 23l, pump with delivery up to 30m (98ft) with water floating, IN 230Vac
WAS3V23L30M00	Water tank 23l, pump with delivery up to 30m (98ft) with water floating, IN 120Vac
WASPTOV5L5M00	Water tank 5l, pump with delivery up to 5m (16ft), IN 230Vac-24Vac-120Vac
WASPTOV23L5M00	Water tank 23l, pump with delivery up to 5m (16ft), IN 230Vac-24Vac-120Vac
WASPTOV23L11M00	Water tank 23l, pump with delivery up to 11m (36ft), IN 230Vac-24Vac-120Vac
WASPT1V23L30M00	Water tank 23l, pump with delivery up to 30m (98ft) with water floating, IN 230Vac
WASPT3V23L30M00	Water tank 23l, pump with delivery up to 30m (98ft) with water floating, IN 120Vac
DTWRX	Data receiver for remote control of the wiper and WASPT range pumps
OSUPPIR	Bracket for mounting 1 GEKO IRH illuminator under the housing

RELATED PRODUCTS

PTH300	Horizontal/vertical Pan & Tilt
PTH900	Horizontal/vertical Pan & Tilt

BRACKETS AND ADAPTORS

WBJA	Ceiling bracket with ball joint
WBOVA2	Wall bracket with internal cable channel
WBOV3A2	Wall bracket with internal cable channel, counterplate and support box, not compatible with OHEBVF1, OHEBVF2 and OHEBVF3
WCM3A	Ceiling bracket with ball joint
WCM5A	Ceiling bracket with ball joint
WCM4A2	Ceiling bracket with internal cable channel
WFWCA	Column bracket with joint

SPARE PARTS

OHOVS32A000	Sunshield
OHOV32SUP	Complete upper body

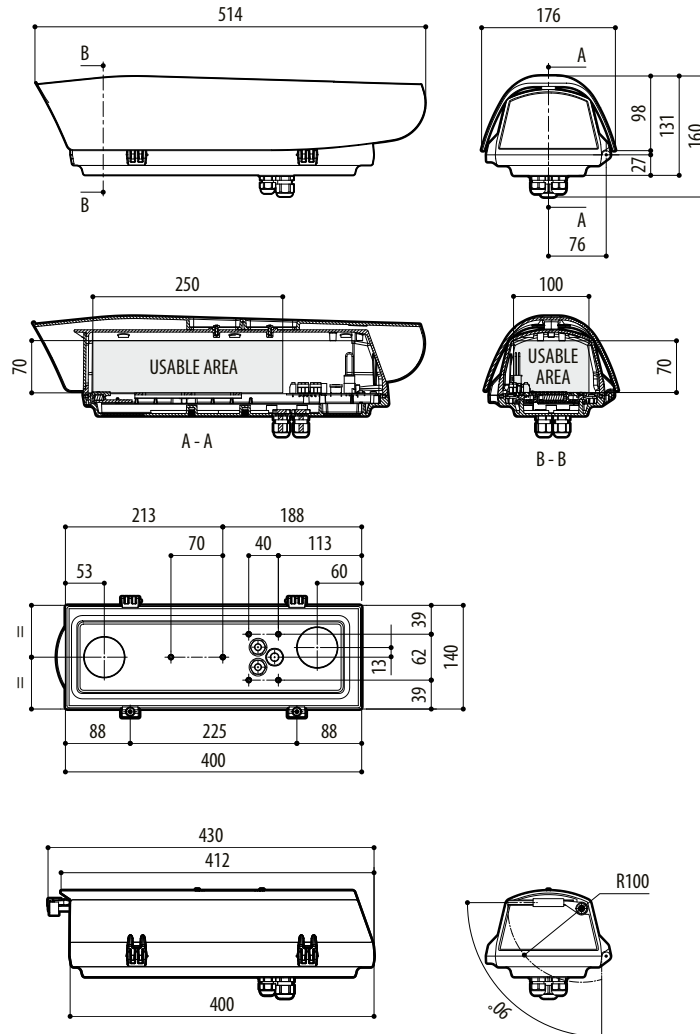
PACKAGE

Model Number	Weight	Dimensions (WxHxL)	Master carton
HOV32K1A000	3.4kg (7.5lb)	19.5x14.5x53cm	4

AVAILABLE MODELS										
Model Number	Sunshield	Heater 120Vac/230Vac	Heater 12Vdc/24Vac	12Vdc fan with double air exchange filter	24Vac fan with double air exchange filter	PS 100/240Vac IN, OUT 12Vdc, 1A for fan, with double air exchange filter	Wall bracket WBOVA2	Wiper kit 24Vac	Wiper kit 230Vac	Max consumption
HOV32D0A000 ¹	–	–	–	–	–	–	–	–	–	–
HOV32K0A000 ¹	✓	–	–	–	–	–	–	–	–	–
HOV32K1A000 ¹	✓	✓	–	–	–	–	–	–	–	40W
HOV32K1A018	✓	✓	–	–	–	✓	–	–	–	44W
HOV32K1A100	✓	✓	–	–	–	–	–	–	✓	47W
HOV32K2A000 ¹	✓	–	✓	–	–	–	–	–	–	20W
HOV32K2A016	✓	–	✓ ²	–	✓	–	–	–	–	24W
HOV32K2A017	✓	–	✓ ²	✓	–	–	–	–	–	24W
HOV32K2A147	✓	–	✓ ²	–	✓	–	–	✓	–	31W
HOV32K2A200 ¹	✓	–	✓ ²	–	–	–	–	✓	–	27W

1 cULus Listed

2 The housing must be powered the same as the fan and/or windscreen wiper



HOV

