

## DS-1697ZJ-X-AC(OS)

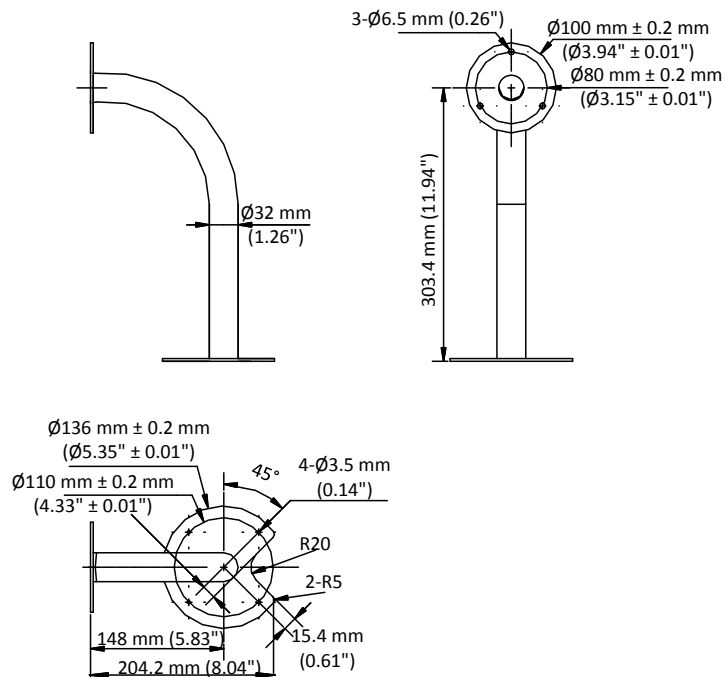
Wall Mount



### Feature

- Stainless steel with anti-corrosion surface spray treatment
- Cable hole design facilitates the installation
- Applies to both indoor conditions and outdoor conditions

### Dimension



### Available Model

DS-1697ZJ-X-AC(OS)

### Parameter

Model	DS-1697ZJ-X-AC(OS)
Parameters	Wall Mount
Appearance	Silver moon grey
Material	SUS316L Stainless Steel
Dimension	136 mm × 204.2 mm × 353 mm (5.35" × 8.04" × 13.90")
Weight	1.2 kg (2.65 lb.)

### Note

- The mount should be installed on the flat surface.
- The wall must be capable of supporting at least 3 times as much as the total weight of the camera, and the mount.
- The mount's maximum load capacity is 10 kg (22.05 lb.).