

DS-2XM6542G1-I(D)(M)(/ND) 4 MP Mobile Network Camera



- High quality imaging with 4 MP resolution
- Clear imaging against strong back light due to 120 dB true WDR technology
- Efficient H.265+ compression technology
- Water and dust resistant (IP68&IP69K) and vandal proof (IK10)
- Advanced streaming technology that enables smooth live view and data self-correcting in poor network
- 3D DNR technology delivers clean and sharp images



▪ Specification

Camera	
Image Sensor	1/3" Progressive Scan CMOS
Min. Illumination	0.01 Lux @ (F1.2, AGC ON), 0 Lux with IR
Shutter Speed	1/3 s to 1/100,000 s
Slow Shutter	Yes
P/N	P/N
Wide Dynamic Range	120dB
Day & Night	ICR Cut
Power-off Memory	Yes
Angle Adjustment	2.8 mm: pan: -15° to 15°, tilt: 15° to 30°, rotate: -90° to 90° 4 mm/6 mm: pan: -15° to 15°, tilt: 0° to 30°, rotate: -90° to 90°
Lens	
Lens Type & FOV	2.8 mm: horizontal FOV 101°, vertical FOV 54°, diagonal FOV 120° 4 mm: horizontal FOV 83°, vertical FOV 42°, diagonal FOV 100° 6 mm: horizontal FOV 51°, vertical FOV 27°, diagonal FOV 60°
Aperture	F1.6
Lens Mount	M12
Illuminator	
IR Range	Up to 30 m
Wavelength	850 nm
Smart Supplement Light	Yes
Video	
Max. Resolution	1920 × 1080
Main Stream	50Hz:25fps(2560 × 1440, 1920×1080, 1280 × 960, 1280×720) 60Hz:30fps(2560 × 1440, 1920×1080, 1280 × 960, 1280×720)
Sub-Stream	50Hz: 25fps (704 × 576, 640 × 480, 352 × 288, 320 × 240) 60Hz: 30fps (704 × 576, 640 × 480, 352 × 288, 320 × 240)
Third Stream	50Hz: 25fps(1920 × 1080, 1280 × 960, 1280 × 720, 704 × 576, 640 × 480, 352 × 288, 320 × 240) 60Hz: 30fps(1920 × 1080, 1280 × 960, 1280 × 720, 704 × 480, 640 × 480, 352 × 240, 320 × 240)
Video Compression	Main Stream: H.265 /H.264 Sub-Stream: H.265 /H.264 / MJPEG Third Stream: H.265 /H.264
Video Bit Rate	Main Stream: 256 Kbps to 16 Mbps Sub-Stream: 256 Kbps to 4 Mbps Third Stream: 256 Kbps to 4 Mbps
H.264 Type	Baseline Profile/Main Profile/High Profile
H.265 Type	Main Profile
H.264+	Main Stream supports
H.265+	Main Stream supports
Bit Rate Control	CBR/VBR
Scalable Video Coding (SVC)	H.264 and H.265 encoding
Stream Type	Main Stream/Sub-Stream/Third Stream
Region of Interest (ROI)	1 fixed regions for each stream, and dynamic face tracking
Network	
Simultaneous Live View	Up to 20 channels
API	SDK, ONVIF (PROFILE S, PROFILE G, PROFILE T), ISAPI

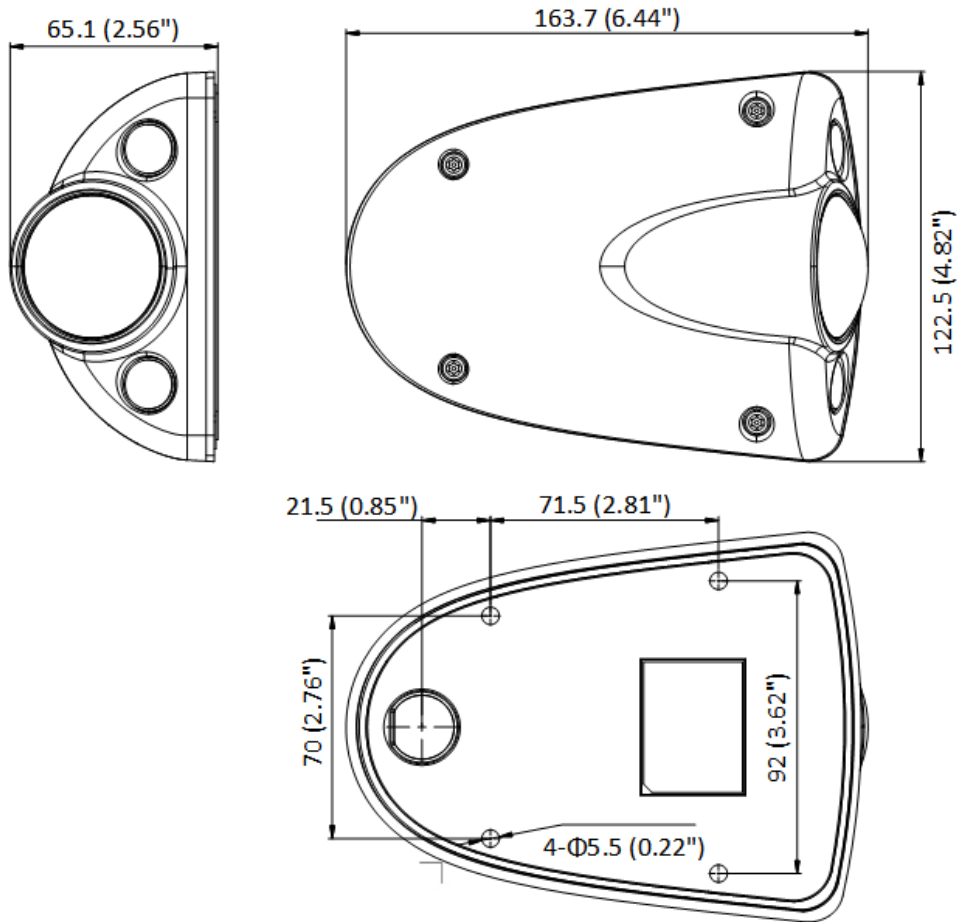
Protocols	TCP/IP, HTTP, HTTPS, FTP, DHCP, DNS, DDNS, RTP, RTSP, NTP, UPnP, SMTP, SNMP, UDP, SSL/TLS, RTCP, ICMP, IGMP
User/Host	Up to 32 users 3 levels: Administrator, Operator and User
Web Browser	Plug-in required live view: IE8+
Image	
Smart IR	no
Day/Night Switch	Day, Night, Auto, Schedule
Picture Overlay	LOGO picture can be overlaid on video with 128 × 128 24bit bmp format
Image Enhancement	BLC, HLC, 3D DNR,
Image Settings	Rotate mode, saturation, brightness, contrast, sharpness, gain, white balance adjustable by client software or web browser
SNR	> 50dB
Privacy Mask	4 regions of privacy mask
Interface	
Alarm	No
Audio	No
RS-485	No
Video Output	No
On-board Storage	Yes
Hardware Reset	Yes
Communication Interface	Without -M: 1 RJ45 10M/100M self-adaptive Ethernet port -M: 1 four-core M12 aviation plug
Power Output	No
Heater	Yes
Smart Feature-Set	
Smart Event	Line crossing detection, Intrusion detection, Region entrance detection, Region exiting detection, Unattended baggage detection, Object removal detection, Face detection: detects faces and upload images Scene change detection, defocus detection
General	
Online Upgrade	Yes
Dual Backup	Yes
Web Client Language	English
General Function	Anti- flicker, heartbeat, mirror, privacy masks,
Software Reset	Yes
Embedded Open Platform	No
Linkage Method	Upload to FTP, notify surveillance center, send email
Storage Conditions	-40 °C to 70 °C (-40 °F to 158 °F), Humidity 95% or less (non-condensing)
Startup and Operating Conditions	-40 °C to 70 °C (-40 °F to 158 °F).Humidity 95% or less (non-condensing)
Power Supply	-ID, -IDM: 9-36V, two-core terminal block, reverse polarity protection&PoE802.3af; -I/ND, -IM/ND: PoE: 802.3af, Type 1 Class 3
Power Consumption and Current	-ID, -IDM: 9-36v, max. 10 W -I/ND, -IM/ND: PoE: (802.3af, 36 V to 57 V), max.12.95 W

Power Interface	-I/ND: RJ45 interface, PoE power supply -ID: Ø5.5 mm coaxial power plug, DC power supply -IDM: two-core Molex connector, DC power supply -IM/ND: four-core M12 aviation plug, PoE power supply
Material	ADC12
Screw Material	SUS
Camera Dimension	163.7 × 122.6 × 65.1 mm (6.4" × 4.8" × 2.6")
Package Dimension	252 × 190 × 108 mm(9.9" × 7.5" × 4.3")
Camera Weight	850 g (1.9 lb.)
With Package Weight	1200 g (2.6 lb.)
Approval	
Class	Class B
EMC	FCC (47 CFR Part 15, Subpart B); CE-EMC (EN 55032: 2015, EN 61000-3-2: 2014, EN 61000-3-3: 2013, EN 50130-4: 2011 +A1: 2014); RCM (AS/NZS CISPR 32: 2015); IC (ICES-003: Issue 6, 2016); KC (KN 32: 2015, KN 35: 2015)
Safety	CB (IEC 60950-1:2005 + Am 1:2009 + Am 2:2013); CE-LVD (EN 60950-1:2005 + Am 1:2009 + Am 2:2013); BIS (IS 13252(Part 1):2010+A1:2013+A2:2015);
Environment	TBD
Protection	IP68&IP69K (IEC 60529-2013), IK10 (IEC 62262:2002)
Automotive and Railway	EN50155-2017(EN 50155:2017, EN 50121-3-2:2016, IEC 60068-2-1:2007, IEC 60068-2-2:2007, IEC 60068-2-30:2005, IEC 61373:2010); EN45545 (EN 45545-2:2013+A1:2015); E-MARK (ECE R10, R118)

▪ Available Model

DS-2XM6542G1-IDM(2.8/4/6 mm), DS-2XM6542G1-ID(2.8/4/6 mm), DS-2XM6542G1-IM/ND(2.8/4/6 mm), DS-2XM6542G1-I/ND(2.8/4/6 mm)

Dimension



Unit: mm (inch)

Distributed by

HIKVISION®

Headquarters

No.555 Qianmo Road, Binjiang District,
Hangzhou 310051, China
T +86-571-8807-5998
overseasbusiness@hikvision.com

Hikvision USA
T +1-909-895-0400
sales.usa@hikvision.com

Hikvision Australia
T +61-2-8599-4233
salesau@hikvision.com

Hikvision India
T +91-22-28469900
sales@pramahikvision.com

Hikvision Canada
T +1-866-200-6690
sales.canada@hikvision.com

Hikvision Thailand
T +662-275-9949
sales.thailand@hikvision.com

Hikvision Europe
T +31-23-5542770
sales.eu@hikvision.com

Hikvision Italy
T +39-0438-6902
info.it@hikvision.com

Hikvision Brazil
T +55 11 3318-0050
Latam.support@hikvision.com

Hikvision Turkey
T +90 (216)521 7070- 7074
sales.tr@hikvision.com

Hikvision Malaysia
T +601-7652-2413
sales.my@hikvision.com

Hikvision UK & Ireland
T +01628-902140
sales.uk@hikvision.com

Hikvision South Africa
Tel: +27 (10) 0351172
sale.africa@hikvision.com

Hikvision France
T +33(0)1-85-330-450
info.fr@hikvision.com

Hikvision Kazakhstan
T +7-727-9730667
nikia.panfilov@hikvision.ru

Hikvision Vietnam
T +84-974270888
sales.vt@hikvision.com

Hikvision UAE
T +971-4-4432090
salesme@hikvision.com

Hikvision Singapore
T +65-6684-4718
sg@hikvision.com

Hikvision Spain
T +34-91-737-16-55
info.es@hikvision.com

Hikvision Tashkent
T +99-87-1238-9438
uzb@hikvision.ru

Hikvision Hong Kong
T +852-2151-1761
info.hk@hikvision.com

Hikvision Russia
T +7-495-669-67-99
saleru@hikvision.com

Hikvision Korea
T +82-(0)31-731-8817
sales.korea@hikvision.com

Hikvision Poland
T +48-22-460-01-50
info.pl@hikvision.com

Hikvision Indonesia
T +62-21-2933759
Sales.Indonesia@hikvision.com

Hikvision Colombia
sales.colombia@hikvision.com