

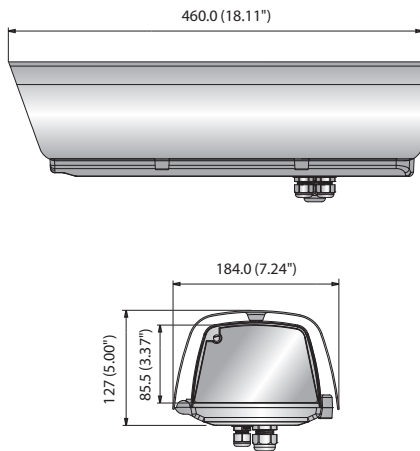
SHB-4301H2

Housing for Fixed Camera



Dimensions

Unit: mm (inch)



		SHB-4301H2
Purpose		Outdoor Housing
Product Name		Box Camera Housing
Features		Dustproof, Waterproof, IP66
Material		Aluminium Die-Casting ADC 12
Use Condition		-50°C ~ +50°C
Weight		3.7kg (8.16lb)(without Bracket)
Input Power		AC230V
Power Consumption	Fan	5W
	Defroster	10W
	Heater	20W * 2ea
Operation Temperature	Fan	45°C ± 5°C ON
	Defroster	Always ON
	Heater1	-5°C ± 5°C ON
	Heater2	5°C ± 5°C ON
Dimension	Outside	184mm(W) X 127mm(H) X 460mm(D) (7.24 X 5.00 X 18.11")
	Inside	99mm(W) X 80mm(H) X 190mm(D) (3.90 X 3.15 X 7.48")
Color		Ivory
Accessories	Housing	¼" -20X3/8" Screw (x2), Spring Washer (x1) Flat Washer (x1), Wrench(x1)
	Bracket	¼" x 1/2" Screw (x4)

* You can find applicable models with accessory selector www.hanwha-security.com/en/products/accessory-selector/

* The latest product information / specification can be found at hanwha-security.com

* Design and specifications are subject to change without notice.

* Wisenet is the proprietary brand of Hanwha Techwin formerly known as Samsung Techwin.