

AE-VC136T CMOS Low Light Color Camera



- Adopts progressive scan CMOS to prevent motion image aliasing
- Supports HD coaxial output with the resolution 720P
- Min. illumination: 0.01 Lux @(F1.2, AGC ON)
- Adopts auto electronic shutter to adapt to different environment
- Supports auto gain control and self-adaption to light
- Shock-proof design and aviation output plug



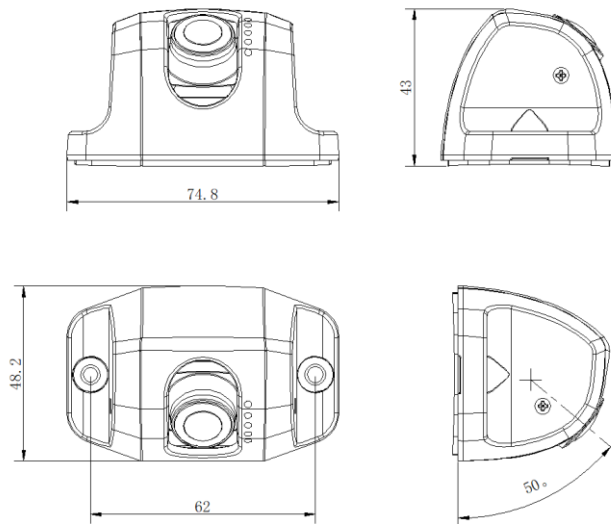
▪ Specification

Selection Parameter	
Min. Illumination	0.01 Lux@(F1.2, AGC ON), Low Lux
Protection Level	IP68, IP69K, IK10
Case Type	Square camera
Resolution	1280×720
Lens Type	Fixed focal lens, 1mm, 2.1mm optional
FOV	Wide Angle: 1mm, horizontal: 202°, vertical: 112°, diagonal: 202°
Sensor	Progressive Scan CMOS
Camera	
Shutter Speed	1/25 s to 1/30,000 s
P/N	NA
Wide Dynamic Range	96 dB
Day & Night	Color
Lens	
Lens Mount	M12
Video	
Frame Rate	720P@30 fps
Image	
SNR	42 dB
Interface	
Video Output	TVI
Built-in Microphone	NO
Built-in Speaker	NO
Audio	NA
Interface Style	1 Vpp Composite Output (aviation plug) 1: power, 2: g round, 3: N A, 4: video
Supplement Light Unit	
Power Supply	9 to 16 V DC
Power Consumption	Max. 1 W
General	
Camera Material	Metal
Camera Dimension	74.8mm × 48.2 mm × 43 mm (2.9" × 1.9" × 1.7")
Weight	Approx. 125 g (0.27 lb.)
Startup and Operating Conditions	-40 °C to 75 °C (-40 °F to 167 °F), 90%

▪ **Available Model**

AE-VC136T(1mm)

▪ **Dimension**



Unit: mm

Headquarters

No.555 Qianmo Road, Binjiang District,
Hangzhou 310051, China
T +86-571-8807-5998
www.hikvision.com

Follow us on social media to get the latest product and solution information.



Hikvision



HikvisionHQ



HikvisionHQ



Hikvision_Global



Hikvision
Corporate Channel



hikvisionhq

