

HCO-6070R

1080p Analog HD IR Bullet Camera

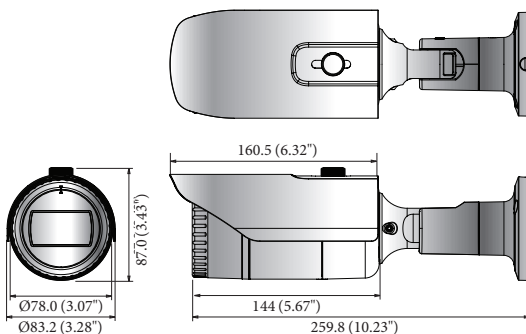


Key Features

- Full HD resolution
- 0.11 Lux@F1.6 (Color), 0 Lux (B/W : IR LED on)
- 3.2 ~ 10mm (3.1x) V/F lens
- Day & Night (ICR), WDR (120dB)
- SSNRIV, Motion detection
- IR viewable length 30m, IP66, IK10
- Transmission distance max.500m
- Easy Installation (Plug & play), Dual power

Dimensions

Unit : mm (inch)



Accessories (Optional)



SBO-100B1



SBP-302PM

| | HCO-6070RN | HCO-6070RP |
|----------------------------------|---|----------------|
| VIDEO | | |
| Imaging Device | 1/2.8" 2M CMOS | |
| Total Pixels | 1,945(H) x 1,109(V) 2.16M pixels | |
| Effective Pixels | 1,945(H) x 1,097(V) 2.13M pixels | |
| Scanning System | Progressive Scan | |
| Min. Illumination | Color : 0.11 Lux (F1.6, 1/30sec) B/W : 0 Lux (IR LED on) | |
| S / N Ratio | 52dB (AGC Off, Weight On) | |
| Video Output | BNC (AHD / TVI / CVI / CVBS selectable) | |
| Resolution | 1920 x 1080 | |
| Max. Frame rate | 30fps@1080p(N) | 25fps@1080p(P) |
| LENS TYPE | | |
| Focal Length (Zoom Ratio) | 3.2 ~ 10mm (3.1x) varifocal | |
| Max. Aperture Ratio | F1.6 | |
| Angular Field of View | H : 110.2°(Wide) ~ 32°(Tele) / V : 55.4°(Wide) ~ 18°(Tele) / D : 128.4°(Wide) ~ 36.6°(Tele) | |
| Min. Object Distance | 0.5m (1.64ft) | |
| Focus Control | Manual | |
| Lens Type | DC Auto Iris | |
| Mount Type | Board-in Type | |
| OPERATIONAL | | |
| On Screen Display | Multi-language support (16) English, Japanese, Spanish, French, Portuguese, Korean, German, Italian, Russian, Polish, Czech, Romanian, Serbian, Swedish, Danish, Turkish | |
| Camera Title | Off / On (Displayed 15 Characters) | |
| Day & Night | Auto (ICR) / Color / B/W | |
| Backlight Compensation | Off / User BLC / HLC / WDR | |
| Wide Dynamic Range | 120dB | |
| Digital Noise Reduction | SSNRIV (Off / On) | |
| Defog | Off / Auto / Manual | |
| Motion Detection | Off / On (4 zones) | |
| Privacy Masking | Off / On (8 zones rectangle) | |
| Gain Control | Off / Low / Middle / High / Very High | |
| White Balance | ATW / Outdoor / Indoor (4,500K ~ 8,500K) / Manual / AWC (1,800K ~ 10,500K) | |
| Electronic Shutter Speed | 1sec ~ 1/12,000sec | |
| Reverse | Off / H-Rev / V-Rev / HV-Rev | |
| Profile | Basic, Day & Night, Backlight, ITS, Indoor, User | |
| Alarm | (MD) Output 1 | |
| Remote Control Interface | Coaxial | |
| Protocol | AHD : ACP (AHD Coax Protocol), CVBS : Pelco-C (Coaxitron), CCP (CVI Coax Protocol), TCP (TVI Coax Protocol) | |
| IR Distance | 30m (98.43ft) | |
| Video Transmission Distance | 500m(5C2V Coaxial Cable) | |
| ENVIRONMENTAL | | |
| Operating Temperature / Humidity | -30°C ~ +55°C (-22°F ~ +131°F) / Less than 90% RH * Start up should be done at above -10°C (+14°F) | |
| Ingress Protection | IP66 | |
| Vandal Resistance | IK10 | |
| ELECTRICAL | | |
| Input Voltage / Current | Dual (24V AC ±10% & 12V DC ±10%) | |
| Power Consumption | Max. 6W | |
| MECHANICAL | | |
| Color / Material | Dark Gray / Aluminum | |
| Dimensions (WxH) | Ø78.0 x 259.8mm (Ø3.07" x 10.23") (Without sunshield) | |
| Weight | 914g (2.02 lb) | |

* The latest product information / specification can be found at hanwha-security.com
* Design and specifications are subject to change without notice.