

DHI-ASGY1XXA-X

Dahua Flap Barrier



Scene

It is suitable for use in residential areas, schools, government buildings, factories, office buildings and more.

Technical Specification

System

Main Processor	Embedded Processor
----------------	--------------------

Basic

Product Type	Flap barrier
Motor	Brushless DC motor
Status Indicator Light	Solid blue: Working Solid green: Normally on Strobing red: Abnormal Strobing green: Authorizing
Voice Prompt	Yes
Casing Material	SUS304

Function

Online Update	Yes
---------------	-----

Performance

MCBF	≥3 million
Product Life Span	≥3 million
Passage Width	Acrylic: 600 mm (23.62")
Max Custom Passage Width	Acrylic: 600 mm (23.62")
Passing Speed	20–60 people/min (subject to the people status and passing mode)
Unlock/Lock Speed	≥0.7 s
Pairs of IR Detectors	4
Cabinet Thickness	0.8 mm (0.03")

- 304 stainless steel cabinet with a thickness of 0.8 mm.
- Includes 4 pairs of IR detectors for the anti-squeeze and anti-tailing functions.
- Comes with an energy storage capacitor. When the device is turned off, the arm automatically opens.
- Brushless DC motor.
- Automatically locks when the unlock time expires.
- Sound and light alarm with adjustable volume.
- The passage width is 600 mm with Acrylic arms.
- MCBF (Mean Cycles between Failures) is higher than 3 million times.
- Supports normally opening the fire passage for quick evacuation in emergency.
- Offers 3 security level modes that are suitable for different scenes.
- Features 9 combinations of passage modes. You can build the combinations using authorized, prohibited and free for entry and exit.
- Supports configuring the speed it opens and closes, passing time for people, and delaying the closing time.
- Supports second authentication, and memorizing passing data for entry and exit.
- Supports people counting and reports the data to the platform.
- Alarms are triggered when the system detects events such as intrusion, tailing, reverse intrusion, staying in area, abnormal unlock and jumping the barrier.

Top Cover Thickness	1.2 mm (0.05")
Frame Thickness	0.8 mm (0.03")
Barrier Material	Acrylic
Barrier Thickness	12 mm (0.47")

General

Power Supply	Right turnstile: 100–240 VAC, 47 Hz–63 Hz Left turnstile: 24 VDC, 6 A
Vandal-proof Rating	IK06/IK08
Protection	IPX4
Power Consumption	Single turnstile: 10 W (standby), 35 W (working) Double turnstiles: 20 W (standby), 70 W (working)
Product Dimensions	1,200 mm × 280 mm × 980 mm (47.24" × 11.02" × 38.58") (L × W × H)
Packaging Dimensions	1,296 mm × 369 mm × 1,150 mm (51.02" × 14.3" × 45.28") (L × W × H)
Gross Weight	Single turnstile: 65 kg (143.30 lb) Double turnstiles: 72 kg (158.73 lb)
Operating Temperature	–25 °C to +70 °C (–13 °F to +158 °F)

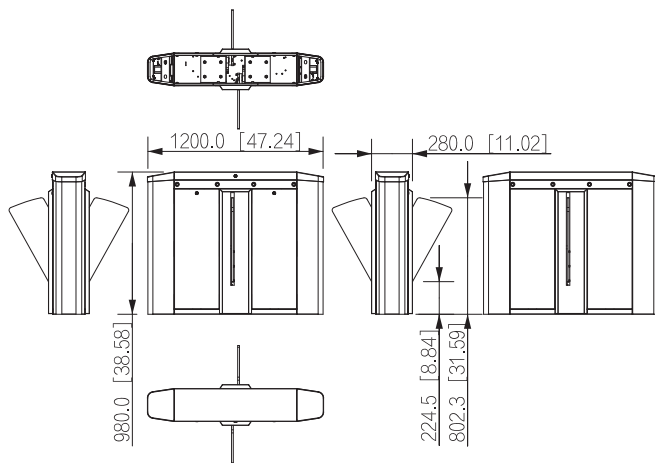
Flap Barrier | DHI-ASGY1XXA-X

Operating Humidity	5%–93% (RH), non-condensing
Operating Environment	Indoor; Outdoor
Storage Temperature	–25 °C to +70 °C (–13 °F to +158 °F)
Storage Humidity	5%–90% (RH), non-condensing

Ordering Information

Type	Model	Description
Flap Barrier	DHI-ASGY110A-L	Flap Barrier DHI-ASGY110A-L Single left turnstile
	DHI-ASGY110A-R1	Flap Barrier DHI-ASGY110A-R1 Single right turnstile
	DHI-ASGY110A-R2	Flap Barrier DHI-ASGY110A-R2 Single right turnstile
	DHI-ASGY120A-D1	Flap Barrier DHI-ASGY120A-D1 Single middle turnstile
	DHI-ASGY120A-D2	Flap Barrier DHI-ASGY120A-D2 Single middle turnstile

Dimensions (mm[inch])



Application

