

BRACKETS AND ADAPTERS FOR MEDUSA

DBH06 WALL BRACKET FOR MEDUSA DOME

Made of aluminium

Internal cable management

Load rating: 25kg (55lb) (static load)

Unit weight: 1.3kg (2.8lb)



DBH06

DBH07 CEILING/PARAPET BRACKET FOR MEDUSA DOME

Made of aluminium

Internal cable management

Load rating: 25kg (55lb) (static load)

Unit weight: 2.9kg (6.4lb)



DBH07

PTCC1 POLE MOUNT ADAPTOR

Made of aluminium

For pole diameters: 80÷150mm (3÷5.9in)

Load rating: 50kg (110lb) (static load)

Unit weight: 2.6kg (5.7lb)



PTCC1

DBHWGC POLE MOUNT ADAPTOR

Made of steel

For pole diameters: 210÷225mm (8.3÷8.6in)

Load rating: 25kg (55lb) (static load)

Unit weight: 1.2kg (2.6lb)



DBHWGC

WCWGC CORNER MOUNT ADAPTER

Made of steel

Load rating: 50kg (110lb) (static load)

Unit weight: 2.2kg (4.8lb)



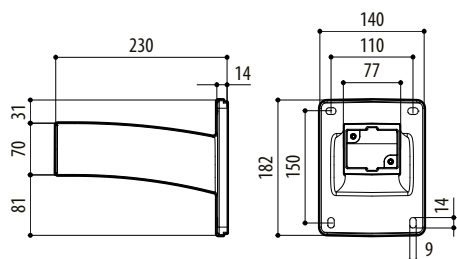
WCWGC

| PACKAGE | | | |
|--------------|---------------|-----------------------------|---------------|
| Model Number | Weight | Dimensions (WxHxL) | Master carton |
| DBH06 | 1.5kg (3.3lb) | 24x16x20cm (9x6x8in) | 11 |
| Model Number | Weight | Dimensions (WxHxL) | Master carton |
| DBH07 | 3.3kg (7.3lb) | 14.5x12x35cm (6x5x14in) | 8 |
| Model Number | Weight | Dimensions (WxHxL) | Master carton |
| PTCC1 | 2.8kg (6.2lb) | 14x25.5x20cm (5.5x10x7.9in) | 8 |

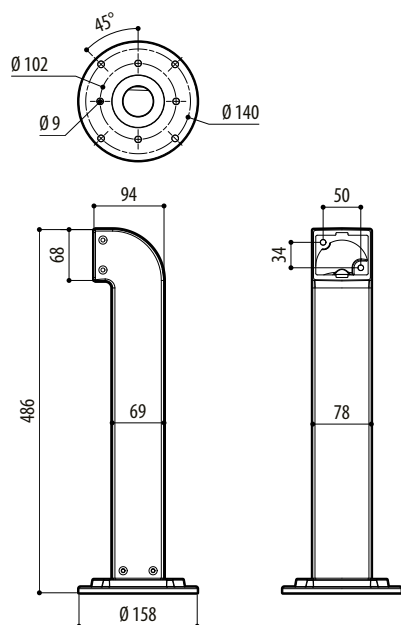
| PACKAGE | | | |
|--------------|---------------|-------------------------------|---------------|
| Model Number | Weight | Dimensions (WxHxL) | Master carton |
| DBHWGC | 1.5kg (3.3lb) | 24x15x22cm (9x6x9in) | 10 |
| Model Number | Weight | Dimensions (WxHxL) | Master carton |
| WCWGC | 2.6kg (5.7lb) | 24x32x24.5cm (9.4x12.6x9.6in) | 8 |

TECHNICAL DRAWINGS

Sizes in millimeters.

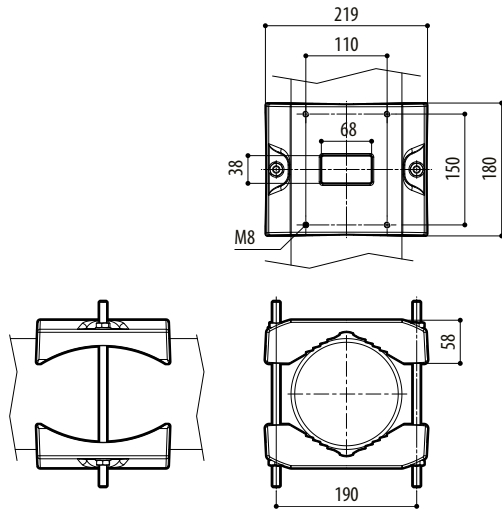


DBH06

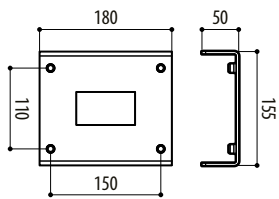


DBH07

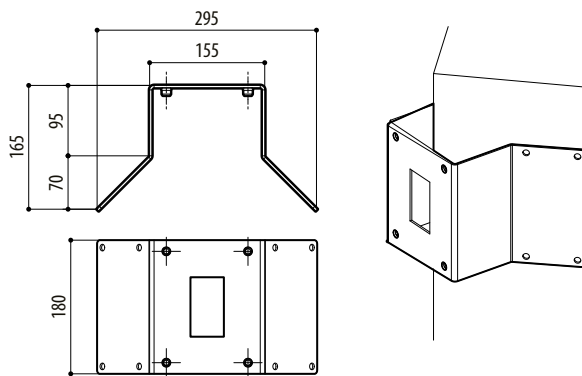
Sizes in millimeters.



PTCC1



DBHWGC



WCWGC

