

TNB-6030

Public View Monitoring Camera

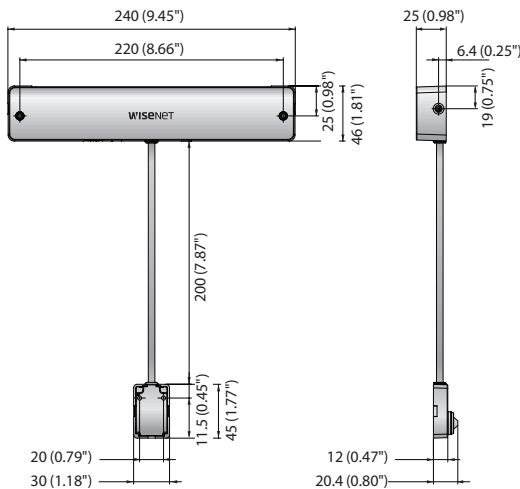


Key Features

- Max. 2Megapixel (1920 x 1080) resolution
- HDMI Output (1080p Full HD)
- True WDR (150dB)
- Face detection overlay
- Text overlay and blinking "Recording in progress"
- Discreet design for public view monitoring
- Max. 60fps@all resolutions, 0.06 Lux@F2.5 (Color)
- H.265, H.264, MJPEG codec supported, Multiple streaming
- SD/SDHC/SDXC memory slot (256GB)
- Hallway view, WiseStreamII, LDC support
- Bi-directional audio support, Alarm I/O (1ea)
- PoE, 12V DC

Dimensions

Unit : mm (inch)



TNB-6030

VIDEO	
Imaging Device	1/2.8" 2M CMOS
Total Pixels	1,945(H) x 1,109(V) 2.16M pixels
Effective Pixels	1,945(H) x 1,097(V) 2.13M pixels
Scanning System	Progressive Scan
Min. Illumination	Color: 0.06 Lux (1/30sec, F2.5)
S / N Ratio	50dB
Video Out	Micro HDMI (Max. 1920 x 1080 60fps)
LENS	
Focal Length (Zoom Ratio)	4.6mm
Max. Aperture Ratio	F2.5
Angular Field of View	H : 73.8° / V : 39.6° / D : 86.8°
Min. Object Distance	0.98ft (0.3m)
Lens / Mount Type	Pinhole / Board-in type
OPERATIONAL	
Camera Title	Off / On (Displayed up to 85 characters) - English / Numeric / Special characters - Multi-line (Max. 5), Color (Gray / Green / Red / Blue / Black / White), - Transparency, Auto scale by resolution - Text Blinking, Pre-configured Text "Recording in progress"
Day & Night	Auto (Electrical) / Color / B/W
Backlight Compensation	Off / BLC / HLC (Masking / Dimming) / WDR
Wide Dynamic Range	150dB
Contrast Enhancement	SSDR (Off / On)
Digital Noise Reduction	SSNRV (2D+3D noise filter) (Off / On)
Digital Image Stabilization	Off / On
Defog	Off / Auto (input from fog detection) / Manual
Motion Detection	Off / On (8ea, 8point Polygonal zones), Handover
Privacy Masking	Off / On (32ea, polygonal zones) - Color : Gray / Green / Red / Blue / Black / White - Mosaic
Gain Control	Off / Low / Middle / High
White Balance	ATW / AWC / Manual / Indoor / Outdoor (included Mercury & Sodium)
Contrast	Level adjustment
LDC (Lens Distortion Correction)	Off / On (5 Levels with min / max)
Electronic Shutter Speed	Minimum / Maximum / Anti Flicker (2 ~ 1/12,000sec)
Digital PTZ	24x, Digital PTZ (Preset, Group)
Flip / Mirror	Off / On, Hallway view : 90°/270°
Video & Audio Analytics	Tampering, Loitering, Directional detection, Defocus detection, Fog detection, Virtual line, Enter/Exit, (Dis) Appear, Face detection, Motion detection, Digital auto tracking
Face Detection	- Up to 6 faces detectable in real time - Detection distance : up to 50ft (15.24m) - Overlay color changeable : Blue / Red / Green / Orange / Black
Alarm I/O	Input 1ea / Output 1ea
Alarm Triggers	Motion detection, Video & audio analytics, Network disconnect
Alarm Events	File Upload Via FTP, E-mail, Notification via E-mail, Local storage (SD/SDHC/SDXC) or NAS recording at event triggers, External output, DPTZ preset Support
Pixel Counter	Support
NETWORK	
Ethernet	RJ-45 (10/100 BASE-T)
Video Compression Format	H.265 / H.264 (MPEG-4 Part 10/AVC) : Main / Baseline / High, MJPEG
Resolution	1920 x 1080, 1280 x 1024, 1280 x 960, 1280 x 720, 1024 x 768, 800 x 600, 800 x 448, 720 x 576, 720 x 480, 640 x 480, 640 x 360, 320 x 240
Max. Framerate	H.265 / H.264 : Max. 60fps at all resolutions, MJPEG : Max. 30fps
Smart Codec	Manual mode (Area-based) : 5ea
WiseStream II	Support
Video Quality Adjustment	H.265 / H.264 / MJPEG : Target Bitrate Level Control
Bitrate Control Method	H.265 / H.264 : CBR or VBR, MJPEG : VBR
Streaming Capability	Multiple streaming (Up to 10 Profiles)
Audio In	Selectable (Mic in / Line in), Supply voltage : 2.5V DC (4mA), Input impedance : approx. 2K Ohm
Audio Out	Line out, Max output level : 1 Vrms
Audio Compression Format	G.711 u-law/G.726 selectable, G.726 (ADPCM) 8KHz, G.711 8KHz G.726 : 16Kbps, 24Kbps, 32Kbps, 40Kbps, AAC-LC : 48Kbps at 16KHz
Audio Communication	Bi-directional (2-way)
IP	IPv4, IPv6
Protocol	TCP/IP, UDP/IP, RTP (UDP), RTP (TCP), RTCP, RTSP, NTP, HTTP, HTTPS, SSL/TLS, DHCP, PPPoE, FTP, SMTP, ICMP, IGMP, SNMPv1/v2c/v3 (MIB-2), ARP, DNS, DDNS, QoS, PIM-SM, UPnP, Bonjour
Security	HTTPS (SSL) login authentication, Digest login authentication IP address filtering, User access log, 802.1X authentication (EAP-TLS, EAP-LEAP)
Streaming Method	Unicast / Multicast
Max. User Access	20 Users at Unicast Mode
Edge Storage	SD/SDHC/SDXC (256 GB) - Motion Images recorded in the SD/SDHC/SDXC memory card can be downloaded. NAS (Network Attached Storage), Local PC for Instant Recording
Application Programming Interface	ONVIF Profile S/G, SUNAPI (HTTP API), Open Platform
Webpage Language	English
Web Viewer	Supported OS : Windows 7, 8.1, 10, Mac OS X 10.10, 10.11, 10.12 Plug-in free Web viewer - Supported Browser : Google Chrome, MS Edge, Mozilla Firefox (Window 64bit only), Apple Safari (Mac OS X only) Plug-in Webviewer - Supported Browsers : MS Explore 11, Apple Safari (Mac OS X only)
Central Management Software	SmartViewer, SSM
ENVIRONMENTAL	
Operating Temperature / Humidity	+14°F ~ +122°F (-10°C ~ +50°C) / Less than 90% RH
Storage Temperature / Humidity	-22°F ~ +140°F (-30°C ~ +60°C) / Less than 90% RH
ELECTRICAL	
Input Voltage / Current	PoE (IEEE802.3af, Class3), 12V DC
Power Consumption	Max. 6W (12V DC), Max. 7W (PoE)
MECHANICAL	
Color / Material	Black / Plastic, Metal
Dimensions (WxHxD)	Main unit : 9.45" x 1.81" x 0.98" (240 x 46 x 25mm) Lens : 1.18" x 1.77" x 0.8" (30 x 45 x 20.4mm)
Weight	0.54 lb (245g)

* The latest product information / specification can be found at hanwha-security.com
* Design and specifications are subject to change without notice.