

VARIO2 Extreme Infra-Red High Performance Lighting for Extreme Environments



- Extreme Temperatures
- Extreme Salinity
- Extreme Humidity
- Extreme Vibration
- Extreme Impact Resistance
- Distances up to 500m (1640ft)
- PLATINUM Elite SMT LED Technology
- Hot-spot Reduction Technology (HRT)
- VARIO Interchangeable Lens System
- Angles from 10-120 degrees – from 1 product

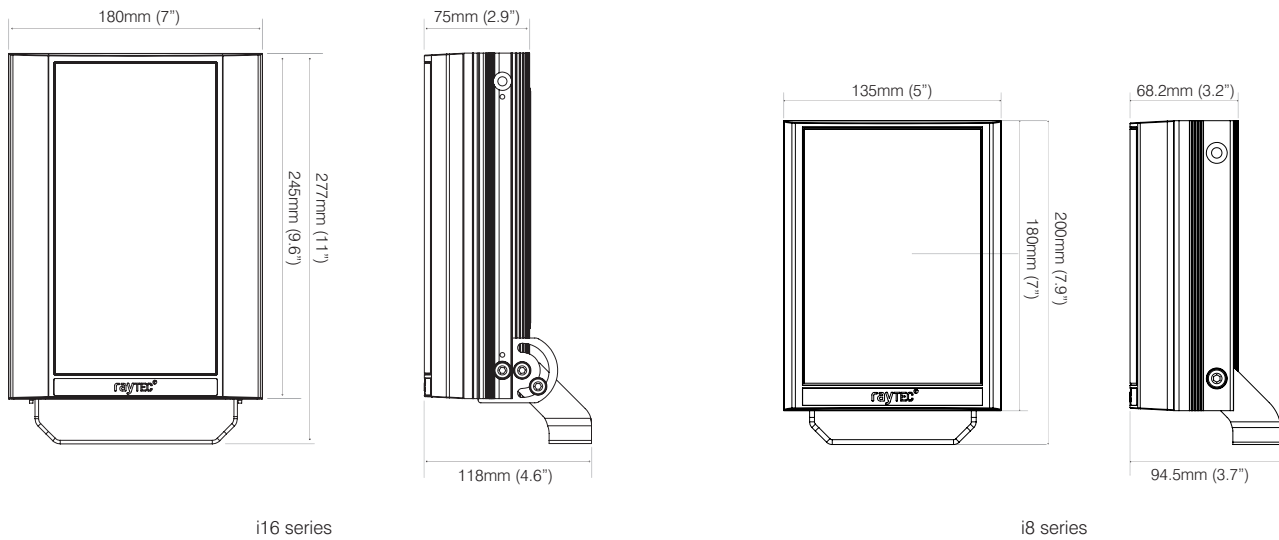
VARIO2 Extreme illuminators are designed to provide extreme durability for video surveillance systems operating in the most challenging environments.

VARIO2 Extreme illuminators use PLATINUM Elite SMT LED technology to deliver world leading power and illumination distances to improve the performance of any surveillance system at night. The VARIO2 Extreme series also offers a suite of advanced security features for easier programming and safer operation of smart lighting systems.

VARIO2 Extreme features an interchangeable lens system with Hot-spot Reduction Technology to deliver highly even illumination, where it is most needed, for outstanding night-time images. With the optional hand-held remote control, VARIO2 Extreme also makes installation and commissioning quicker, easier and safer.

The VARIO2 Extreme i16 Infra-Red series delivers maximum distances up to 500m (1640ft), and the i8 Infra-Red series delivers maximum distances up to 350m (1148ft).

Product Dimensions



Features

Benefits

Extreme Durability in Challenging Conditions

VARIO2 Extreme is rated for use in the harshest environmental and operating conditions, including IP67, IK09, Extreme Salinity, Extreme Humidity and Extreme Vibration.

Wide Operating Temperature

With a wide operating temperature range of -50° to +75°C (-58° to 167°F), VARIO2 Extreme illuminators can withstand the harshest environments providing rock-solid, industrial grade performance at all times.

VARIO Interchangeable lens system

Angle of illumination can be easily, quickly and precisely adjusted by changing the VARIO holographic lens insert, to match the specific camera field of view.

Hot-spot Reduction Technology (HRT)

HRT - Hot-Spot Reduction Technology delivers a highly diffused, elliptical beam shape to deliver more light where it is needed, generating both longer distances and minimizing light wastage. The HRT system also prevents overexposure of foreground objects.

VARIO Remote Control (optional)

Allows set up quickly and safely from ground level and provides access to advanced set up features. Reduces both cost and time of installation and commissioning.

LED Status Indicator

Quick operational feedback on status and performance of the illuminator. Allows simple and quick commissioning of the installation and easy maintenance reviews

Platinum Elite SMT LED Technology

VARIO2 illuminators use cutting edge PLATINUM Elite SMT LED technology together with an enhanced Cool Running™ thermal management system to deliver World leading power, reliability and flexibility.

Active LED Life Control

An Advanced Cool Running™ system draws heat away from the LEDs, shielding the LED from abnormal stress, and allows Raytec LED products to deliver outstanding performance and consistency of illumination throughout the operational life of the illuminator.

5 YEAR WARRANTY

All Raytec luminaires are provided with an industry leading 5 year warranty and have an expected useful life in excess of 10 years



Technical Specifications

Illuminator

Model	i16	i8
Max Distance	500m (1640ft)	350m (1148ft)
Consumption	100W	46W
Number of LEDs	48	24
Weight	3.1kg (6.8lbs)	1.65kg (3.6 lbs)
Dimensions	180x277x75mm (7"x11"x2.9" approx.)	135 x 180 x 68.2mm (5" x 7" x 2.6" approx.)
Angle	Standard pack includes 10 circular + 35 x 10 (fitted as standard) and 60 x 25 elliptical lenses Additional optional lenses: 80 x 30 and 120 x 50	
Input	24V AC/DC	
Beam Shape	Elliptical with HRT (Hot-spot Reduction Technology)	
Beam Angle System	VARIO Interchangeable Lens System	
LED Type	PLATINUM Elite SMT LEDs	
Wavelength	850nm (940nm options available)	
Environmental Rating	IP67, IK09, Extreme Salinity, Extreme Humidity, Extreme Vibration	
Temperature Range	- 50° to +75°C (-58 to 167°F)	
Colour	Black	
Cable Length	2.5m	
Bracketry	U bracket included VUB Bracketry also available (Optional)	
Country of Manufacture	United Kingdom	

Integrated Command and Control Technology

Integrated Standard Features	<ul style="list-style-type: none"> Power adjust from 20-100% In-built photocell for automatic on/off operation Photocell following output Photocell sensitivity adjust Telemetry input LED status indicator provides status on performance of the unit LED status indicator on/off Disable programming mode
Advanced Features (accessed via VARIO remote control)	<ul style="list-style-type: none"> Timer function (up to 30 mins) Telemetry control Remote Dimming Restore factory default settings Optional PIN to lock in settings and limit access Remote Control can be disabled for improved security

POWERS – The Open Lighting Standard

Specifications and distances based on the POWERS lighting standard
For full POWERS data and A&E specifications please contact sales@rayteccctv.com

Product Codes

Part Codes	Description	Angles	Distances
VAR2-XTR-i16-1	VARIO2 Extreme i16, 850nm, with 3 angle options included, 24V AC/DC	10 x 10°	500m (1640ft)
		35 x 10° (fitted as standard)	250m (820ft)
		60 x 25°	135m (443ft)
		80 x 30° (optional)	105m (344ft)
		120 x 50° (optional)	65m (213ft)
VAR2-XTR-i16-1-c	VARIO2 Extreme i16, 940nm, with 3 angle options included, 24V AC/DC	Same as above	Contact Raytec
VAR2-XTR-i8-1	VARIO2 Extreme i8, 850nm, with 3 angle options included, 24V AC/DC	10 x 10°	350m (1148ft)
		35 x 10° (fitted as standard)	165m (541ft)
		60 x 25°	95m (311ft)
		80 x 30° (optional)	70m (230ft)
		120 x 50° (optional)	45m (148ft)
VAR2-XTR-i8-1-c	VARIO2 Extreme i8, 940nm, with 3 angle options included, 24V AC/DC	Same as above	Contact Raytec

Optional Parts

VAR-rc	Remote Control for any VARIO2 Illuminator (only 1 remote needed)
VAR-i16-LENS-8030	Individual i16 VARIO lens – 80°H x 30°V
VAR-i16-LENS-12050	Individual i16 VARIO lens – 120°H x 50°V
VAR-i8-LENS-8030	Individual i8 VARIO lens – 80°H x 30°V
VAR-i8-LENS-12050	Individual i8 VARIO lens – 120°H x 50°V