

VARIO PSU

VARIO Power Supply Units

The VARIO series of Power Supply Units (PSU) is purpose designed to correctly power all VARIO illuminators including VARIO IP, and provides a platform for the easiest, quickest and safest wiring and installation.

As a full product family, there is a PSU to power any VARIO illuminator. The VARIO PSU requires a 100-230V AC input and provides 24V output. 20W, 50W, 100W and 150W PSU options are available.

With multiple outputs, installers have the ability to power multiple VARIO illuminators from a single PSU (medium, large, and x-large size PSU only). The VARIO PSU also provides CAT5 connectivity for VARIO IP network illuminators (medium, large, and x-large size PSU only).

Each PSU features a 'Fast-Connect' wiring terminal for quick and easy wiring of all VARIO input and output connections, including telemetry input and photocell following output. White-Light LED status indicators are also provided on all fused outputs to indicate the correct voltage and to provide support illumination during wiring.

The VARIO PSU has a high quality IP66 aluminium enclosure making it suitable for all environmental conditions. It also features convenient automotive blade output fuses allowing for fast and easy sourcing and replacement if required. The Slowblow input fuse can also be easily replaced without disconnecting the mains input, for easier and safer installation and maintenance. The VARIO PSU series is suitable for all VARIO low voltage lighting installations.

Features

Powerful

- Powers all VARIO illuminators including VARIO IP
- Powers multiple VARIO illuminators from one PSU

Flexible

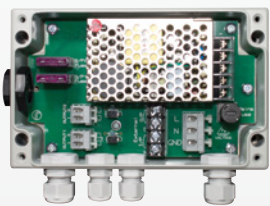
- CAT5 connection for VARIO IP (medium, large, and x-large only)
- 'Fast-Connect' easy wiring for all VARIO input and output connections
- Internal illumination for night time installation

Reliable

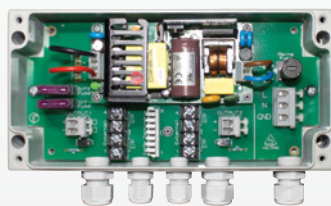
- High Quality IP66 Aluminium Enclosure
- Automotive blade output fuses - fast and easy sourcing and replacement

Controlled

- Provides correct power for all VARIO illuminators
- Slowblow input fuse - replaceable without disconnecting mains input
- Status indicators signify correct voltage



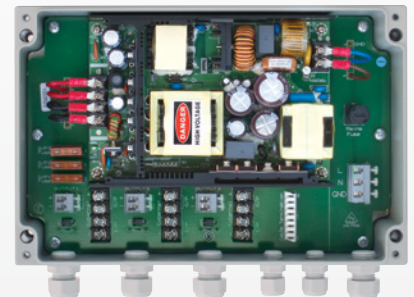
PSU-VAR-20W-1 (small)



PSU-VAR-50W-2 (medium)



PSU-VAR-100W-2 (large)

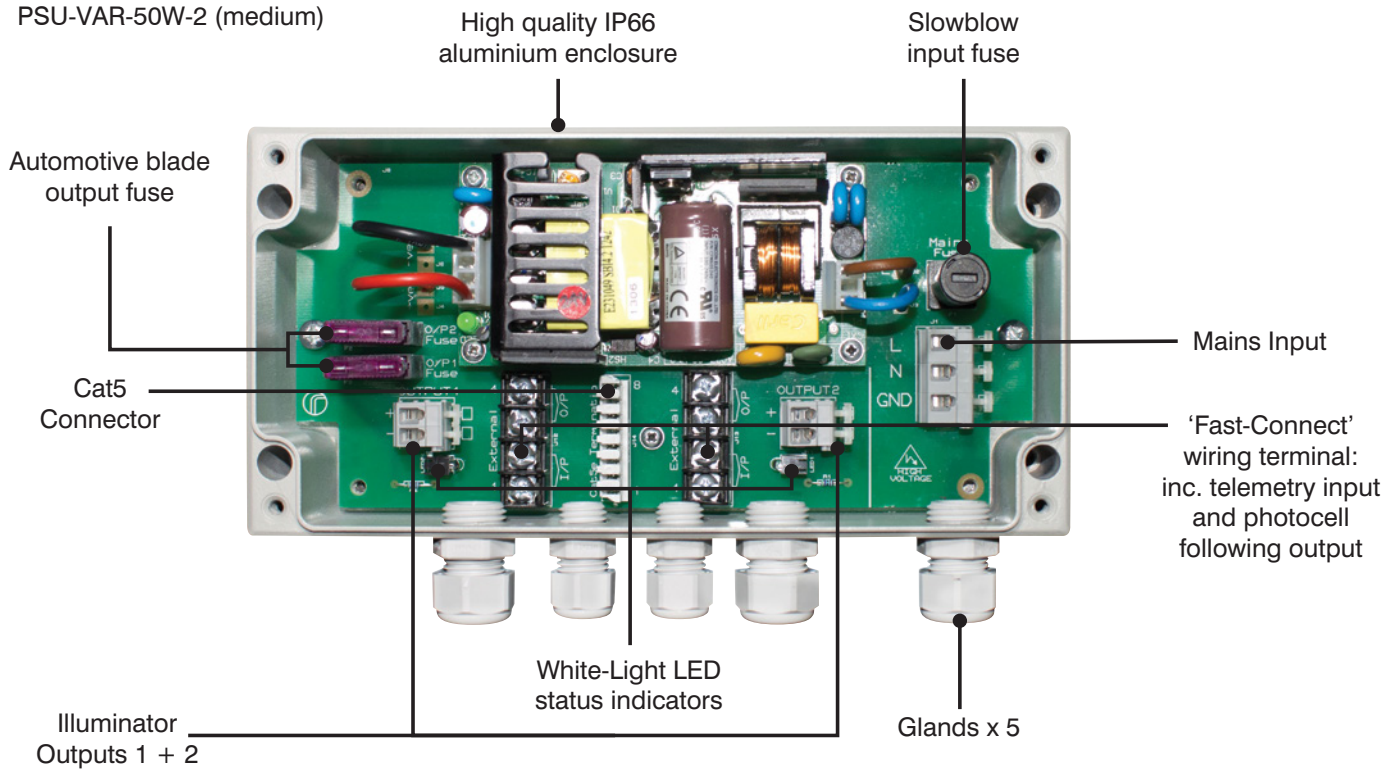


PSU-VAR-150W-3 (x-large)

VARIO PSU Diagram

Model shown:

PSU-VAR-50W-2 (medium)



Features

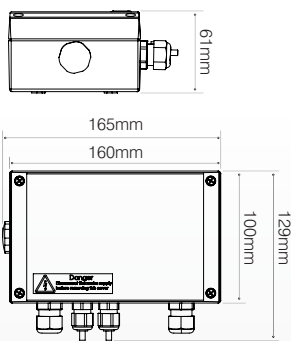
Benefits

Purpose designed PSU for VARIO illuminators	Provides correct power and provides easy wiring and installation
A full family of VARIO PSU's	Can power any VARIO illuminator
Multiple outputs (available on medium, large, and x-large model)	Ability to run multiple VARIO units from a single PSU
Cat 5 connector (available on medium, large, and x-large model)	Easy CAT5 connection for VARIO IP illuminators
'Fast-Connect' Wiring	Robust terminal for fast and easy wiring of all input/output connections
White-Light LED status indicators	To identify correct output voltage and provide support illumination during installation and maintenance
High quality IP66 aluminium enclosure	Suitable for all environmental conditions
Automotive blade output fuses	Fast, easy sourcing and replacement
Slowblow input fuse	Can be replaced without disconnecting mains for easier and safer installation and maintenances.

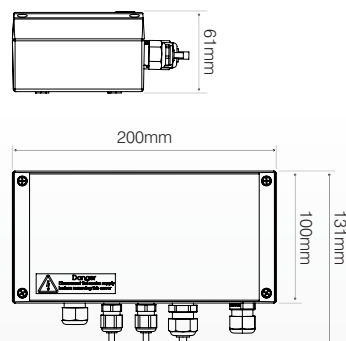
Technical Specifications

	PSU-VAR-20W-1	PSU-VAR-50W-2	PSU-VAR-100W-2	PSU-VAR-150W-3
Illuminators (standard)	1x VARIO 2 series plus aux output (max 8W)	2 x VARIO 4 series	2 x VARIO 8 series or 1x VARIO 16 series	3 x VARIO 8 series
Other Illuminator options		4 x VARIO 2 series*	4 x VARIO 4 series* 8 x VARIO 2 series*	1 x VARIO 16 series* 6 x VARIO 4 series*
*Please note: for medium, large and x-large PSUs powering an increased number of VARIO illuminators, the total power of the illuminators must be equivalent to the PSU max output - illuminator output cables may also need to be commoned together to suit the number of available glands.				
Mixed model sizes of VARIO illuminators can be powered from the same PSU e.g. PSU-VAR-50W-2 can also run 2 x VARIO 2 series and 1 x VARIO 4 series				
Input	100-230V AC			
Input Fuse Type	20mm, slowblow, user replaceable without disconnecting mains input			
Input Fuse Rating	1A	2.5A	2.5A	2.5A
Max Output	20W	50W	100W	150W
Output for VARIO Illuminators	1 for VARIO 2 series	2 for VARIO 4 series or equivalent power units	2 for VARIO 8 series or equivalent power units	3x VARIO 8 series or equivalent power units
Output Fuse Type	automotive, blade, user replaceable			
Output Fuse Rating	3A	3A	5A	5A
FastConnect™ wiring	Quick and easy wiring for VARIO input and output connections - 4 way robust terminal for telemetry input and photocell following output			
White Light status LEDs	White-Light LED status indicators on all fused outputs to indicate correct voltage and to provide support illumination during installation and maintenance			
Cat5 Connector	N/A	Cat5 Connector for VARIO IP	Cat 5 Connector for VARIO IP	Cat 5 Connector for VARIO IP
Glands	2x M16, 2x M12, IP68	3x M16, 2x M12, IP68	3x M16, 2x M12, IP68	4x M16, 2x M12, IP68
Enclosure construction	High quality, power coated, IP66 aluminium			
Dimensions	160 x 129 x 61 mm	200 x 131 x 61 mm	160 x 191 x 81 mm	240 x 191 x 81 mm
Weight	0.9kg	1.0kg	1.7kg	2.4kg
IP Rating	IP66			
Certification	CE compliant			
Accessories available	External mounting feet			

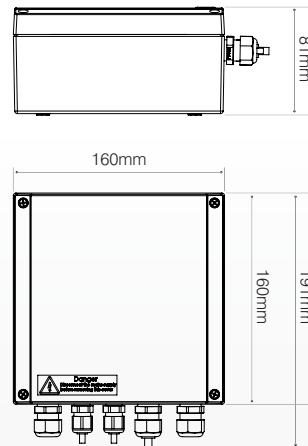
PSU-VAR-20W-1 (small)



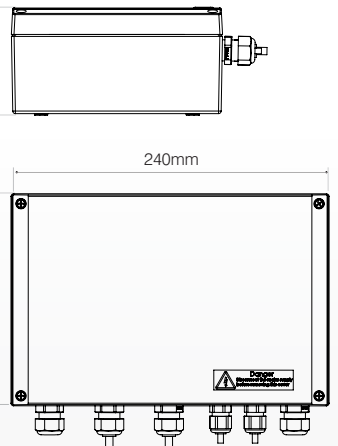
PSU-VAR-50W-2 (medium)



PSU-VAR-100W-2 (large)



PSU-VAR-150W-3 (x-large)



Part Codes

PSU-VAR-20W-1	VARIO PSU - 24V, 20W, 1xO/P for 1x2 series VARIO illuminator
PSU-VAR-50W-2	VARIO PSU - 24V, 50W, 2xO/P for 2x4 series VARIO illuminators
PSU-VAR-100W-2	VARIO PSU - 24V, 100W, 2xO/P for 2x8 series VARIO illuminators
PSU-VAR-150W-3	VARIO PSU - 24V, 150W, 3xO/P for 3x8 series VARIO illuminators

3 YEAR WARRANTY

All Raytec power supply units are provided with a 3 year warranty. Raytec power supply units are IP66 rated, robust and highly durable for long life and operation in all environmental conditions.



Raytec Global (excluding Americas)
Tel: +44 (0) 01670 520055
sales@rayteccctv.com
www.rayteccctv.com

Raytec Americas:
Tel: +1 613 270 9990
Toll Free: +1 888 505 8335
ussales@rayteccctv.com

