



LNO-6022R

2M IR Bullet Camera

Benefits

- Wisenet L Series cameras provide excellent quality and value. Choose between IR Domes, Vandal Domes and Bullets, there is an L series camera for every application.
- Simple no frills cameras are ideal for those venturing into CCTV for the first time or have a limited budget but still want the reassurance of great quality.

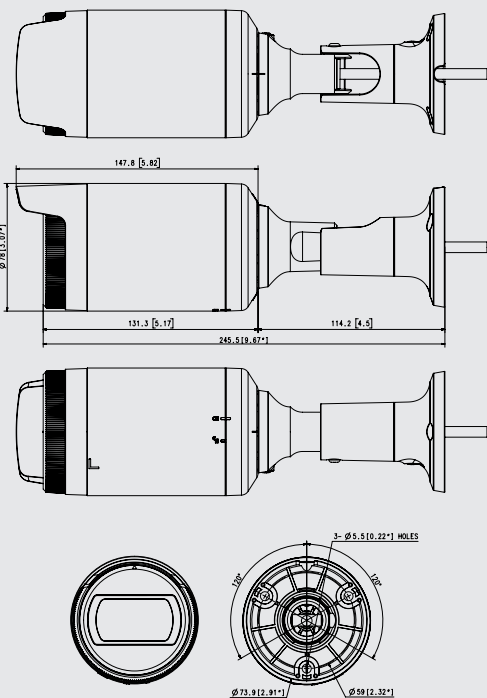
LNO-6022R	
VIDEO	
Imaging Device	1/2.8" 2MP CMOS
Effective Pixels	1945(H)x1097(V)
Min. Illumination	Colour: 0.03Lux(F2.0, 1/30sec) BW : 0Lux (IR LED on)
LENS	
Focal Length (Zoom Ratio)	4.0mm fixed focal
Max. Aperture Ratio	F2.0
Angular Field of View	H: 84.3° / V: 45.6° / D: 98.3°
Min. Object Distance	0.5m(1.64ft)
Focus Control	Fixed
OPERATIONAL	
IR Viewable Length	30m(98.43ft)
Camera Title	Displayed up to 15 characters
Day & Night	Auto(ICR)
Backlight Compensation	BLC, WDR, SDR
Wide Dynamic Range	120dB
Digital Noise Reduction	SSNR
Motion Detection	4ea, rectangular zones
Privacy Masking	6ea, rectangular zones
Gain Control	Low / Middle / High
White Balance	ATW / AWC / Manual / Indoor / Outdoor
LDC	Support
Electronic Shutter Speed	Minimum / Maximum / Anti flicker
Video Rotation	Flip, Mirror, Hallway view(90°/270°)
Analytics	Motion detection, Tampering
Alarm Triggers	Analytics
Alarm Events	File upload via FTP and e-mail Notification via e-mail SD/SDHC recording at event triggers
NETWORK	
Ethernet	RJ-45(10/100BASE-T)
Video Compression	H.264: Main/Baseline/High, MJPEG
Resolution	1920x1080, 1280x960, 1280x720, 800x600, 800x448, 720x576, 720x480, 640x480, 640x360
Max. Framerate	H.264: Max. 30fps/25fps(60Hz/50Hz) MJPEG : Max. 2fps at 1920x1080, Max., 3fps at 1280x960, 1280x720, Max. 10fps at other resolution
Smart Codec	WiseStreamII
Video Quality Adjustment	H.264: Target bitrate level control MJPEG: Quality level control
Bitrate Control	H.264: CBR or VBR MJPEG: VBR
Streaming	Unicast(6 users) / Multicast Multiple streaming (Up to 3 profiles)
Protocol	IPv4, IPv6, TCP/IP, UDP/IP, RTP(UDP), RTP(TCP), RTCP, RTSP, NTP, HTTP, HTTPS, SSL/TLS, DHCP, FTP, SMTP, ICMP, IGMP, SNMPv1/v2c/v3(MIB-2), ARP, DNS, DDNS, QoS, UPnP, Bonjour
Security	HTTPS(SSL) Login Authentication Digest Login Authentication IP Address Filtering User access log 802.1X Authentication(EAP-TLS, EAP-LEAP)
Edge Storage	Micro SD/SDHC 1slot 32GB
Application Programming Interface	ONVIF Profile S/G/T SUNAPI(HTTP API)

Key Features

- Max. 2megapixel (1920 x 1080) resolution
- Built-in 4mm fixed lens
- Max. 30fps@all resolutions (H.264)
- H.264, MJPEG codec supported, Multiple streaming
- Day & Night (ICR), WDR (120dB)
- Tampering, Motion detection
- microSD/SDHC/SDXC memory slot (Max. 32GB), PoE
- Hallway view, WiseStreamII support
- IR viewable length 30m
- IP66 support

Dimensions

Unit:mm(inch)



LNO-6022R

NETWORK

Webpage Language	English, Korean, Chinese, French, Italian, Spanish, German, Japanese, Russian, Swedish, Portuguese, Czech, Polish, Turkish, Dutch
Web Viewer	Supported OS: Windows 7, 8.1, 10, Mac OS X 10.12, 10.13, 10.14 Recommended Browser: Google Chrome Supported Browser: MS Explore11, MS Edge, Mozilla Firefox(Window 64bit only), Apple Safari(Mac OS X only)
Memory	512MB RAM, 256MB Flash

ENVIRONMENTAL

Operating Temperature / Humidity	-30°C ~ +55°C(-22°F ~ +131°F) / Less than 90% RH * Start up should be done at above -20°C(-4°F)
Storage Temperature / Humidity	-30°C ~ +55°C(-22°F ~ +131°F) / Less than 90% RH
Certification	IP66

ELECTRICAL

Input Voltage	PoE(IEEE802.3af, Class2)
Power Consumption	Max 6.4W, Typical 5.0W

MECHANICAL

Colour / Material	Dark grey / Plastic
Product dimensions / weight	Ø78.0x262.0mm(Ø3.07x10.31"), 390g(0.86lb)

DORI

Detect (25PPM/ 8PPF)	42.4m(139.17ft)
Observe (63PPM/ 19PPF)	17.0m(55.67ft)
Recognize (125PPM/ 38PPF)	8.5m(27.83ft)
Identify (250PPM/ 76PPF)	4.2m(13.92ft)

* The latest product information / specification can be found at hanwha-security.com

* Design and specifications are subject to change without notice.

* Wisenet is the proprietary brand of Hanwha Techwin.