

## DS-2TD2617-6/PA Thermal & Optical Network Bullet Camera

DeepinView<sup>series</sup>



Hikvision DS-2TD2617-6/PA Thermal Bi-spectrum Network Bullet Camera, equipped with built-in GPU which supports intelligent behavior analysis algorithm, can realize high-precision VCA detection and real-time alarm. It is applied to perimeter defense and fire-prevention purposes in critical infrastructures such as community, villa, construction site, factory, 4S stores, and so on. The pre-alarm system helps you discover unexpected events immediately and protects your property.

### Smart Function (Thermal Imaging)

- Image processing technology: adaptive AGC, DDE, 3D DNR, NETD  $\leq 40$  mk (@25 °C, F# = 1.1)
- Behavior analysis function, based on deep learning algorithm: line crossing, intrusion, region entrance & exit
- Temperature exception alarm
- Fire detection algorithm
- Bi-spectrum image fusion, picture in picture preview
- Strobe light and audio alarm

### Thermal Imaging Module Function

- 160 × 120 (the resolution of output image is 320 × 240) resolution sensor, and high sensitivity sensor
- 3D DNR, 15 palettes of color adjustable, image detail enhancement, and contrast adjustment
- Mirror image, digital zoom ×2, ×4, ×8



## Specification

Thermal Module	
Image Sensor	Vanadium Oxide Uncooled Focal Plane Arrays
Max. Resolution	160 × 120 (the resolution of output image is 320 × 240)
Pixel Interval	17μm
Response Waveband	8 μm to 14 μm
NETD (Noise Equivalent Temperature Difference)	≤ 40 mk (@25 °C, F# = 1.1)
Lens (Focal Length)	6.2 mm
IFOV	2.74 mrad
Field of View	25° × 18.7° (H × V)
Min. Focusing Distance	0.6 m
Aperture	F 1.1
Optical Module	
Max. Image Resolution	2688 × 1520
Image Sensor	1/2.7" Progressive Scan CMOS
Min. Illumination	Color: 0.0089 Lux @(F1.6, AGC ON), B/W: 0.0018 Lux @(F1.6, AGC ON)
Shutter Speed	1 s to 1/100,000 s
Lens (Focal Length)	8 mm
Field of View	39.42° × 22.14° (H × V)
WDR	120 dB
Day & Night	IR cut filter with auto switch
Image Function	
Bi-spectrum Image Fusion	Fusion view of thermal view and overlaid details of the optical channel
Picture in Picture	Combines details of thermal and optical image PIP, overlay thermal image on optical image
Smart Function	
VCA (Video Content Analysis)	4 VCA rule types (line crossing, intrusion, region entrance, and region exiting), up to 8 VCA rules in total.
Temperature Measurement	3 temperature measurement rule types, 21 rules in total (10 points, 10 areas, and 1 line).
Temperature Range	-20 °C to + 150 °C (-4 °F to + 302°F)
Temperature Accuracy	± 8 °C (± 14.4 °F)
Fire Detection	Dynamic fire point detection, up to 10 fire points detectable.
Infrared	
IR Distance	Up to 40 m
IR Intensity and Angle	Automatically adjusted

Network	
Main Stream	Visible Light: 50Hz: 25fps (2688 × 1520), 25fps (1920 × 1080), 25fps (1280 × 720) Visible Light: 60Hz: 30fps (2688 × 1520), 30fps (1920 × 1080), 30fps (1280 × 720) Thermal: 1280 × 720, 704 × 576, 640 × 480, 352 × 288, 320 × 240
Sub-stream	Visible Light: 50Hz: 25fps (704 × 576), 25fps (352 × 288), 25fps (176 × 144) Visible Light: 60Hz: 30fps (704 × 480), 30fps (352 × 240), 30fps (176 × 120) Thermal: 704 × 576, 352 × 288, 320 × 240
Video Compression	H.265/H.264/MJPEG
Audio Compression	G.711u/G.711a/G.722.1/MP2L2/G.726/PCM
Protocols	IPv4/IPv6, HTTP, HTTPS, 802.1x, Qos, FTP, SMTP, UPnP, SNMP, DNS, DDNS, NTP, RTSP, RTCP, RTP, TCP, UDP, IGMP, ICMP, DHCP, PPPoE
Simultaneous Live View	Up to 20
User/Host Level	Up to 32 users, 3 levels: Administrator, Operator, User
Security Measures	User authentication (ID and PW), MAC address binding, HTTPS encryption, IEEE 802.1x access control, IP address filtering
Integration	
Alarm Input	2-ch inputs (0-5 VDC)
Alarm Output	2-ch relay outputs, alarm response actions configurable
Alarm Action	SD recording/relay output/smart capture/FTP upload/email linkage/audio alarm/white light alarm
Audio Input	1, 3.5 mm Mic in/Line in interface. Line input: 2 to 2.4 V [p-p], output impedance: 1 KΩ ± 10%
Audio Output	Linear level, impedance: 600 Ω
Reset	1, Reset Button
Communication Interface	1, RJ45 10M/100M self-adaptive Ethernet interface. 1, RS-485 interface
SD Memory Card	Built-in micro SD card slot, support Micro SD/SDHC/SDXC card (up to 128 GB) Supports manual/alarm recording
Analog Video Output	1.0 V [p-p]/75 Ω, PAL/NTSC
Application Programming	Open-ended API, support ISAPI, HIKVISION SDK and third-party management platform
Client	iVMS-4200, Hik-Connect
Web Browser	IE9+, Chrome 31-44, Firefox 30-51, Safari 5.02+(mac)
General	
Menu language	32 languages English, Russian, Estonian, Bulgarian, Hungarian, Greek, German, Italian, Czech, Slovak, French, Polish, Dutch, Portuguese, Spanish, Romanian, Danish, Swedish, Norwegian, Finnish, Croatian, Slovenian, Serbian, Turkish, Korean, Traditional Chinese, Thai, Vietnamese, Japanese, Latvian, Lithuanian, Portuguese (Brazil)
Power	12 VDC ± 20%, two-core terminal block PoE (802.3af, class 3)
Power Consumption	12 VDC ± 20%: 0.65 A, max. 7.5 W PoE (802.3af, class 3): 42.5 V to 57 V, 0.14 A to 0.22 A, max. 8 W
Working Temperature/Humidity	Temperature: -40 °C to 65 °C (-40 °F to 149 °F) Humidity: 95% or less

Protection Level	IP66 Standard TVS 6000V lightning protection, surge protection, voltage transient protection
Dimensions	358.3 mm × 113.5 mm × 115.2 mm (14.10" × 4.47" × 4.53")
Weight	Approx. 1.76 kg (3.88 lb)

## Detection Range Table

\* The table is only for reference and the performance may vary from camera to camera.

### Smart Functions Range

Different targets trigger the VCA events within different range limits.

VCA Range (Vehicles: 1.4 × 4.0 m)	VCA Range (Humans: 1.8 × 0.5 m)	Temperature Measurement (Object: 2 × 2 m)	Temperature Measurement (Object: 1 × 1 m)	Fire Detection (Object: 2 × 2 m)	Fire Detection (Object: 1 × 1 m)
126 m	42 m	132 m	66 m	360 m	180 m

### Wide Range Coverage

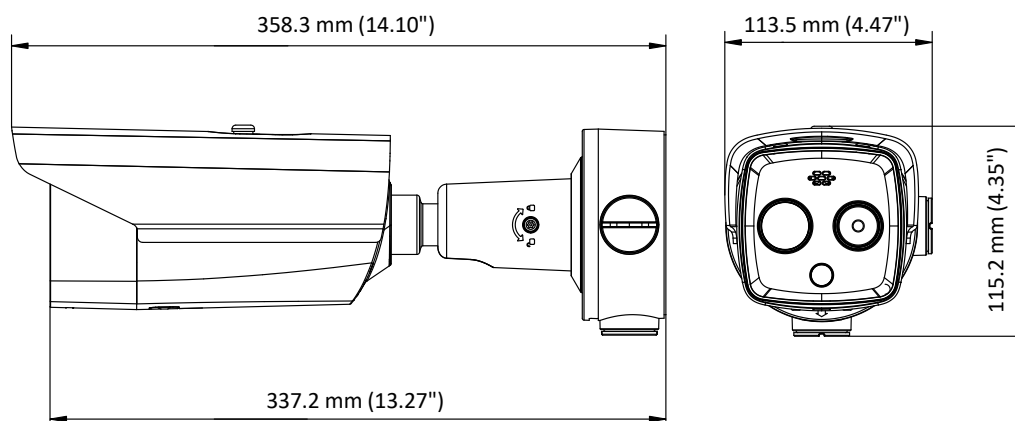
There is range limit for detecting, recognizing, and identifying human/vehicle targets.

Detection Range (Vehicles: 1.4 × 4.0 m)	Detection Range (Humans: 1.8 × 0.5 m)	Recognition Range (Vehicles: 1.4 × 4.0 m)	Recognition Range (Humans: 1.8 × 0.5 m)	Identification Range (Vehicles: 1.4 × 4.0 m)	Identification Range (Humans: 1.8 × 0.5 m)
559 m	182 m	140 m	46 m	70 m	23 m

### Available Model

DS-2TD2617-6/PA

### Dimension



Distributed by

**HIKVISION®****Headquarters**

No.555 Qianmo Road, Binjiang District,  
Hangzhou 310051, China  
T +86-571-8807-5998  
overseasbusiness@hikvision.com

**Hikvision USA**  
T +1-909-895-0400  
sales.usa@hikvision.com

**Hikvision Australia**  
T +61-2-8599-4233  
salesau@hikvision.com

**Hikvision India**  
T +91-22-28469900  
sales@pramahikvision.com

**Hikvision Canada**  
T +1-866-200-6690  
sales.canada@hikvision.com

**Hikvision Thailand**  
T +662-275-9949  
sales.thailand@hikvision.com

**Hikvision Europe**  
T +31-23-5542770  
sales.eu@hikvision.com

**Hikvision Italy**  
T +39-0438-6902  
info.it@hikvision.com

**Hikvision Brazil**  
T +55 11 3318-0050  
Latam.support@hikvision.com

**Hikvision Turkey**  
T +90 (216)521 7070- 7074  
sales.tr@hikvision.com

**Hikvision Malaysia**  
T +601-7652-2413  
sales.my@hikvision.com

**Hikvision UK & Ireland**  
T +01628-902140  
sales.uk@hikvision.com

**Hikvision South Africa**  
Tel: +27 (10) 0351172  
sale.africa@hikvision.com

**Hikvision France**  
T +33(0)1-85-330-450  
info.fr@hikvision.com

**Hikvision Kazakhstan**  
T +7-727-9730667  
nikia.panfilov@hikvision.ru

**Hikvision Vietnam**  
T +84-974270888  
sales.vt@hikvision.com

**Hikvision UAE**  
T +971-4-4432090  
salesme@hikvision.com

**Hikvision Singapore**  
T +65-6684-4718  
sg@hikvision.com

**Hikvision Spain**  
T +34-91-737-16-55  
info.es@hikvision.com

**Hikvision Tashkent**  
T +99-87-1238-9438  
uzb@hikvision.ru

**Hikvision Hong Kong**  
T +852-2151-1761  
info.hk@hikvision.com

**Hikvision Russia**  
T +7-495-669-67-99  
saleru@hikvision.com

**Hikvision Korea**  
T +82-(0)31-731-8817  
sales.korea@hikvision.com

**Hikvision Poland**  
T +48-22-460-01-50  
info.pl@hikvision.com

**Hikvision Indonesia**  
T +62-21-2933759  
Sales.Indonesia@hikvision.com

**Hikvision Colombia**  
sales.colombia@hikvision.com