

## DS-1M Series RJ45 Plug

### Features and Functions

- 15u inch gold plated contacts
- Support 1000 Base-T Ethernet
- Compliant With ROHS Standard
- 8 pins × 8 conductors



DS-1M01



DS-1M02

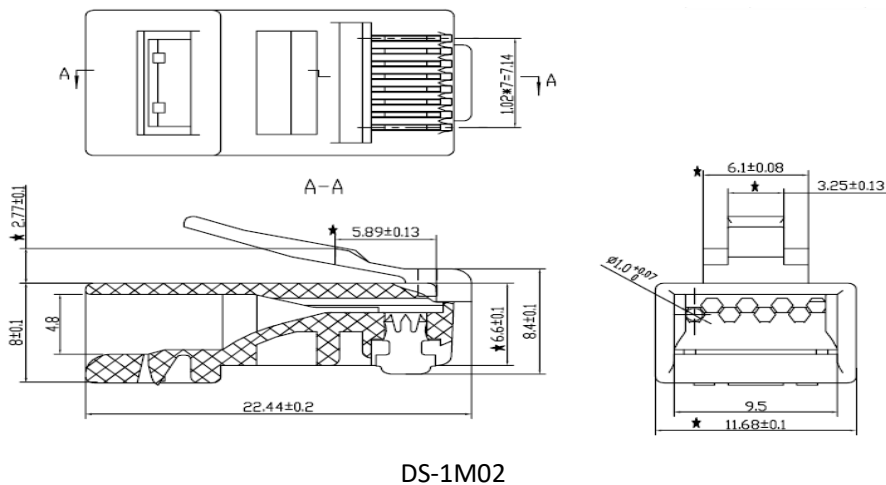
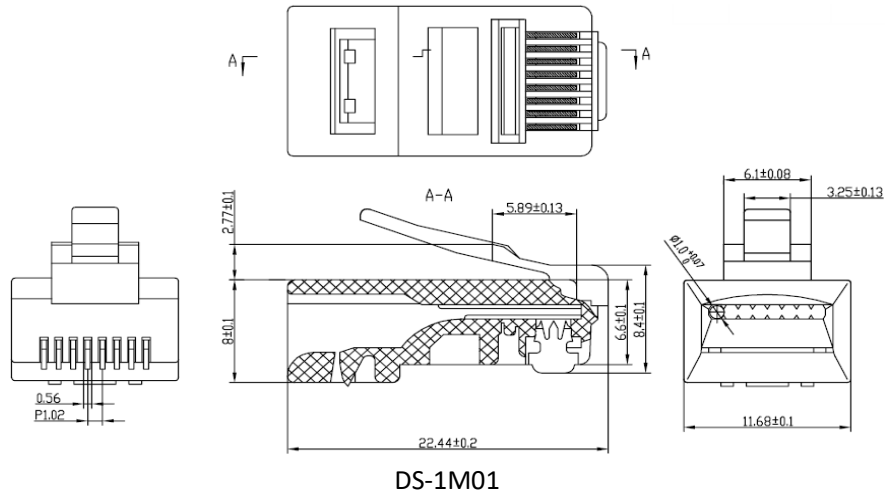


## Specifications

Item	DS-1M01	DS-1M02
MAX Current	1.5A @25°C	
MAX Voltage	≤150VAC	
Insulation Resistance	≥1000MΩ @100V DC	
Withstand voltage	1KV AC RMS	
Contact Resistance	≤20 mΩ	
Tensile Strength	50N for 60s±5s	
Insert/Extraction life	≥750 cycles	
Operating temperature	-25~55°C	
Storage temperature	-10~40°C	
Relative humidity	<80%	
Plug Housing	Polycarbonate, UL94V-2	
Conductor	Copper alloy + 15u inch gold plating	

Note: DS-1M01 is for Cat5e , DS-1M02 is for Cat6

## Mechanical (mm)



Distributed by

### Headquarters

No.555 Qianmo Road, Binjiang District,  
Hangzhou 310051, China  
T +86-571-8807-5998  
overseasbusiness@hikvision.com

**Hikvision USA**  
T +1-909-895-0400  
sales.usa@hikvision.com

**Hikvision Italy**  
T +39-0438-6902  
info.it@hikvision.com

**Hikvision Singapore**  
T +65-6884-4718  
sg@hikvision.com

**Hikvision Europe**  
T +31-23-5542770  
saleseuro@hikvision.com

**Hikvision France**  
T +33(0)1-85-330-444  
info.fr@hikvision.com

**Hikvision Oceania**  
T +61-2-8599-4233  
salesau@hikvision.com

**Hikvision Middle East**  
T +971-4-8816086  
salesme@hikvision.com

**Hikvision Spain**  
T +34-91-737-16-55  
info.es@hikvision.com

**Hikvision Hong Kong**  
T +852-2151-1761

**Hikvision Russia**  
T +7-495-669-67-99  
saleru@hikvision.com

**Hikvision Poland**  
T +48-22-460-01-50  
poland@hikvision.com

**Hikvision Canada**  
T +1-909-895-0400  
sales.usa@hikvision.com

**Hikvision India**  
T +91-22-28469900  
sales@pramahikvision.com

**Hikvision UK**  
T +44-1628-9021-4  
support.uk@hikvision.com