

## DS-2TD4237-25/V2 Thermal & Optical Bi-spectrum Network Speed Dome

DeepinView<sup>series</sup>



Hikvision DS-2TD4237-25/V2 Thermal & Optical Bi-spectrum Network Speed Dome equipped with built-in GPU which support intelligent behavior analysis algorithm, can realize high precision VCA detection and real-time alarm. It is applied to perimeter defense and fire-prevention purposes in critical infrastructures such as: airport, railway, prison, power station, 4S stores, and so on. The pre-alarm system helps you discover unexpected events immediately and protects you from property loss.

### Smart Function (Thermal Imaging)

- Leading image processing technology: Adaptive AGC, DDE, 3D DNR, NETD less than 40 mK (25°C), F#=1.0
- Smart tracking: Panorama tracking, Event tracking and Multi-scene patrol tracking
- Smart tracking linkage: thermal view and optical view
- Powerful behavior analysis algorithm: Line crossing, Intrusion, Region Entrance & Exit
- Reliable temperature exception alarm function
- Advanced fire detection algorithm

### Thermal Imaging Module Function

- 384 × 288 (the resolution of output image is 1280 × 720) resolution sensor, high sensitivity sensor, support contrast adjustment
- Shutter adjustment in various modes
- 3D DNR, 15 palettes of color adjustable, image detail enhancement



## Specification

Thermal Module	
Image Sensor	Vanadium Oxide Uncooled Focal Plane Arrays
Max. Resolution	384 × 288 (the resolution of output image is 1280 × 720)
Pixel Interval	17μm
Response Waveband	8μm to 14μm
NETD	less than 40 mK (25°C), F#=1.0
Lens (Focal Length)	25 mm
IFOV	0.68 mrad
Field of View	14.88° × 11.19° (H × V) (H × V)
Min. Focusing Distance	13 m
Aperture	F1.0
Optical Module	
Image Sensor	1/2.8" Progressive Scan CMOS
Max. Image Resolution	1920 × 1080
Min. Illumination	Color: 0.05 Lux @(F1.2,AGC ON), B/W: 0.01 Lux @(F1.2, AGCON)
Lens (Focal Length)	4.8-153mm
Field of View	horizontal FOV 58.4° to 2.14°, vertical FOV 33.8° to 1.2°, diagonal FOV 65.6° to 2.46°
Aperture Range	F1.2-F4.4
Focus Mode	Auto / Semiautomatic / Manual
WDR	120 dB
Shutter Speed	1s to 1/100,000s
Day & Night	IR cut filter
Smart Function	
VCA (Video Content Analysis)	4 VCA rule types (Line Crossing, Intrusion, Region Entrance, and Region Exiting), up to 8 VCA rules.
Temperature Measurement	3 temperature measurement rule types, 21 rules (10 points, 10 areas, and 1 line).
Temperature Range	-20 °C to +150 °C (-4 °F to +302°F)
Temperature Accuracy	± 8 °C (± 14.4 °F)
Fire detection	Indoor dynamic fire point detection, up to 10 fire points detectable.
Smoke detection	Indoor smoke detection, up to 10 smoke detectable.
PTZ	
Movement Range	Pan: 360° Continuous Rotate; Tilt: From -5° to +90° (auto flip)
Pan Speed	0.1°/s to 200°/s
Tilt Speed	0.1°/s to 105°/s
Proportional Zoom	Yes
Presets	300
Patrol Scan	8; Up to 32 Presets Per Patrol
Pattern Scan	4; More Than 10 Minutes Per Pattern

Power Off Memory	Yes
Park	Preset/Pattern Scan/Patrol Scan/Auto Scan/Tilt Scan/Random Scan/Frame Scan/Panorama Scan
PT Status	Turn On/Turn Off
Scheduled Task	Preset/Pattern Scan/Patrol Scan/Auto Scan/Tilt Scan/Random Scan/Frame Scan/Panorama Scan/Doom Reboot/Doom Adjust/Aux Output
<b>Infrared</b>	
IR Distance	Up to 100 m
IR Intensity and Angle	Auto Adjust
<b>Network</b>	
Main Stream	Visible Light: 50Hz: 25fps (1920 × 1080), 25fps (1280 × 960), 25fps (1280 × 720) Visible Light: 60Hz: 30fps (1920 × 1080), 30fps (1280 × 960), 30fps (1280 × 720) Thermal: 25fps(1280 × 720), 25fps(704 × 546), 25fps(384 × 288), 25fps(352 × 288)
Sub Stream	Visible Light: 50Hz: 25fps (704 × 576), 25fps (352 × 288) Visible Light: 60Hz: 30fps (704 × 480), 30fps (352 × 288) Thermal: 25fps(704 × 546), 25fps(384 × 288), 25fps(352 × 288)
Video Compression	H.265 (Main Profile) H.264 (Baseline/Main/High Profile)
Audio Compression	G.711u/G.711a/G.722.1/MP2L2/G.726/PCM
Protocols	TCP/IP, ICMP, HTTP, HTTPS, FTP, DHCP, DNS, DDNS, RTP, RTSP, RTCP, PPPoE, NTP, UPnP, SMTP, SNMP, IGMP, 802.1X, QoS, IPv6, UDP, Bonjour
Simultaneous Live View	Up to 20-ch
User/Host level	Up to 32 users, 3 levels: Administrator, Operator, User
Security Measures	User authentication (ID and PW), MAC address binding, HTTPS encryption, IEEE 802.1x access control, IP address filtering
<b>Integration</b>	
Alarm Input	Up to 7-ch inputs (0-5V DC)
Alarm Output	Up to 2-ch relay outputs, alarm response actions configurable
Alarm Action	Preset/Patrol Scan/Pattern Scan/SD Card Record/Relay Output/Smart capture/FTP upload/Email linkage
Audio Input	1 3.5mm Mic in/Line in interface. Line input: 2-2.4V[p-p], output impedance:1KΩ±10%
Audio Output	Linear Level; Impedance: 600Ω
Reset	1 Reset Button
Ethernet	1 RJ45 10M/100M Self-adaptive Ethernet interface, 1 RS-485 interface
SD Memory Card	Built-in Micro SD card slot, support Micro SD/SDHC/SDXC card (up to 256G), support manual/alarm recording
Analog Video Output	1.0V [p-p]/75Ω, PAL/NTSC/BNC
Application Programming	Open-ended API, support ISAPI, HIKVISION SDK and third-party management platform
Client	iVMS-4200
Web Browser	IE9+, chrome31-chrome44, Firefox 30-Firefox51, Safari 5.02+(mac)

<b>General</b>	
Menu language	English
Power	24 V AC± 25%
Power Consumption	30W
Working Temperature/Humidity	-30 °C to 60 °C (-22 °F to 140 °F), 90% or less
Protection Level	IP66 Standard TVS 6000V Lightning protection, surge protection, voltage transient protection
Dimensions	305 mm × 185 mm × 163 mm (12.01 " × 7.28" × 6.42 ")
Weight	3.9Kg (8.6lb)

## Detection Range Table

\* The table is only for reference, the performance may vary from camera to camera.

### Smart functions Range

Different targets trigger the VCA events within different range limits.

VCA Range (Vehicles: 1.4×4.0m)	VCA Range (Humans: 1.8×0.5m)	Temperature Measurement (Object:2×2 m)	Temperature measurement (Object:1×1 m)	Fire Detection (Object:2×2 m)	Fire Detection (Object:1×1 m)
750 m	250 m	585 m	295 m	1470 m	735 m

### Wide Range Coverage

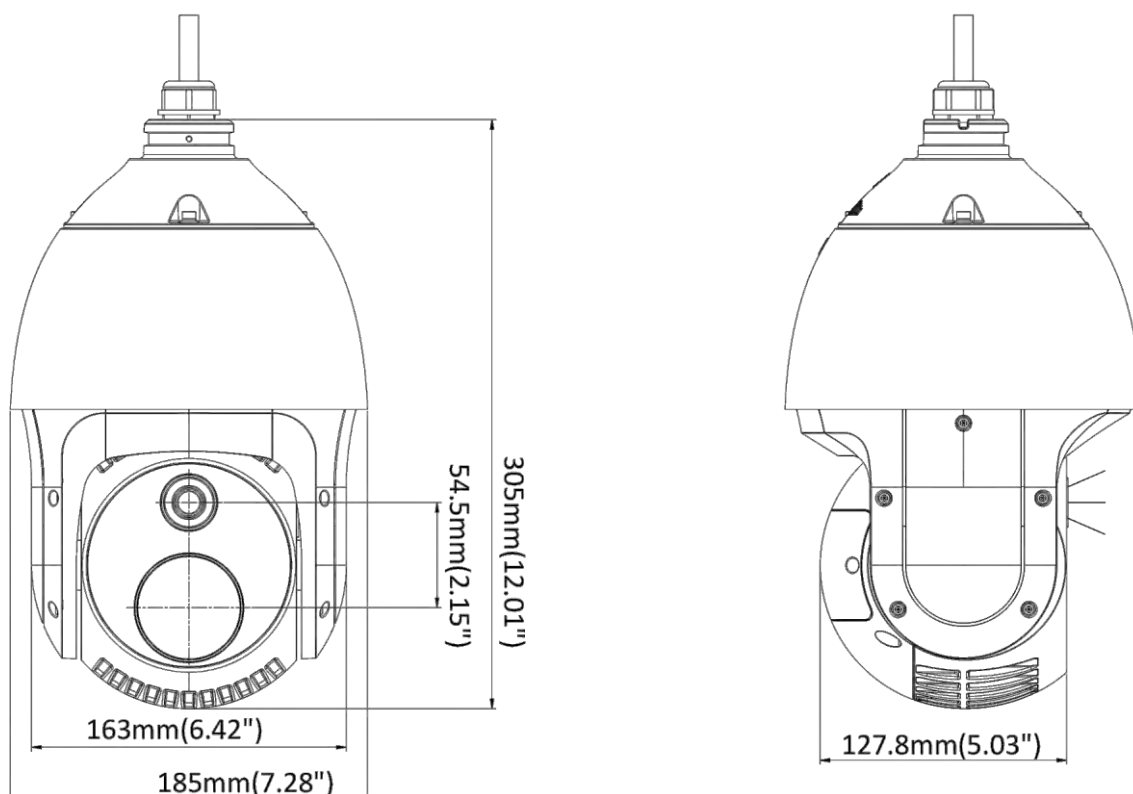
There is range limit for detecting, recognizing, and identifying human/vehicle targets.

Detection Range (Vehicles: 1.4×4.0m)	Detection Range (Humans: 1.8×0.5m)	Recognition Range (Vehicles: 1.4×4.0m)	Recognition Range (Humans: 1.8×0.5m)	Identification Range (Vehicles: 1.4×4.0m)	Identification Range (Humans: 1.8×0.5m)
2255 m	735 m	564 m	184 m	282 m	92 m

### Available Model

DS-2TD4237-25/V2

### Dimension



Distributed by

**HIKVISION®****Headquarters**

No.555 Qianmo Road, Binjiang District,  
Hangzhou 310051, China  
T +86-571-8807-5998  
overseasbusiness@hikvision.com

**Hikvision USA**  
T +1-909-895-0400  
sales.usa@hikvision.com

**Hikvision Australia**  
T +61-2-8599-4233  
salesau@hikvision.com

**Hikvision India**  
T +91-22-28469900  
sales@pramahikvision.com

**Hikvision Canada**  
T +1-866-200-6690  
sales.canada@hikvision.com

**Hikvision Thailand**  
T +662-275-9949  
sales.thailand@hikvision.com

**Hikvision Europe**  
T +31-23-5542770  
sales.eu@hikvision.com

**Hikvision Italy**  
T +39-0438-6902  
info.it@hikvision.com

**Hikvision Brazil**  
T +55 11 3318-0050  
Latam.support@hikvision.com

**Hikvision Turkey**  
T +90 [216]521 7070- 7074  
sales.tr@hikvision.com

**Hikvision Malaysia**  
T +601-7652-2413  
sales.my@hikvision.com

**Hikvision UK & Ireland**  
T +01628-902140  
sales.uk@hikvision.com

**Hikvision South Africa**  
Tel: +27 (10) 0351172  
sale.africa@hikvision.com

**Hikvision France**  
T +33(0)1-85-330-450  
info.fr@hikvision.com

**Hikvision Kazakhstan**  
T +7-727-9730667  
nikia.panfilov@hikvision.ru

**Hikvision Vietnam**  
T +84-974270888  
sales.vt@hikvision.com

**Hikvision UAE**  
T +971-4-4432090  
salesme@hikvision.com

**Hikvision Singapore**  
T +65-6684-4718  
sg@hikvision.com

**Hikvision Spain**  
T +34-91-737-16-55  
info.es@hikvision.com

**Hikvision Tashkent**  
T +99-87-1238-9438  
uzb@hikvision.ru

**Hikvision Hong Kong**  
T +852-2151-1761  
info.hk@hikvision.com

**Hikvision Russia**  
T +7-495-669-67-99  
saleru@hikvision.com

**Hikvision Korea**  
T +82-[0]31-731-8817  
sales.korea@hikvision.com

**Hikvision Poland**  
T +48-22-460-01-50  
info.pl@hikvision.com

**Hikvision Indonesia**  
T +62-21-2933759  
Sales.Indonesia@hikvision.com

**Hikvision Colombia**  
sales.colombia@hikvision.com