

## DS-1604ZJ-Corner-P

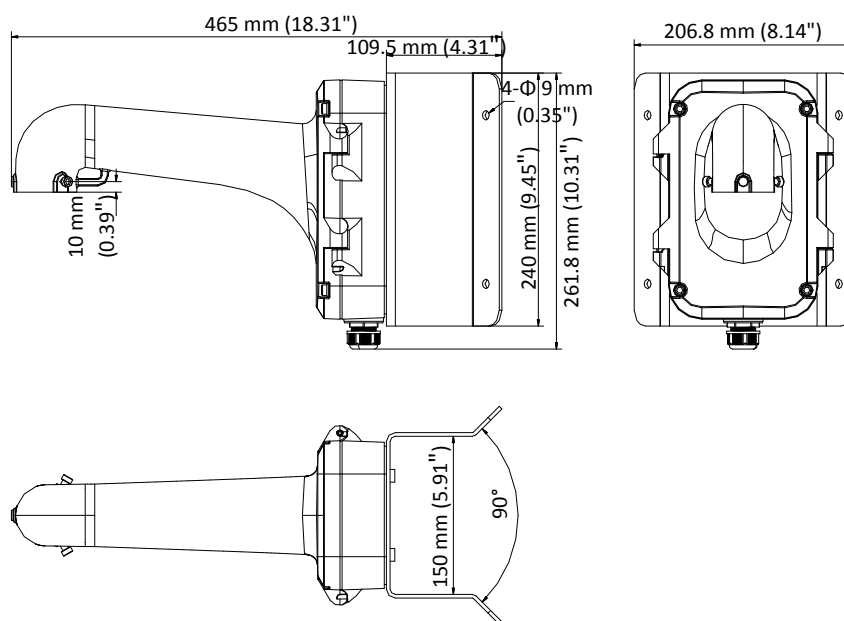
Corner Mount for Speed Dome



### Feature

- Corner mount with the junction box
- Aluminum alloy and steel with surface spray treatment
- Waterproof design
- Bottom outlet, and back outlet
- The hook for safety rope facilitates speed dome's installation

### Dimension



### Available Model

DS-1604ZJ-Corner-P

### Parameter

Model	DS-1604ZJ-Corner-P
Parameters	Corner Mount for Speed Dome
Appearance	Platinum Gray
Material	Aluminum Alloy and Steel
Dimension	465 mm × 206.8 mm × 261.8 mm (18.31" × 8.14" × 10.31")
Weight	4.3 kg (9.48 lb.)

### Note

- The mount should be installed on the flat surface.
- Waterproof rubber is necessary for the outdoor application.
- The wall must be capable of supporting at least 3 times as much as the total weight of the speed dome, and the mount.
- The mount's maximum load capacity is 10 kg (22 lb.).